



Chipsmall Limited consists of a professional team with an average of over 10 year of expertise in the distribution of electronic components. Based in Hongkong, we have already established firm and mutual-benefit business relationships with customers from,Europe,America and south Asia,supplying obsolete and hard-to-find components to meet their specific needs.

With the principle of "Quality Parts,Customers Priority,Honest Operation,and Considerate Service",our business mainly focus on the distribution of electronic components. Line cards we deal with include Microchip,ALPS,ROHM,Xilinx,Pulse,ON,Everlight and Freescale. Main products comprise IC,Modules,Potentiometer,IC Socket,Relay,Connector.Our parts cover such applications as commercial,industrial, and automotives areas.

We are looking forward to setting up business relationship with you and hope to provide you with the best service and solution. Let us make a better world for our industry!



Contact us

Tel: +86-755-8981 8866 Fax: +86-755-8427 6832

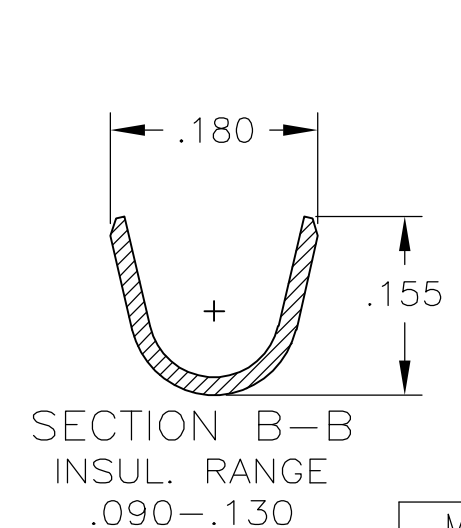
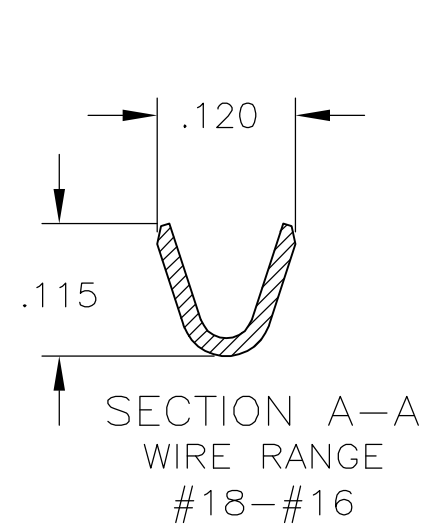
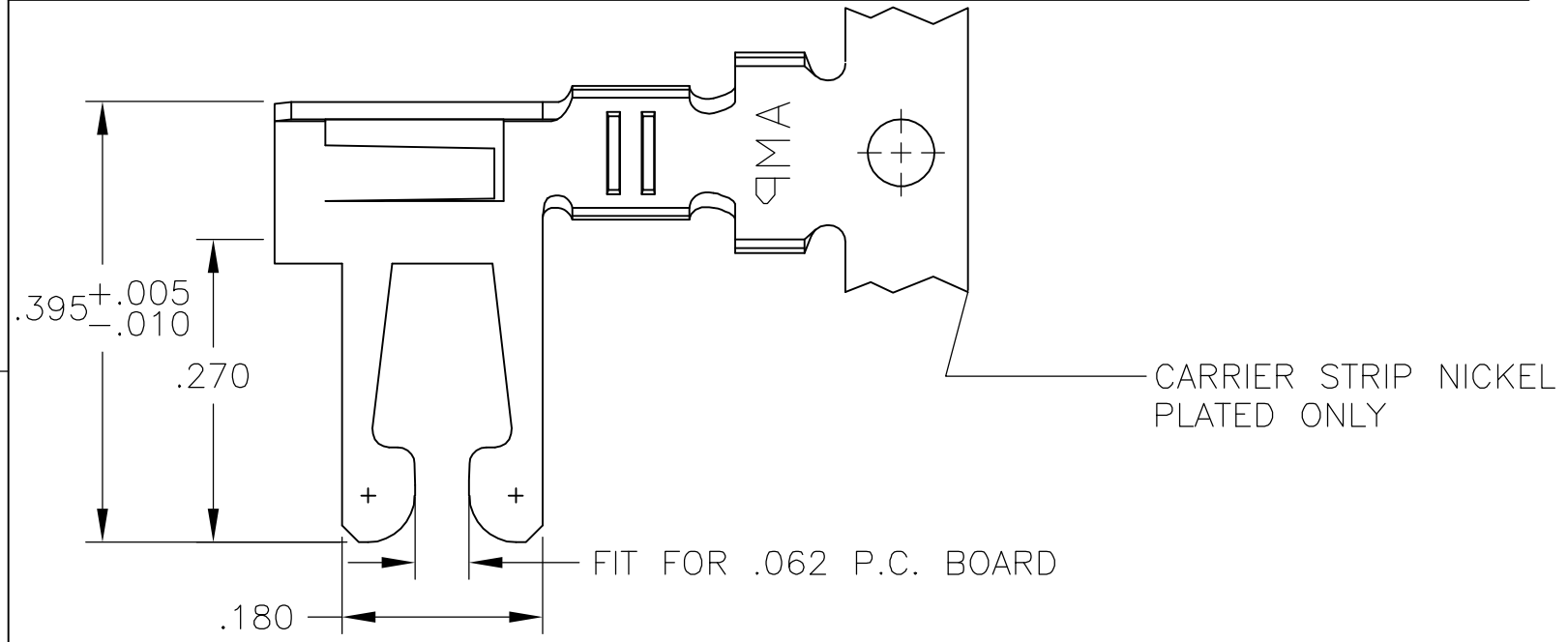
Email & Skype: info@chipsmall.com Web: www.chipsmall.com

Address: A1208, Overseas Decoration Building, #122 Zhenhua RD., Futian, Shenzhen, China



THIS DRAWING IS UNPUBLISHED. RELEASED FOR PUBLICATION
 © COPYRIGHT BY TYCO ELECTRONICS CORPORATION. ALL RIGHTS RESERVED.

LOC	DIST	REVISIONS			
P	LTR	DESCRIPTION	DATE	DWN	APVD
AD	00	F1	ECO-05-014547	21APR2006	RB MM



- TO BE USED IN HOUSING WITH INSULATION CAVITY SIZE OF .125 X .155.
- $\triangle 2$.000030 GOLD OVER .000050 NICKEL IN CONTACT AREA. .000050 NICKEL ON REMAINDER OF CONTACT.
- $\triangle 3$.000015 GOLD OVER .000050 NICKEL IN CONTACT AREA. REMAINDER OF CONTACT .000050 NICKEL.
- $\triangle 4$ L-R FEED FOR MINI-APPL.

FINISH	PART NUMBER
MATTE TIN PLATE	$\triangle 4$ 530505-8
OBSOLETE	$\triangle 3$ $\triangle 4$ 530505-7
OBSOLETE	$\triangle 2$ $\triangle 4$ 530505-6
TIN PLATE	$\triangle 4$ 530505-5
OBSOLETE	$\triangle 3$ 530505-4
OBSOLETE	$\triangle 2$ 530505-3
OBSOLETE	TIN PLATE 530505-2

THIS DRAWING IS A CONTROLLED DOCUMENT.		DWN M.BINNER 03APR01	Tyco Electronics Corporation Harrisburg, PA 17105-3608													
DIMENSIONS: INCHES		CHK M.MILLER 05APR01														
TOLERANCES UNLESS OTHERWISE SPECIFIED:		APVD M.MILLER 05APR01	NAME CONTACT, 22-18 AWG, DUO-TYNE FLAG WITH TAPERED BEAMS													
<table border="1"> <tr><td>0 PLC</td><td>± -</td></tr> <tr><td>1 PLC</td><td>± -</td></tr> <tr><td>2 PLC</td><td>± -</td></tr> <tr><td>3 PLC</td><td>± .005</td></tr> <tr><td>4 PLC</td><td>± .0005</td></tr> <tr><td>ANGLES</td><td>± -</td></tr> </table>		0 PLC	± -	1 PLC	± -	2 PLC	± -	3 PLC	± .005	4 PLC	± .0005	ANGLES	± -	PRODUCT SPEC -	SIZE A3 CAGE CODE 00779 DRAWING NO C-530505 RESTRICTED TO -	
0 PLC	± -															
1 PLC	± -															
2 PLC	± -															
3 PLC	± .005															
4 PLC	± .0005															
ANGLES	± -															
MATERIAL PHOS BRONZE	FINISH SEE TABLE	APPLICATION SPEC -	SCALE 6:1 SHEET 1 OF 1 REV F1													
MATERIAL PHOS BRONZE		WEIGHT -	CUSTOMER DRAWING													