



Chipsmall Limited consists of a professional team with an average of over 10 year of expertise in the distribution of electronic components. Based in Hongkong, we have already established firm and mutual-benefit business relationships with customers from,Europe,America and south Asia,supplying obsolete and hard-to-find components to meet their specific needs.

With the principle of “Quality Parts,Customers Priority,Honest Operation,and Considerate Service”,our business mainly focus on the distribution of electronic components. Line cards we deal with include Microchip,ALPS,ROHM,Xilinx,Pulse,ON,Everlight and Freescale. Main products comprise IC,Modules,Potentiometer,IC Socket,Relay,Connector.Our parts cover such applications as commercial,industrial, and automotives areas.

We are looking forward to setting up business relationship with you and hope to provide you with the best service and solution. Let us make a better world for our industry!



Contact us

Tel: +86-755-8981 8866 Fax: +86-755-8427 6832

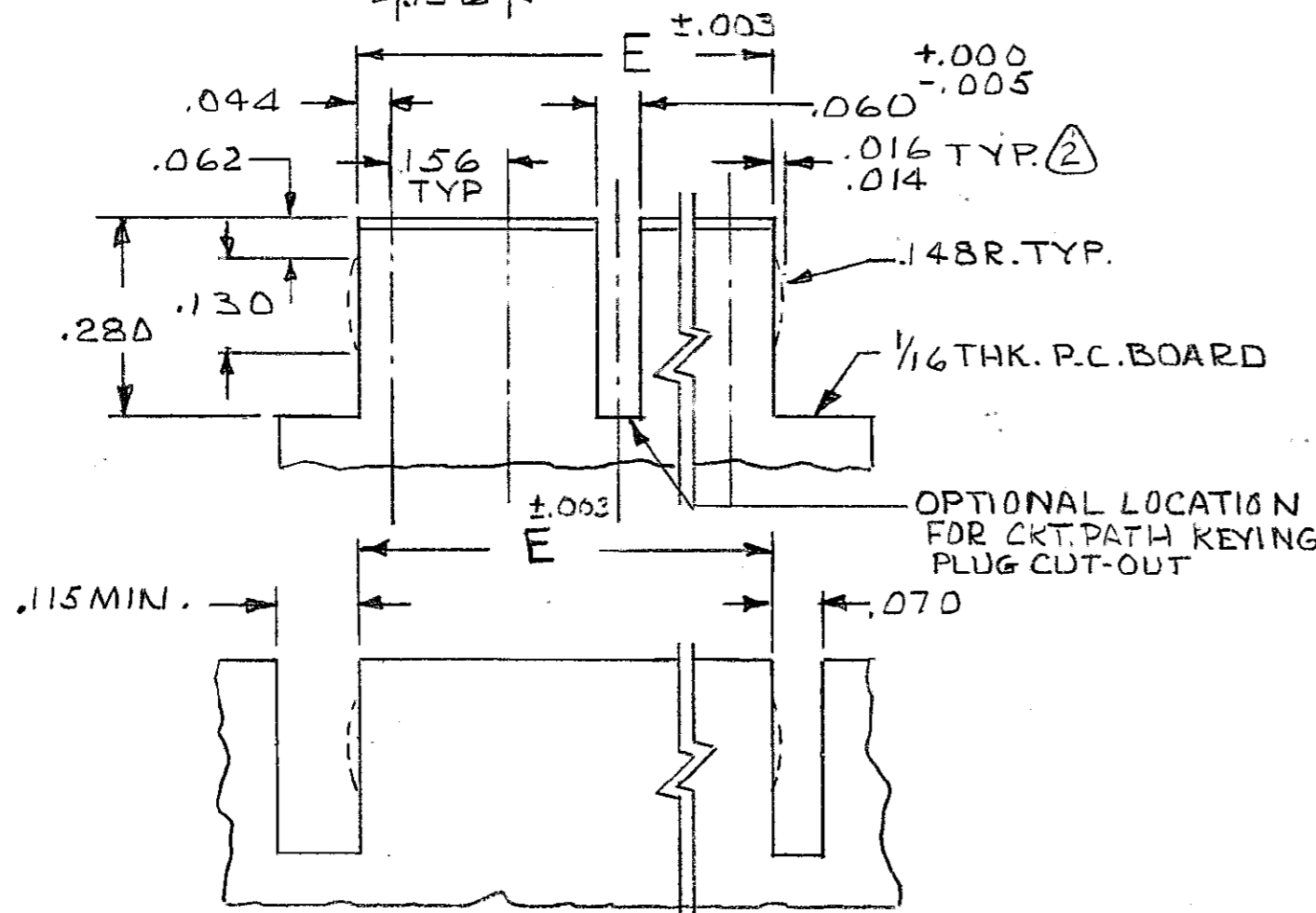
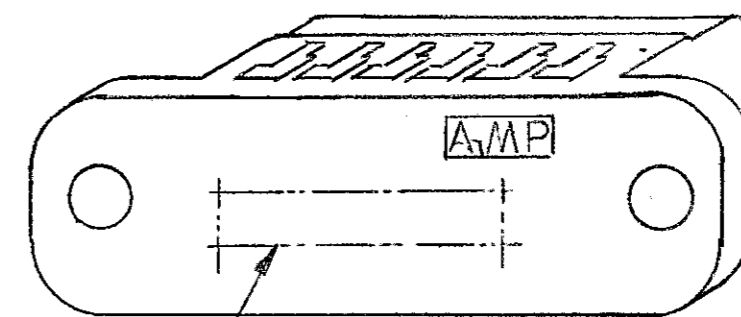
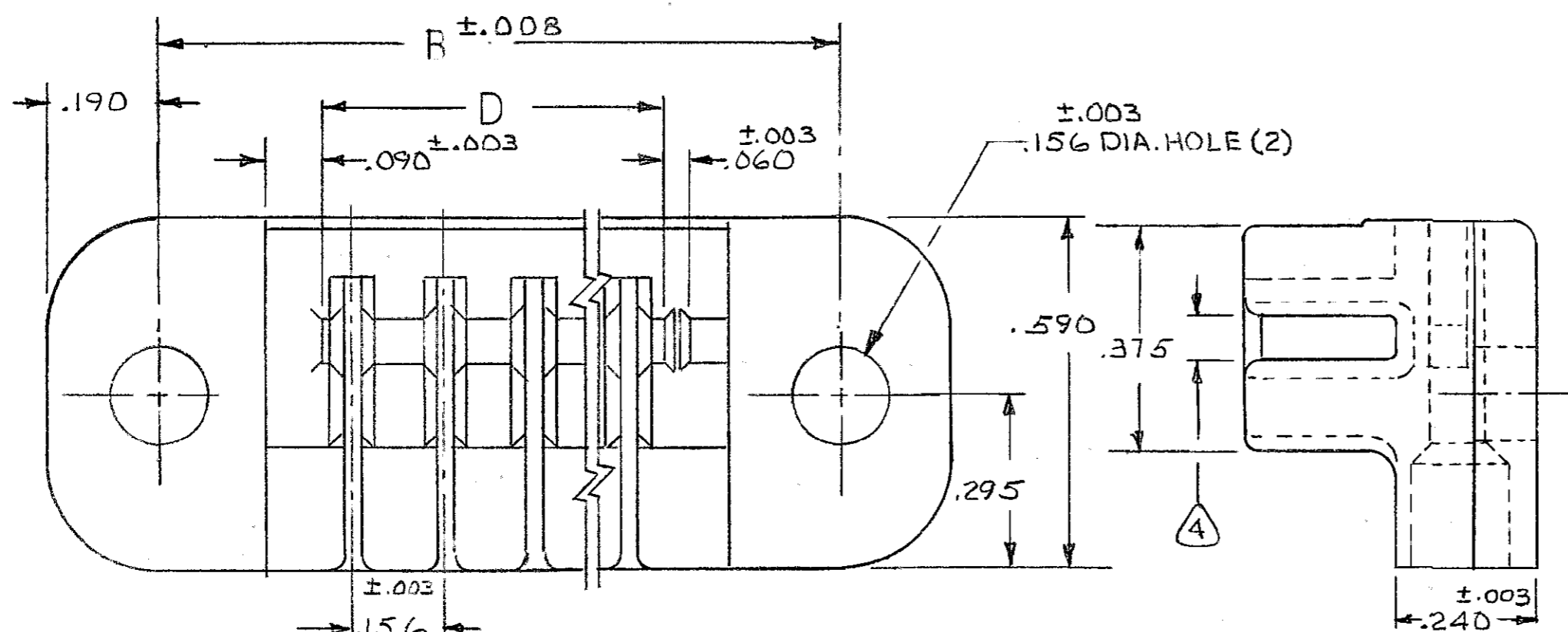
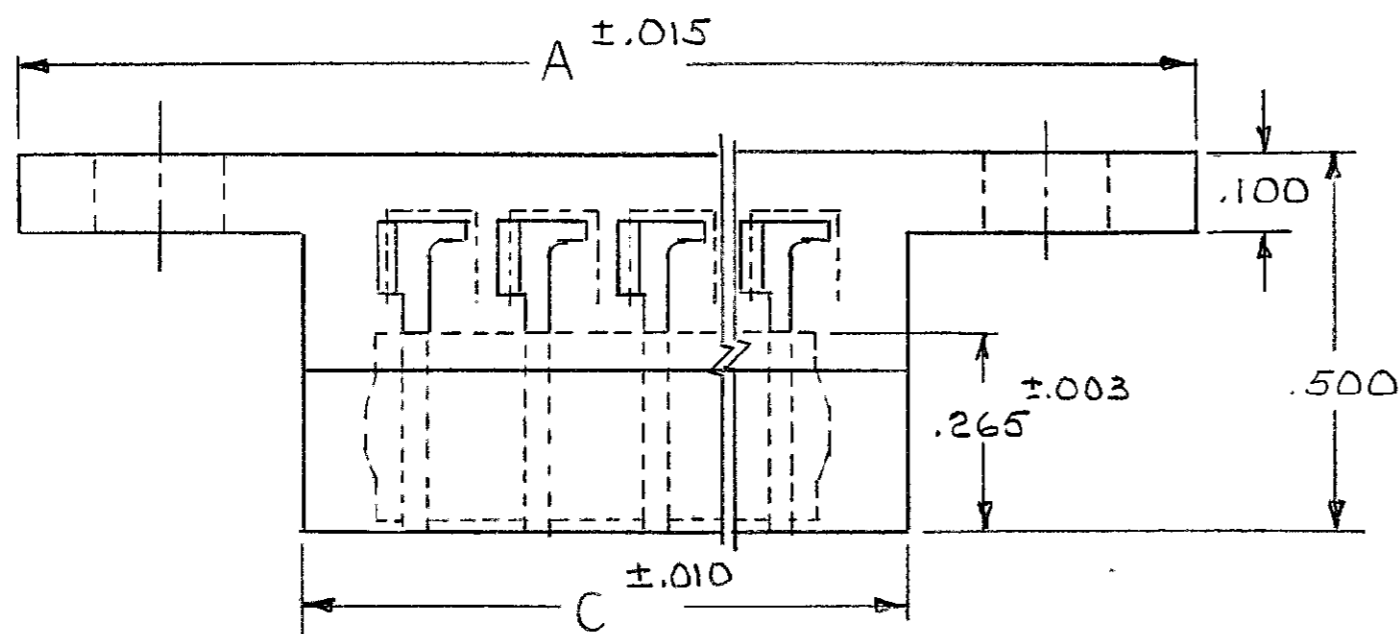
Email & Skype: info@chipsmall.com Web: www.chipsmall.com

Address: A1208, Overseas Decoration Building, #122 Zhenhua RD., Futian, Shenzhen, China



© COPYRIGHT 1975 BY AMP INCORPORATED, HARRISBURG, PA.
 ALL INTERNATIONAL RIGHTS RESERVED. AMP INCORPORATED PRODUCTS
 COVERED BY U. S. AND FOREIGN PATENTS AND/OR PATENTS PENDING.

REVISIONS						
P	F	ZONE	LTR	DESCRIPTION	DATE	APPROVED
			A1	ADDED 1- - 6 m.s. 7434	6-81	
			A2	OBS -4 PER AD1253	7-1-86	CP /CS
			B	OBS -5 /AD 1746	6-87	
			C	REV PER AD2190	1/89	CP
			D	REV PER 0010-1143-95	11-95	P.B.
			E	REV PER EC 0G3C-233-01	02OCT01	MM
			E1	REVISED PER ECO-09-026346	NOV09	AEG



OPTIONAL CUT-OUTS

- 1. REFER TO 530501 TO 530508 FOR TERMINALS
- 2. RETAINING DIMPLES ARE OPTIONAL IN BOTH CUT-OUTS
- 3. CARD SLOTS AND MOUNTING HOLE DIMENSIONS TO BE CHECKED WITH HOUSING RESTRAINED AS MOUNTED.
- 4. FIT FOR .055-.070 P.C. BOARD.
- 5. IDENTIFICATION MARKING OMITTED.
- 6. OBSOLETE PARTS: OBSOLETE CIS STREAMLINING PER D.RENAUD/D.SINISI

	5	1.805	1.818	2.028	2.408	2.788	12	1-530509-6
	6 OBSOLETE	3.365	3.378	3.588	3.968	4.348	20	530509-4
		2.741	2.754	2.964	3.344	3.724	18	530509-8
		2.117	2.130	2.340	2.720	3.100	14	530509-7
	6 OBSOLETE	1.805	1.818	2.028	2.408	2.788	12	530509-6
		.712	.730	.936	1.316	1.696	5	530509-5
	OBSOLETE	.400	.414	.624	1.004	1.384	3	530509-4
	6	2.272	2.286	2.496	2.876	3.256	15	530509-3
	OBSOLETE	1.337	1.350	1.560	1.940	2.320	9	530509-2
		.868	.882	1.092	1.472	1.852	6	530509-1

	E	D	C	B	A	NO. OF POS.	PART NO
UNLESS OTHERWISE SPECIFIED DIMENSIONS ARE IN INCHES. TOLERANCES ON: DECIMALS ±.005 ANGLES ±							
MATERIAL NYLON	CONTRACT NO		AMP INCORPORATED Harrisburg, Pa.				
FINISH	DR Rumble 2-26-75		NAME HOUSING, DUO-TYNE FLAG WITH MOUNTING EARS.				
	CHK Rumble 2-26-75		SIZE CODE IDENT NO DRAWING NO C 00779 530509				
	APPD M. Sushoy 2-27-75		REV E1				
	APPD R. Shuman 2-27-75		SCALE 4-1 SHEET 1 OF 1				
	DSGN APPD						
	OTHER APPD						