



Chipsmall Limited consists of a professional team with an average of over 10 year of expertise in the distribution of electronic components. Based in Hongkong, we have already established firm and mutual-benefit business relationships with customers from,Europe,America and south Asia,supplying obsolete and hard-to-find components to meet their specific needs.

With the principle of “Quality Parts,Customers Priority,Honest Operation,and Considerate Service”,our business mainly focus on the distribution of electronic components. Line cards we deal with include Microchip,ALPS,ROHM,Xilinx,Pulse,ON,Everlight and Freescale. Main products comprise IC,Modules,Potentiometer,IC Socket,Relay,Connector.Our parts cover such applications as commercial,industrial, and automotives areas.

We are looking forward to setting up business relationship with you and hope to provide you with the best service and solution. Let us make a better world for our industry!



Contact us

Tel: +86-755-8981 8866 Fax: +86-755-8427 6832

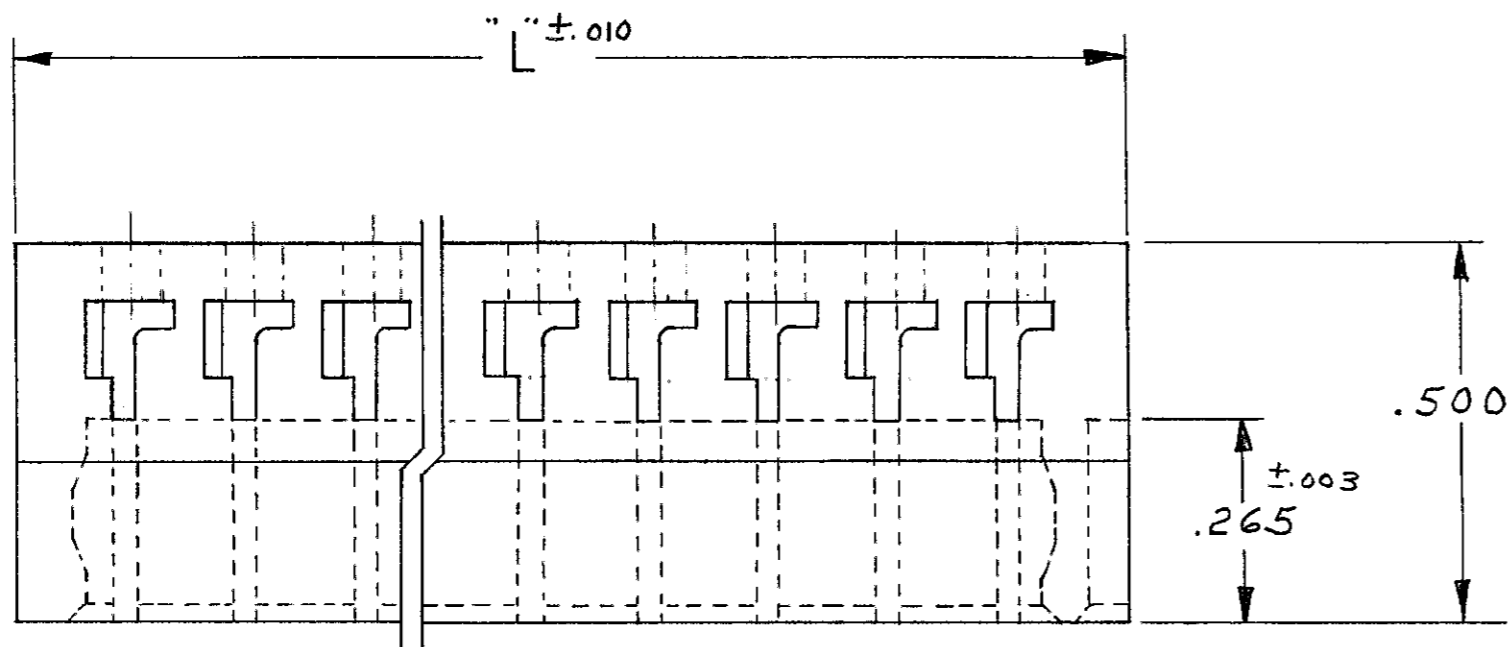
Email & Skype: info@chipsmall.com Web: www.chipsmall.com

Address: A1208, Overseas Decoration Building, #122 Zhenhua RD., Futian, Shenzhen, China

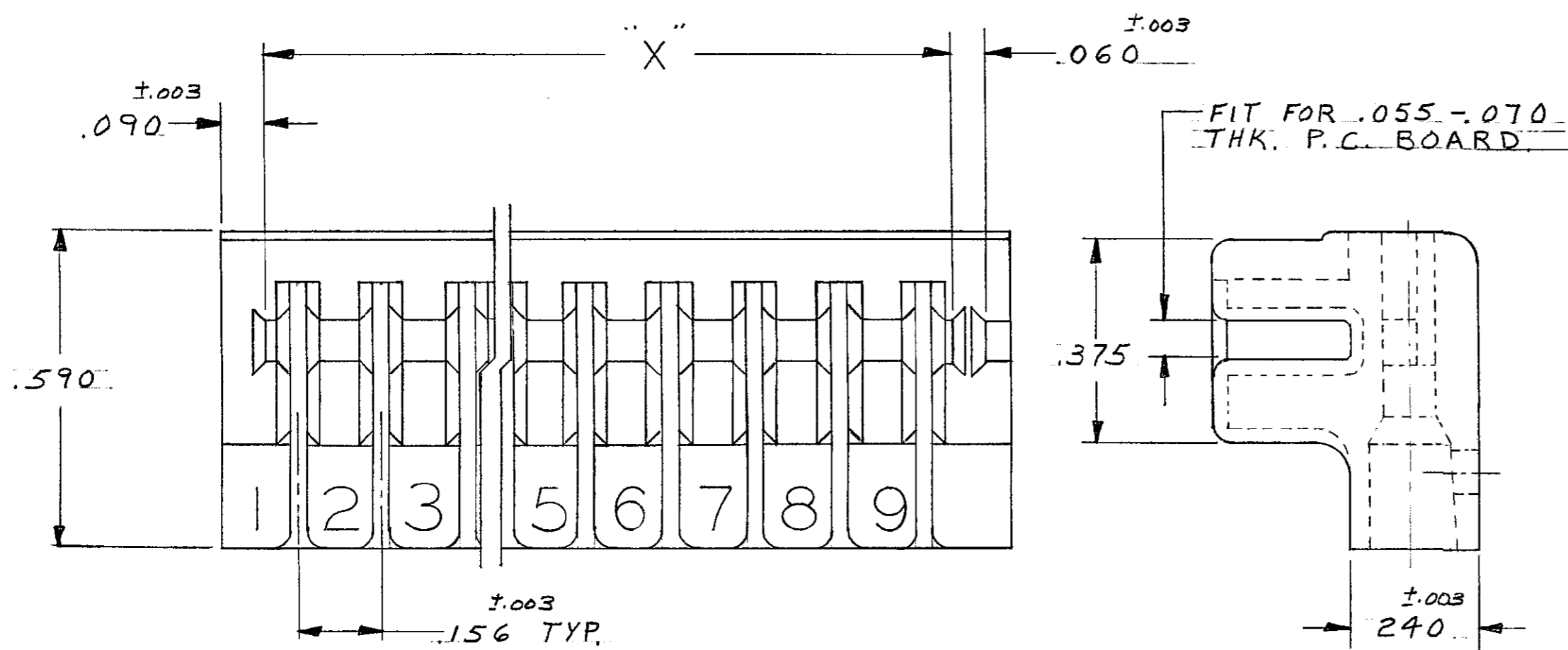


© COPYRIGHT 1976 BY AMP INCORPORATED, HARRISBURG, PA. ALL INTERNATIONAL RIGHTS RESERVED. AMP INCORPORATED PRODUCTS COVERED BY U. S. AND FOREIGN PATENTS AND/OR PATENTS PENDING.

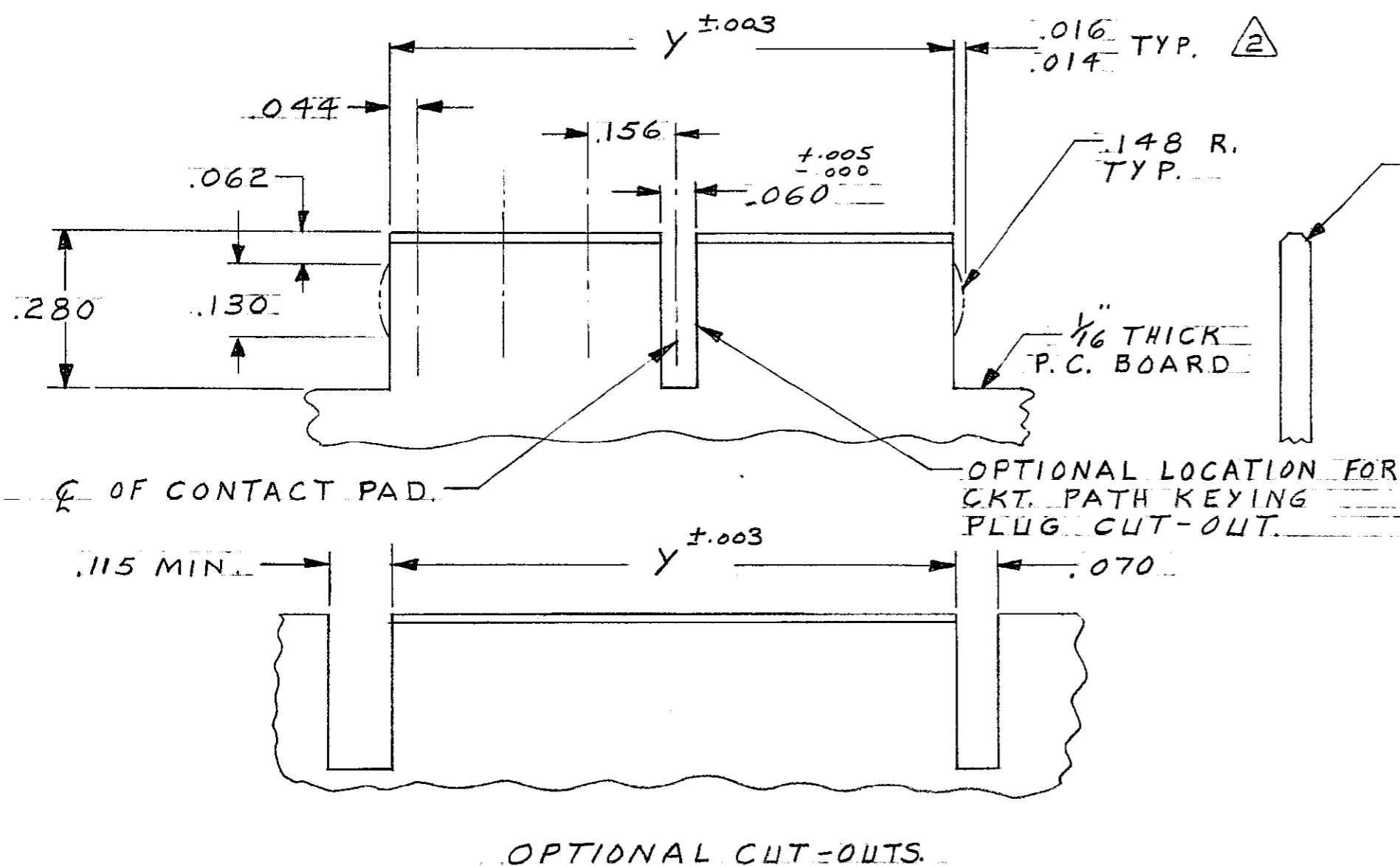
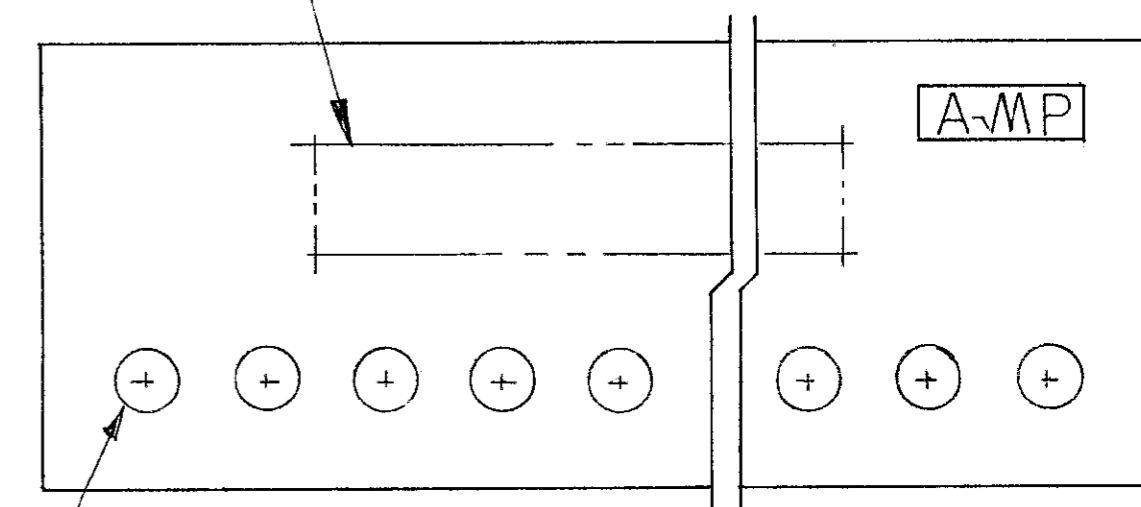
REVISIONS					
P	F	ZONE	LTR	DESCRIPTION	DATE APPROVED
0	✓			RELEASED WAC 5125-90	
1	✓		A	OBSOLETE AD3686	8/89 CP JJP
2	✓		B	REV PER 0010-1143-55	11/95 P.B.
3			C	REV PER EC 0G3C-233-01	02OCT01 MM



1. REFER TO 60215, 583284 & 530501 FOR TERMINALS.
2. THE RETAINING DIMPLES ARE OPTIONAL IN BOTH CUT-OUTS.
3. CONTACT CAVITIES ENLARGED FOR 18-16AWG LEADS WITH MAXIMUM INSULATION DIA. OF .130.



AMP, PART NO. & DATE CODE MARKED OR MOLDED APPROX. AREA. DATE CODE (OPT.)



OBSOLETE	1.805	2.028	1.818	12	530555-3
	1.337	1.560	1.350	9	530555-2
	.400	.624	.414	3	530555-1
	Y	L	X	POS.	PART NO

UNLESS OTHERWISE SPECIFIED DIMENSIONS ARE IN INCHES. TOLERANCES ON: DECIMALS ±.005 ANGLES ±	CONTRACT NO	AMP INCORPORATED Harrisburg, Pa.	
	MATERIAL NYLON		
FINISH #	DSGN APPD OTHER APPD	NAME HOUSING, DUO-TYNE FLAG WITH TEST PROBE ACCESS	SIZE CODE IDENT NO DRAWING NO C 00779 530555
		SCALE 4-1	SHEET 1 OF 1

CUST. 530555