



Chipsmall Limited consists of a professional team with an average of over 10 year of expertise in the distribution of electronic components. Based in Hongkong, we have already established firm and mutual-benefit business relationships with customers from,Europe,America and south Asia,supplying obsolete and hard-to-find components to meet their specific needs.

With the principle of “Quality Parts,Customers Priority,Honest Operation,and Considerate Service”,our business mainly focus on the distribution of electronic components. Line cards we deal with include Microchip,ALPS,ROHM,Xilinx,Pulse,ON,Everlight and Freescale. Main products comprise IC,Modules,Potentiometer,IC Socket,Relay,Connector.Our parts cover such applications as commercial,industrial, and automotives areas.

We are looking forward to setting up business relationship with you and hope to provide you with the best service and solution. Let us make a better world for our industry!



## Contact us

Tel: +86-755-8981 8866 Fax: +86-755-8427 6832

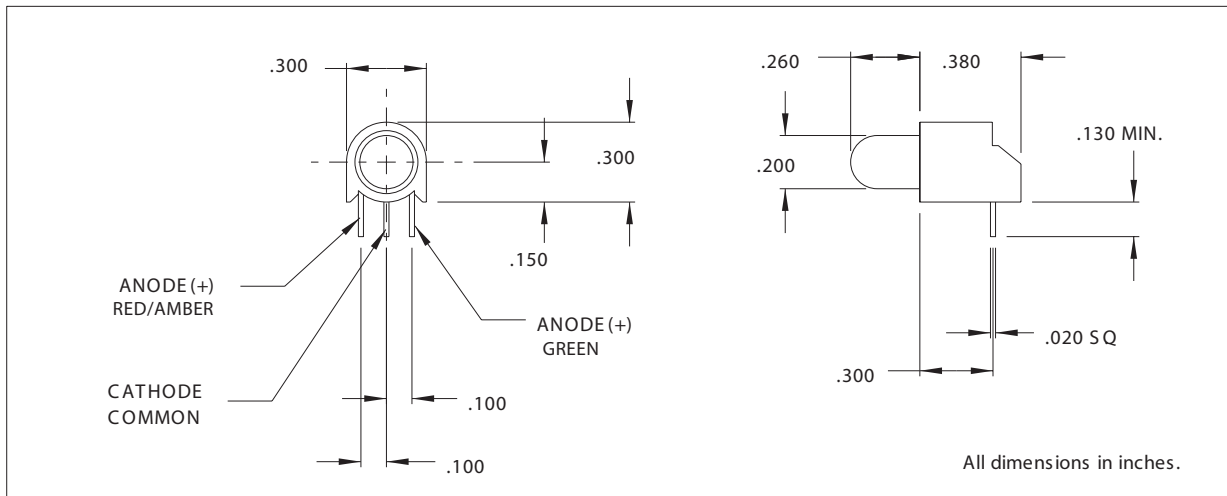
Email & Skype: info@chipsmall.com Web: www.chipsmall.com

Address: A1208, Overseas Decoration Building, #122 Zhenhua RD., Futian, Shenzhen, China



## 5305 Series T-1 3/4 Tricolor Right Angle LED Assembly

### Description and Features



#### Features

- Block mounting, height and spacing alignment saves assembly cost and time.
- Super Brite LEDs-high intensity light output
- Press-in pin secures block to board for solder
- Press-in pin secures block to board for soldering.
- Standoffs prevent flux entrapment.
- RoHS Compliant

Housing: Black Nylon, UL94V-O

## Electro-Optical Characteristics and Ratings

Part Number	Color	Typ. Intensity (mcd)	Rated Current (mA)	Continuous Forward Current Max. (mA)	Forward Voltage Typ. (V)	Forward Voltage Max. (V)	Reverse Break-down Voltage Min. (V)	Peak Wavelength (nm)
5305H1/5	Red/Green	6.3/10	10	60	2.1	2.8	4	650(R)/565(G)
5305H3/5	Amber/Green	5.0/5.0	10	20	2.1	2.8	4	610(A)/565(G)