



Chipsmall Limited consists of a professional team with an average of over 10 year of expertise in the distribution of electronic components. Based in Hongkong, we have already established firm and mutual-benefit business relationships with customers from,Europe,America and south Asia,supplying obsolete and hard-to-find components to meet their specific needs.

With the principle of “Quality Parts,Customers Priority,Honest Operation,and Considerate Service”,our business mainly focus on the distribution of electronic components. Line cards we deal with include Microchip,ALPS,ROHM,Xilinx,Pulse,ON,Everlight and Freescale. Main products comprise IC,Modules,Potentiometer,IC Socket,Relay,Connector.Our parts cover such applications as commercial,industrial, and automotives areas.

We are looking forward to setting up business relationship with you and hope to provide you with the best service and solution. Let us make a better world for our industry!



Contact us

Tel: +86-755-8981 8866 Fax: +86-755-8427 6832

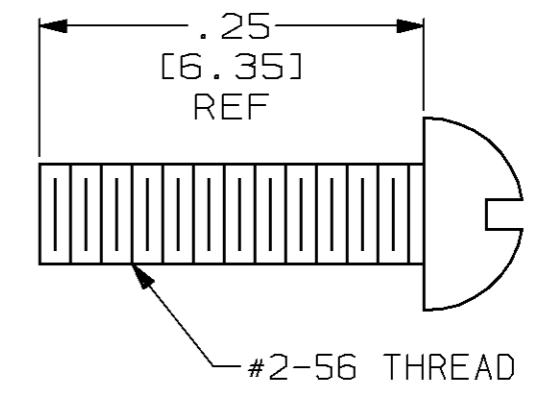
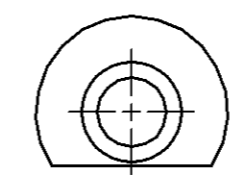
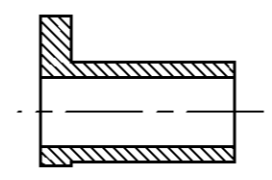
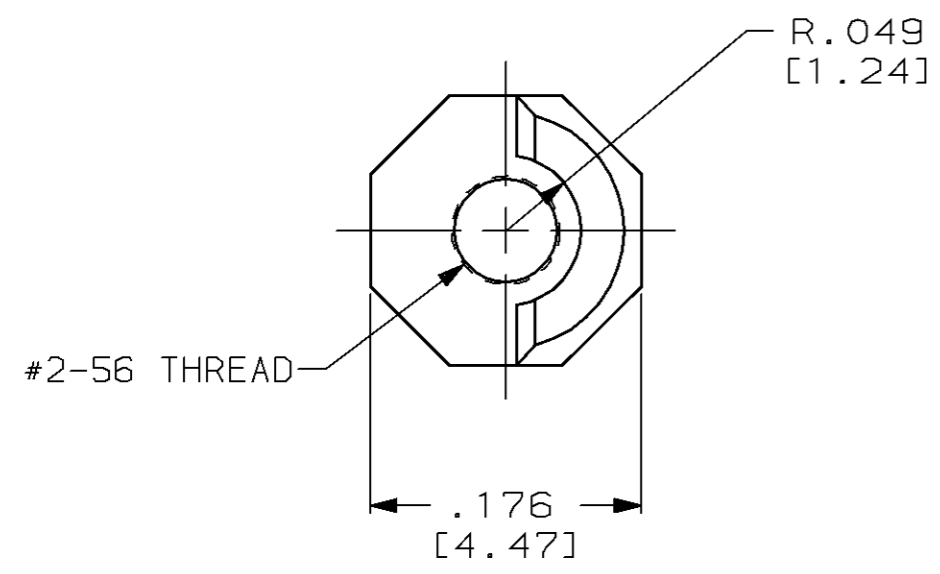
Email & Skype: info@chipsmall.com Web: www.chipsmall.com

Address: A1208, Overseas Decoration Building, #122 Zhenhua RD., Futian, Shenzhen, China



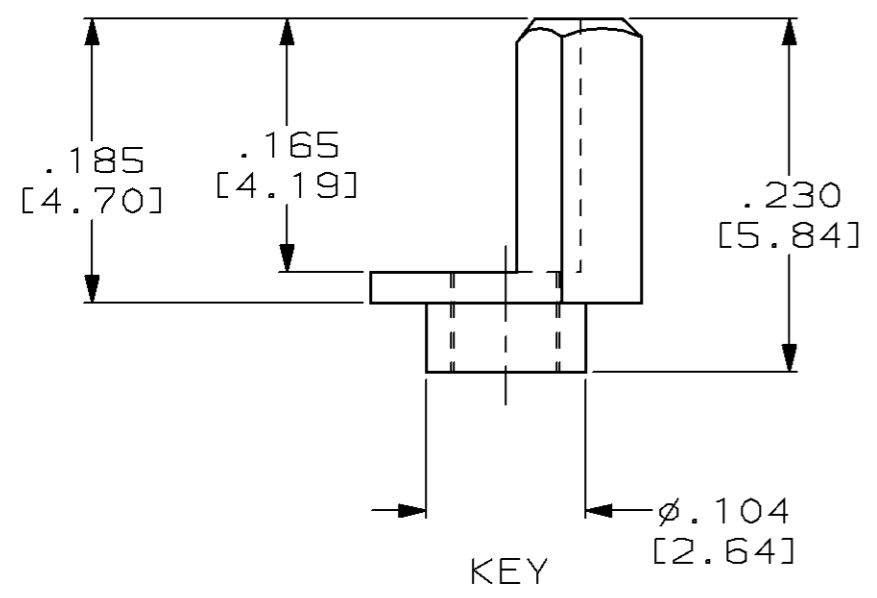
THIS DRAWING IS UNPUBLISHED. RELEASED FOR PUBLICATION ,19 .
 © COPYRIGHT 19 BY AMP INCORPORATED. ALL RIGHTS RESERVED.

LOC	DIST	REVISIONS			
P	LTR	DESCRIPTION	DATE	DWN	APVD
DF	F0				
	C	REV PER 0600-2818-94	01-10-95	TT	DG
	D	REV PER 0600-4263-95	2-96	CT	DG



RIVET

SCREW



- KEY PRESS FITS INTO MINI-BOX PIN HEADER AND/OR RECEPTACLES USING TOOL #91117-2.
- SCREWS ARE TO MOUNT KEYED RECEPTACLES TO P.C. BOARD.
- RIVET IS CRIMPED INTO KEY WITH AMP TOOL #91117-6, RIVET TOOL MUST NOT BE USED IN PLACE OF PRESS FIT TOOL.
- SEE "IS 7894" FOR KEY INSERTION.
- REFER TO DRAWING 534164 FOR DETAIL DIMENSIONS.

	-	2	530721-1	2	534164-2	-	-	KIT	530721-4
	-	2	530721-1	-	-	2	7-21082-1	KIT	530721-3
NOT RELEASED	-	-	-	-	-	-	-	-	530721-2
AS SHOWN	M55302/31-06	1	530721-1	-	-	-	-	KEY	530721-1
REMARKS	MILITARY PART NO.	QTY	KEY	QTY	RIVET	QTY	#2-56 SCREW .25 LONG [6.35]	DESCRIPTION	PART NUMBER

THIS DRAWING IS A CONTROLLED DOCUMENT FOR AMP INCORPORATED. IT IS SUBJECT TO CHANGE AND THE CONTROLLING ENGINEERING ORGANIZATION SHOULD BE CONTACTED FOR THE LATEST REVISION.

DOWNSIDE		DWN	T. THOMPSON	01-10-95	AMP Incorporated Harrisburg, PA 17105-3608		
CHECKED		CHK	D. GUTTER	01-23-95			
APPROVED		APVD	D. GUTTER	01-23-95			
PRODUCT SPEC		PRODUCT SPEC	-	-			
APPLICATION SPEC		APPLICATION SPEC	-	-	NAME	EXTERNAL KEY, MINI-BOX, STANDARD	
MATERIAL		MATERIAL	STAINLESS STEEL	FINISH	PASSIVATED	WEIGHT	-
DIMENSIONS:		TOLERANCES UNLESS OTHERWISE SPECIFIED:		SIZE A3 CAGE CODE 00779 DRAWING NO C-530721			
INCHES [mm]		0 PLC ±- 1 PLC ±- 2 PLC ±- 3 PLC ±.005 [0.13] 4 PLC ±- ANGLES ±-		SCALE 8:1			
				SHEET 1 OF 1			
MATERIAL		FINISH		CUSTOMER DRAWING			
STAINLESS STEEL		PASSIVATED		REV D			