



Chipsmall Limited consists of a professional team with an average of over 10 year of expertise in the distribution of electronic components. Based in Hongkong, we have already established firm and mutual-benefit business relationships with customers from,Europe,America and south Asia,supplying obsolete and hard-to-find components to meet their specific needs.

With the principle of “Quality Parts,Customers Priority,Honest Operation,and Considerate Service”,our business mainly focus on the distribution of electronic components. Line cards we deal with include Microchip,ALPS,ROHM,Xilinx,Pulse,ON,Everlight and Freescale. Main products comprise IC,Modules,Potentiometer,IC Socket,Relay,Connector.Our parts cover such applications as commercial,industrial, and automotives areas.

We are looking forward to setting up business relationship with you and hope to provide you with the best service and solution. Let us make a better world for our industry!



Contact us

Tel: +86-755-8981 8866 Fax: +86-755-8427 6832

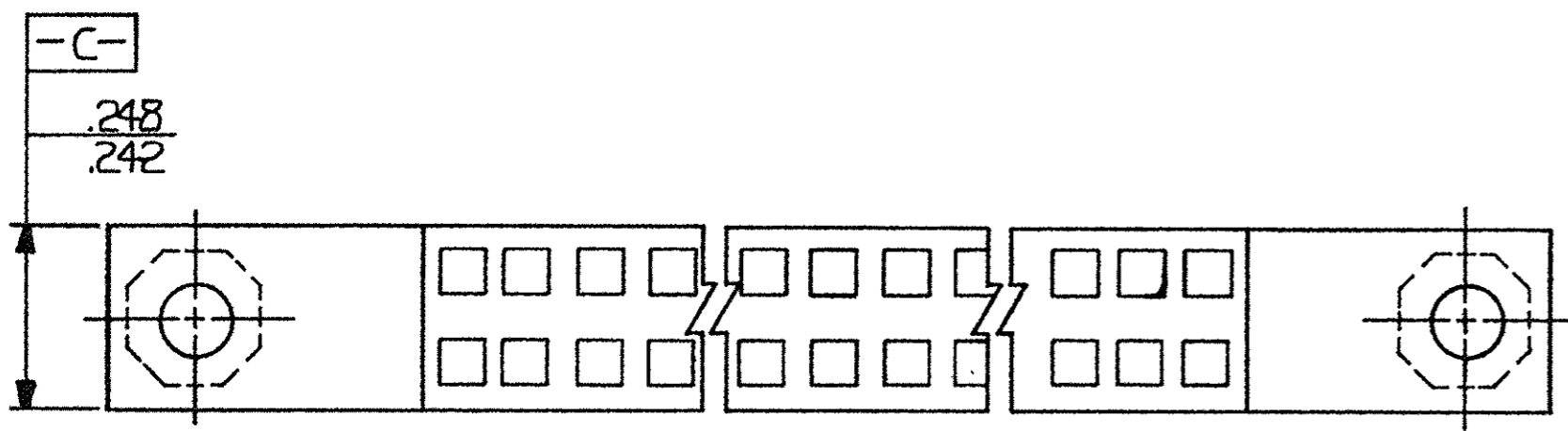
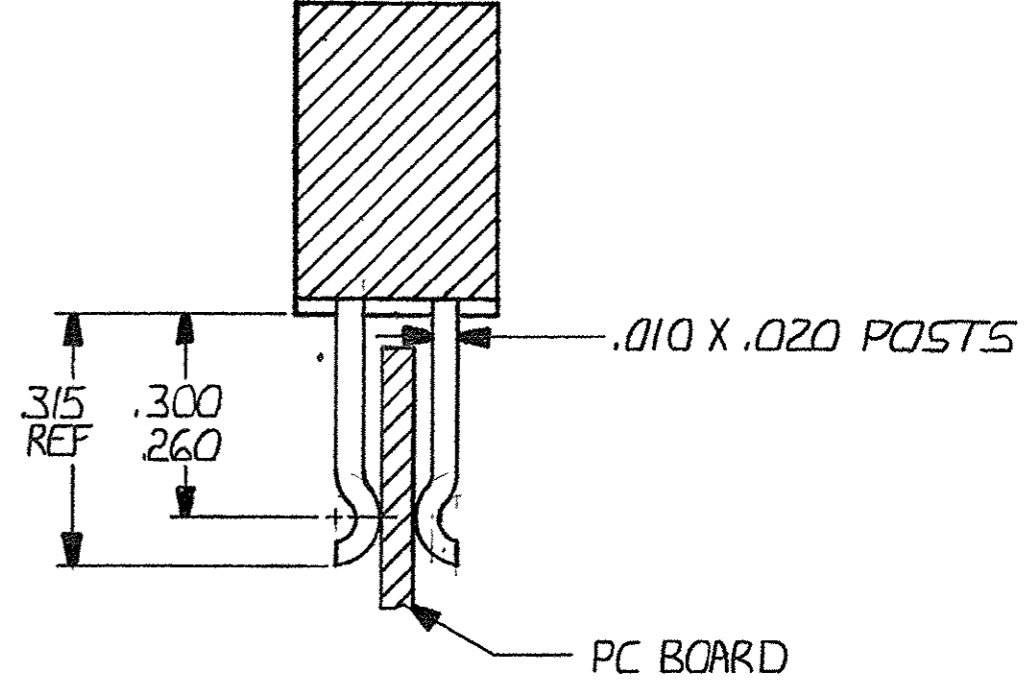
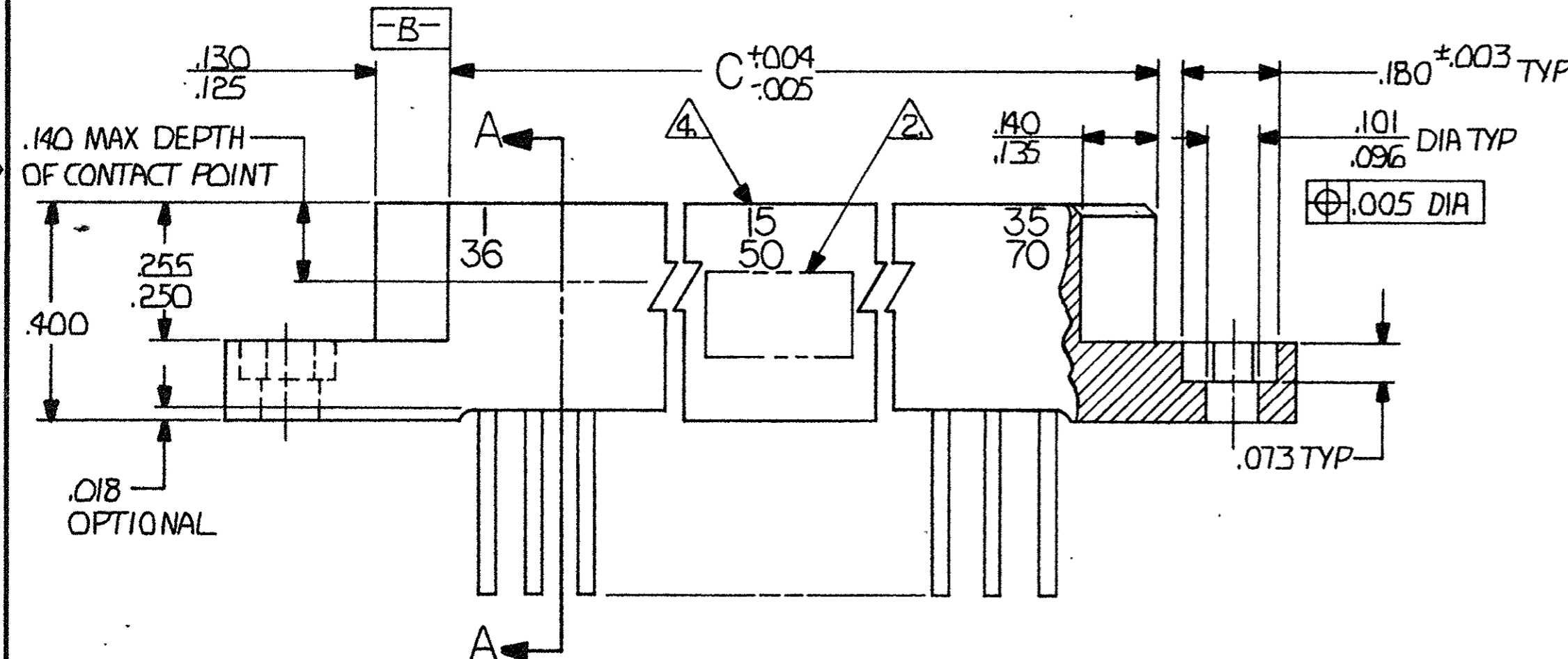
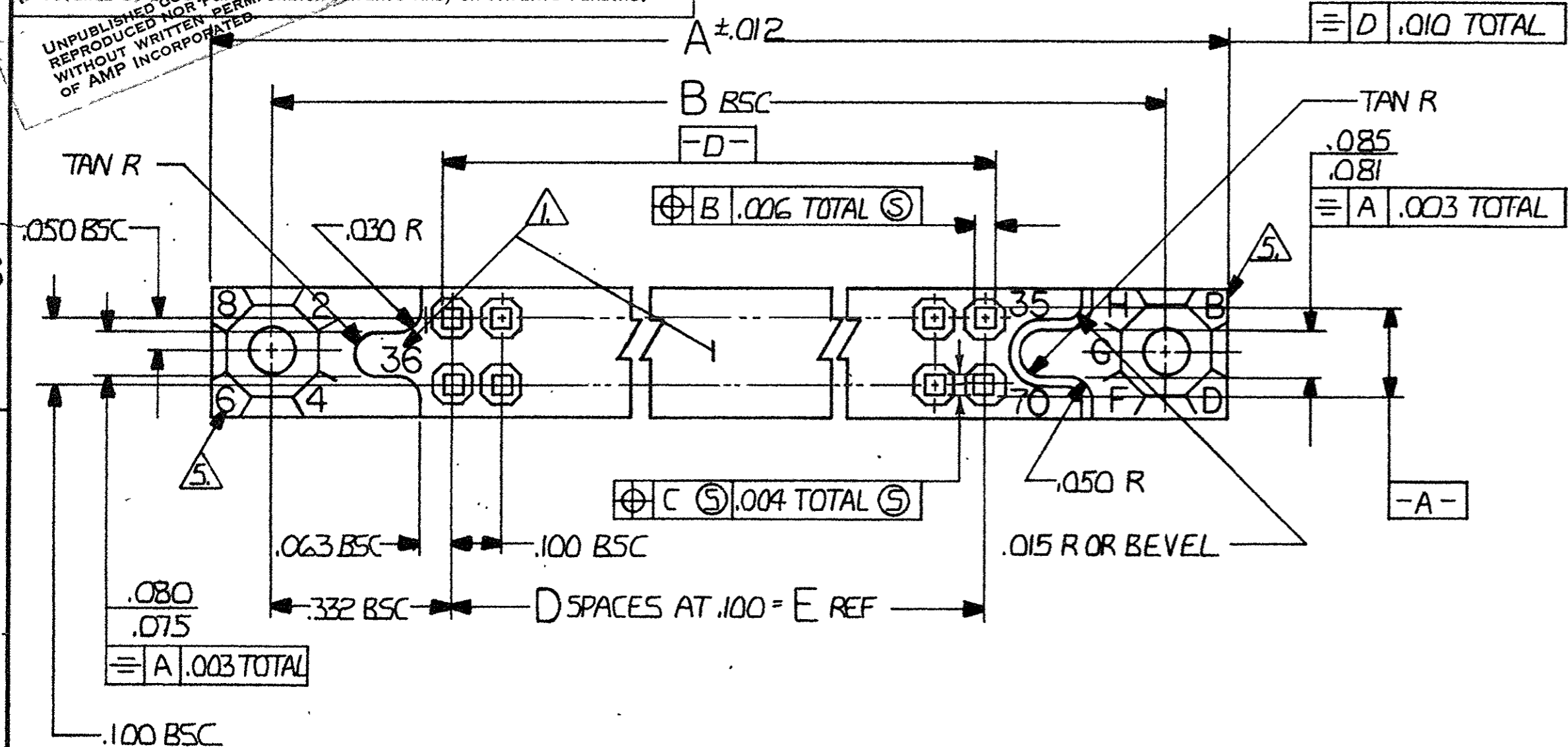
Email & Skype: info@chipsmall.com Web: www.chipsmall.com

Address: A1208, Overseas Decoration Building, #122 Zhenhua RD., Futian, Shenzhen, China



© COPYRIGHT 1977 BY AMP INCORPORATED, HARRISBURG, PA.
 ALL INTERNATIONAL PATENTS RESERVED. AMP INCORPORATED PRODUCTS
 COVERED BY U.S. PATENTS AND FOREIGN PATENTS AND/OR PATENTS PENDING.
 UNPUBLISHED WORKS NOT TO BE REPRODUCED OR TRANSMITTED IN ANY FORM OR BY ANY MEANS
 WITHOUT WRITTEN PERMISSION OF AMP INCORPORATED.

REVISIONS						
P	F	ZONE	LTR	DESCRIPTION	DATE	APPROVED
	✓		01	REVISED 5061 m.S.	2-2-77	
	✓		02	REVISED 6157 DLK	7-19-79	DLK RD
	✓		03	MIL. P/N'S ASSIGNED	4-80	
04	✓		04	REVISED PER ECN 8248 w/c	12-82	DLK
	✓		A	REVISED PER ECN AB-0535	1-3-85	EAM
	✓		B	REV PER DF-2240	10-5-89	T.W.
	✓		C	REV PER 0600-5859-96	4-98	T.T.
	✓		D	REV PER ECO-05-013278	11-05	PY



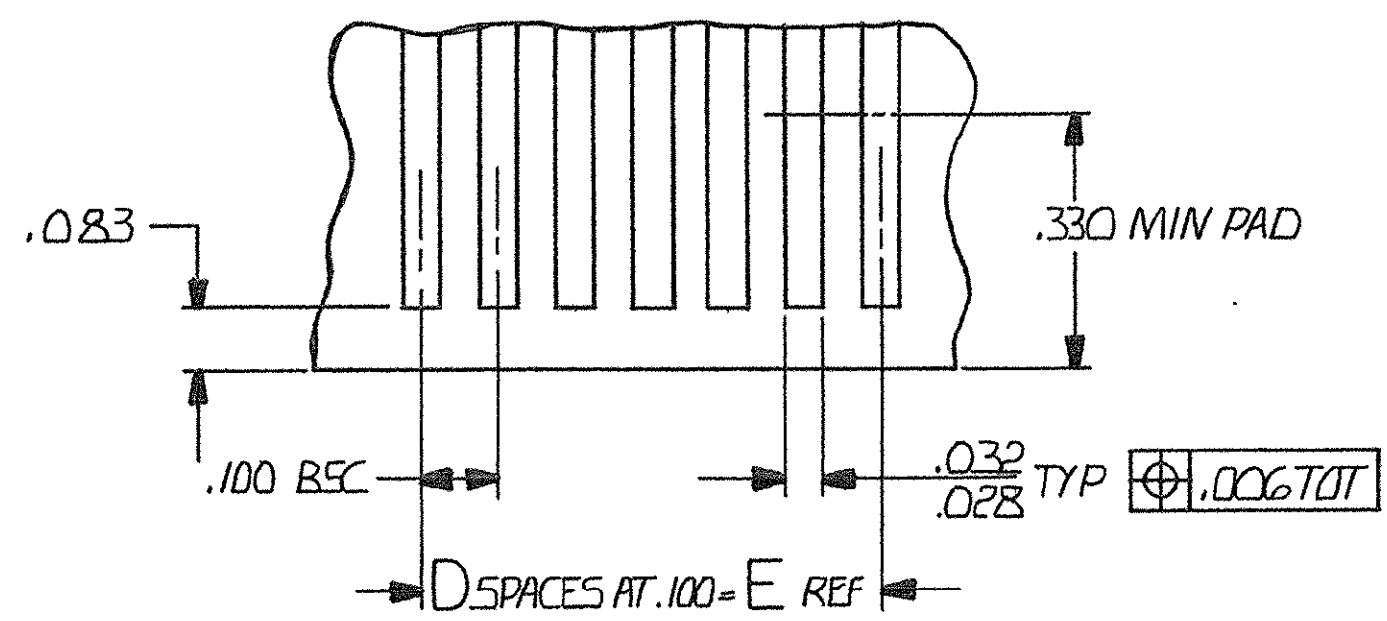
UNLESS OTHERWISE SPECIFIED DIMENSIONS ARE IN INCHES. TOLERANCES ON: DECIMALS $\pm .005$ ANGLES $\pm .005$		CONTRACT NO DR <i>Robert Walber 11-12-76</i> CHK <i>R. Williams 11-23-76</i> APPD <i>R. Williams 11-23-76</i> APPD <i>D.G. Meyers 11-29-76</i>		PART NO	
MATERIAL A		FINISH B		AMP INCORPORATED Harrisburg, Pa.	
NAME BOX CONNECTOR RECEPTACLE ASSY .100 GRID EXTERNAL KEYING		SIZE CODE IDENT NO DRAWING NO C 00779 530782		SHEET 10FZ	
SCALE 4-1		OTHER APPD		CUSTOMER DRAWING	

© COPYRIGHT 19 BY AMP INCORPORATED, HARRISBURG, PA.
ALL INTERNATIONAL RIGHTS RESERVED. AMP INCORPORATED PRODUCTS
COVERED BY U. S. AND FOREIGN PATENTS AND/OR PATENTS PENDING.

REVISIONS				
P	F	ZONE	DATE	APPROVED

UNPUBLISHED COPY NOT
REPRODUCED NOR PUBLISHED
WITHOUT WRITTEN PERMISSION
OF AMP INCORPORATED.

- 1. NUMBERS AND LINES INDICATING EVERY FIVE CAVITIES MOLDED OR MARKED ON MATING FACE.
- 2. AMP PART NUMBER DATE CODE, 00779 & MILITARY PART NUMBER MOLDED OR MARKED THIS AREA. SIDE OPTIONAL
- 3. MUST MEET ALL APPLICABLE REQUIREMENTS OF MIL-C-55302.
- 4. NUMBERS INDICATING EVERY FIVE CAVITIES MOLDED OR MARKED ON SIDE.
- 5. KEY POSITION IDENTIFICATION MOLDED ON SURFACES SHOWN.
- 6. USE EXTERNAL KEY NUMBER 530341-1 MATES WITH PART NUMBER 530339.
- 7. HOUSING MATERIAL: DIALLYL PHTHALATE COLOR: BLUE PER MIL-M-14 TYPE 50G-F.
- 8. CONTACT MATERIAL: BERYLLIUM COPPER OR COPPER-NICKEL-SILICONE .000050 GOLD OVER NICKEL, TIN LEAD ON TAILS



RECOMMENDED PRINTED CIRCUIT BOARD LAYOUT

M55302/27-229	71	140 ¹⁰	6.900	69	7.165	7.565	7.855	140	1-530782-3
M55302/27-228	68	134 ⁶⁷	6.600	66	6.865	7.265	7.555	134	1-530782-2
M55302/27-227	66	130 ⁶⁵	6.400	64	6.665	7.065	7.355	130	1-530782-1
M55302/27-226	61	120 ⁶⁰	5.900	59	6.165	6.565	6.855	120	1-530782-0
M 55302/27-180	56	110 ⁵⁵	5.400	54	5.665	6.065	6.355	110	530782-9
M 55302/27-179	51	100 ⁵⁰	4.900	49	5.165	5.565	5.855	100	-8
M 55302/27-178	46	90 ⁴⁵	4.400	44	4.665	5.065	5.355	90	-7
M 55302/27-177	41	80 ⁴⁰	3.900	39	4.165	4.565	4.855	80	-6
M 55302/27-176	36	70 ³⁵	3.400	34	3.665	4.065	4.355	70	-5
M 55302/27-175	31	60 ³⁰	2.900	29	3.165	3.565	3.855	60	-4
M 55302/27-174	26	50 ²⁵	2.400	24	2.665	3.065	3.355	50	-3
M 55302/27-173	21	40 ²⁰	1.900	19	2.165	2.565	2.855	40	-2
M 55302/27-172	16	30 ¹⁵	1.400	14	1.665	2.065	2.355	30	530782-1
M 55302	CONTACT IDENTIFICATION NO		E	D	C	B	A	NO OF CONTACTS	PART NO

UNLESS OTHERWISE SPECIFIED DIMENSIONS ARE IN INCHES. TOLERANCES ON: DECIMALS ±.005 ANGLES ±	CONTRACT NO	AMP INCORPORATED Harrisburg, Pa.
	DR Robert Weber 11-15-76 CHK R. Williams 11-23-76 APPD R. Williams 11-23-76 APPD R. Myers 11-29-76	
MATERIAL	DSGN APPD	SIZE CODE IDENT NO DRAWING NO C 00779 530782
FINISH	OTHER APPD	SCALE 4-1 SHEET 2 OF 2

530782