



Chipsmall Limited consists of a professional team with an average of over 10 year of expertise in the distribution of electronic components. Based in Hongkong, we have already established firm and mutual-benefit business relationships with customers from,Europe,America and south Asia,supplying obsolete and hard-to-find components to meet their specific needs.

With the principle of “Quality Parts,Customers Priority,Honest Operation,and Considerate Service”,our business mainly focus on the distribution of electronic components. Line cards we deal with include Microchip,ALPS,ROHM,Xilinx,Pulse,ON,Everlight and Freescale. Main products comprise IC,Modules,Potentiometer,IC Socket,Relay,Connector.Our parts cover such applications as commercial,industrial, and automotives areas.

We are looking forward to setting up business relationship with you and hope to provide you with the best service and solution. Let us make a better world for our industry!



Contact us

Tel: +86-755-8981 8866 Fax: +86-755-8427 6832

Email & Skype: info@chipsmall.com Web: www.chipsmall.com

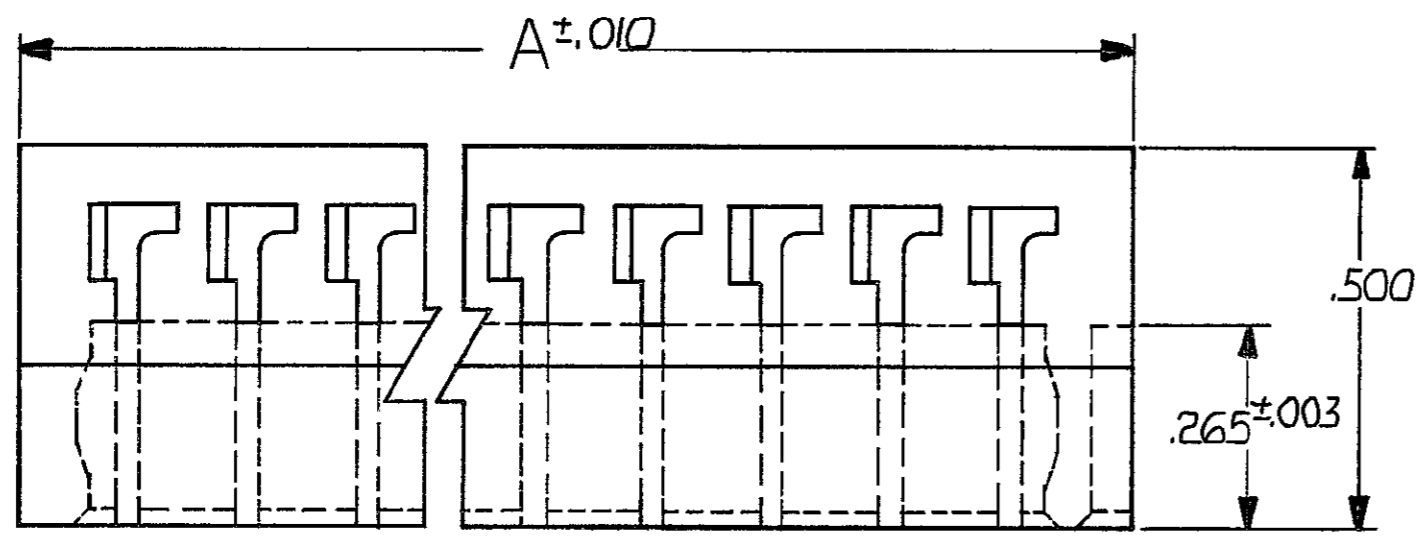
Address: A1208, Overseas Decoration Building, #122 Zhenhua RD., Futian, Shenzhen, China



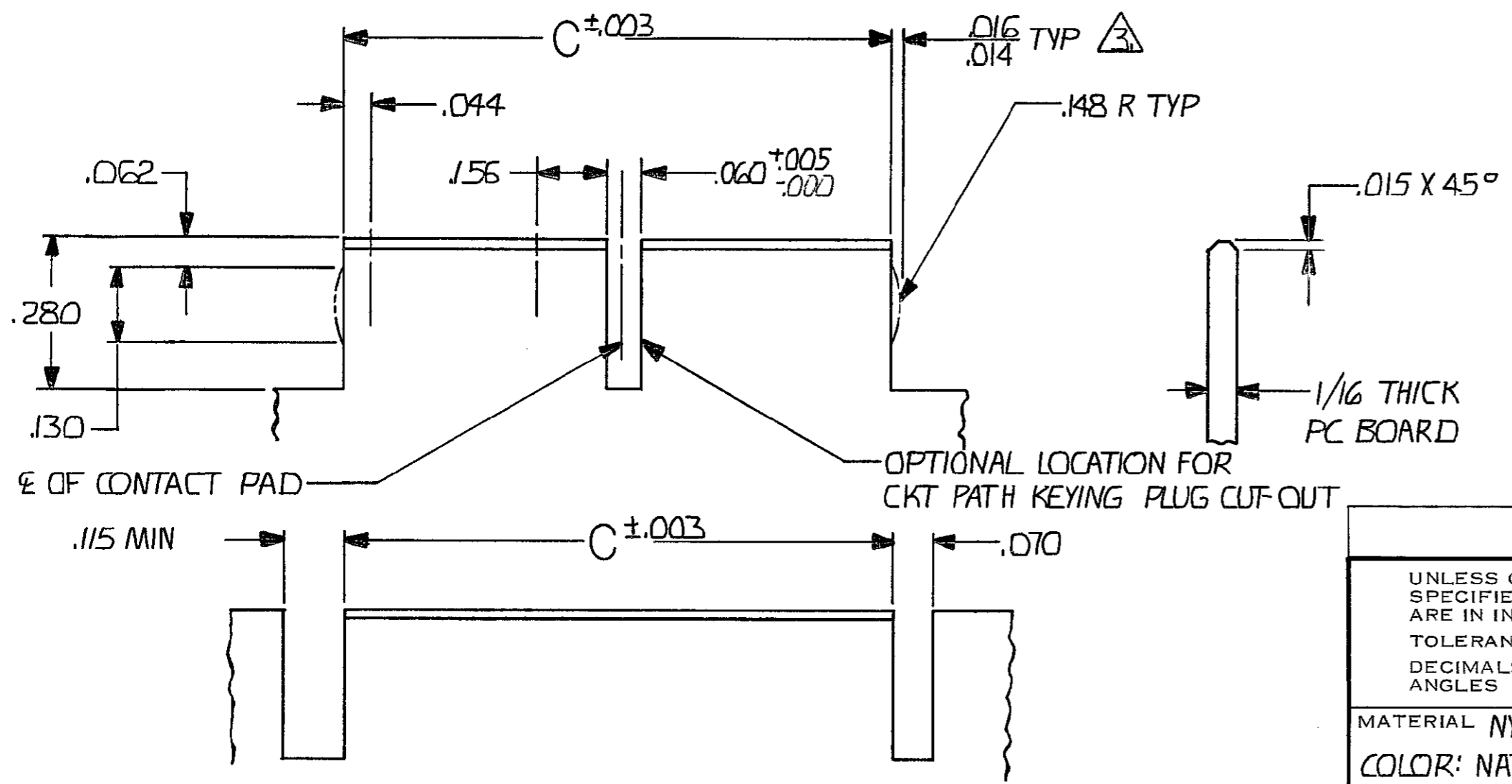
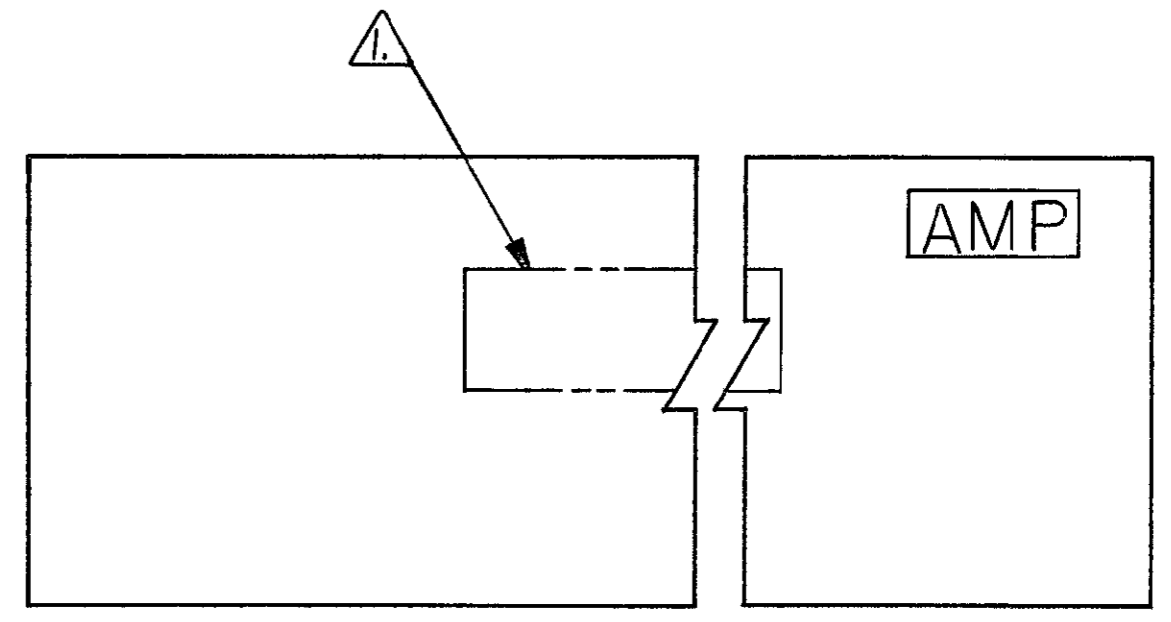
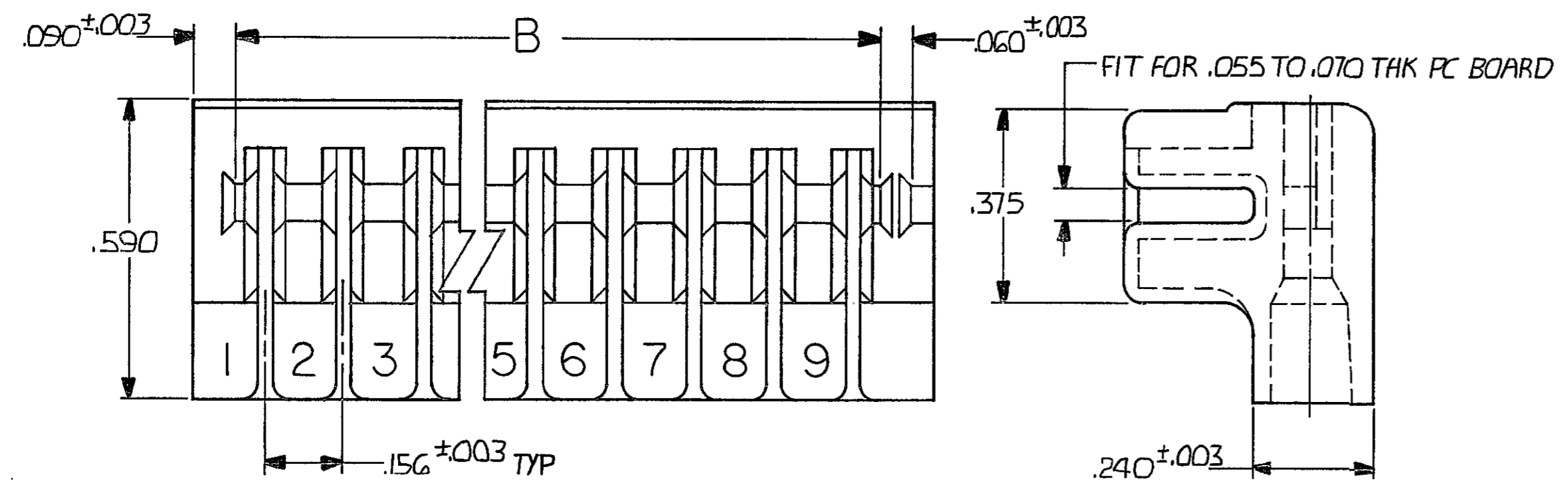
© COPYRIGHT 1976 BY AMP INCORPORATED, HARRISBURG, PA. ALL INTERNATIONAL RIGHTS RESERVED. AMP INCORPORATED PRODUCTS COVERED BY U. S. AND FOREIGN PATENTS AND/OR PATENTS PENDING.

UNPUBLISHED SOP. NOT TO BE REPRODUCED NOR PUBLISHED WITHOUT WRITTEN PERMISSION OF AMP INCORPORATED.

REVISIONS				
P/F	ZONE	LTR	DESCRIPTION	DATE APPROVED
✓		E	OBsolete -11/0010-1308-93-2293 PB	11-95 PB
✓		F	REV PER 0010-0913-94	9/1/94 36
✓		G	REV PER 0010-1143-95	11-95 PB
		H	REV PER EC 0G3C-233-01	02OCT01 MM
		H1	REVISED PER ECO-09-026346	NOV09 AEG



- 1. "AMP" PART NUMBER AND DATE CODE MARKED THIS AREA. DATE CODE (OPTIONAL) OR MOLDED.
- 2. REFER TO 60215 583284 AND 530501 FOR TERMINALS.
- 3. THE RETAINING DIMPLES ARE OPTIONAL IN BOTH CUT-OUTS.
- 4. CONTACT CAVITIES ENLARGED FOR 18 TO 16 AWG LEADS WITH MAXIMUM INSULATION DIAMETER OF .130.
- 5. IDENTIFICATION MARKING OMITTED.
- 6. OBSOLETE PARTS: OBSOLETE CIS STREAMLINING PER D.RENAUD/D.SINISI



	2.741	2.754	2.964	18	1-530853-8
OBsolete	400	414	624	3	1-530853-1
OBsolete	3.365	3.378	3.528	22	530853-9
OBsolete	2.741	2.754	2.964	18	8
OBsolete	2.272	2.286	2.496	15	7
OBsolete	2.117	2.130	2.340	14	6
OBsolete	1.805	1.818	2.028	12	5
	1.337	1.350	1.560	9	4
	.868	.882	1.092	6	3
OBsolete	.712	.726	.936	5	2
	400	414	624	3	530853-1

UNLESS OTHERWISE SPECIFIED DIMENSIONS ARE IN INCHES. TOLERANCES ON: DECIMALS ±.005 ANGLES ±	CONTRACT NO	AMP INCORPORATED Harrisburg, Pa.		
	DR CHK	NAME HOUSING, DUO-TYNE FLAG		
	MATERIAL NYLON COLOR: NATURAL	APPD APPD	SIZE C	CODE IDENT NO 00779
	FINISH	DSGN APPD	DRAWING NO 530853	REV H1
	OTHER APPD	SCALE 4-1	SHEET 1 OF 1	

OPTIONAL CUT-OUTS

530853