



Chipsmall Limited consists of a professional team with an average of over 10 year of expertise in the distribution of electronic components. Based in Hongkong, we have already established firm and mutual-benefit business relationships with customers from,Europe,America and south Asia,supplying obsolete and hard-to-find components to meet their specific needs.

With the principle of “Quality Parts,Customers Priority,Honest Operation,and Considerate Service”,our business mainly focus on the distribution of electronic components. Line cards we deal with include Microchip,ALPS,ROHM,Xilinx,Pulse,ON,Everlight and Freescale. Main products comprise IC,Modules,Potentiometer,IC Socket,Relay,Connector.Our parts cover such applications as commercial,industrial, and automotives areas.

We are looking forward to setting up business relationship with you and hope to provide you with the best service and solution. Let us make a better world for our industry!



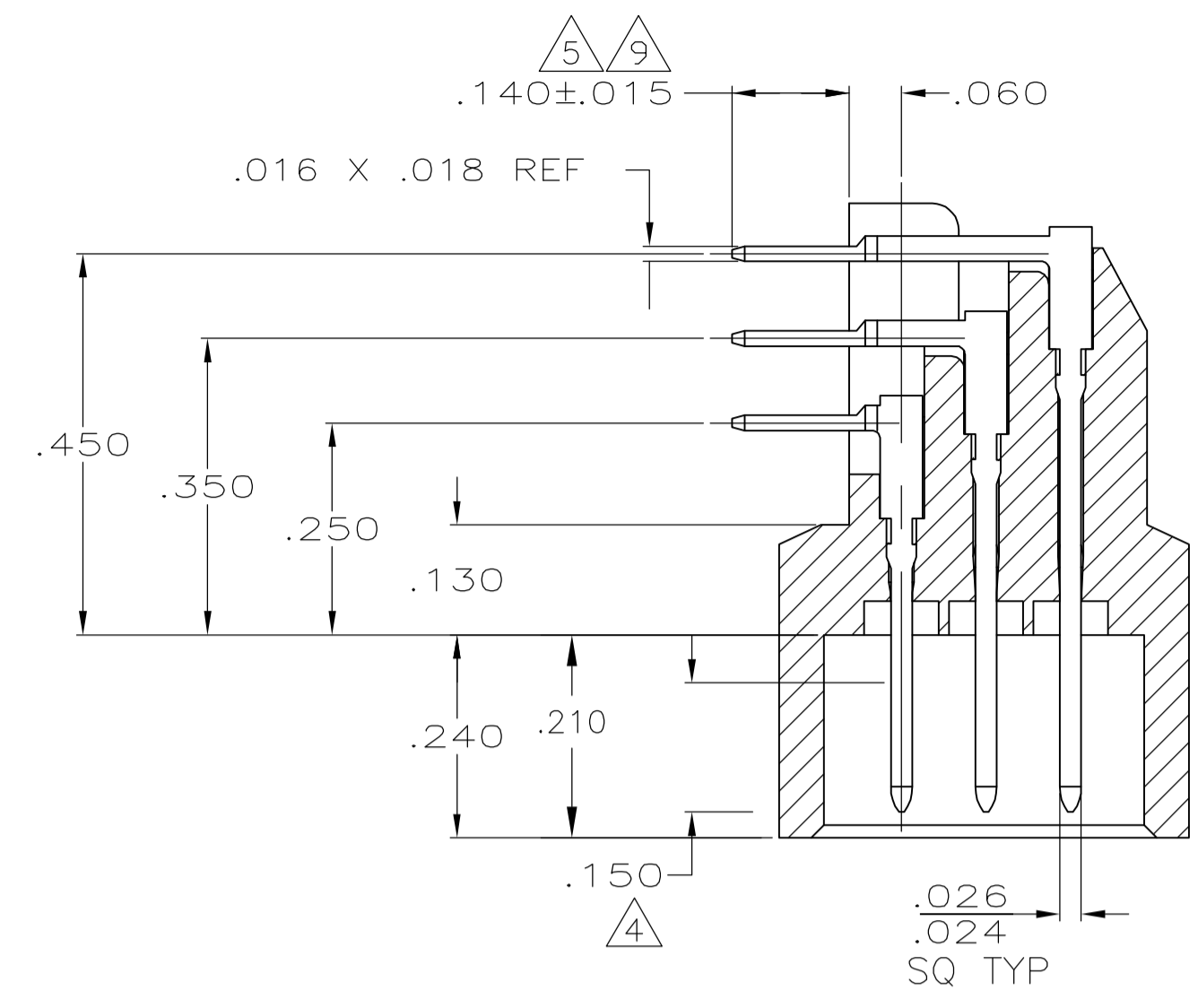
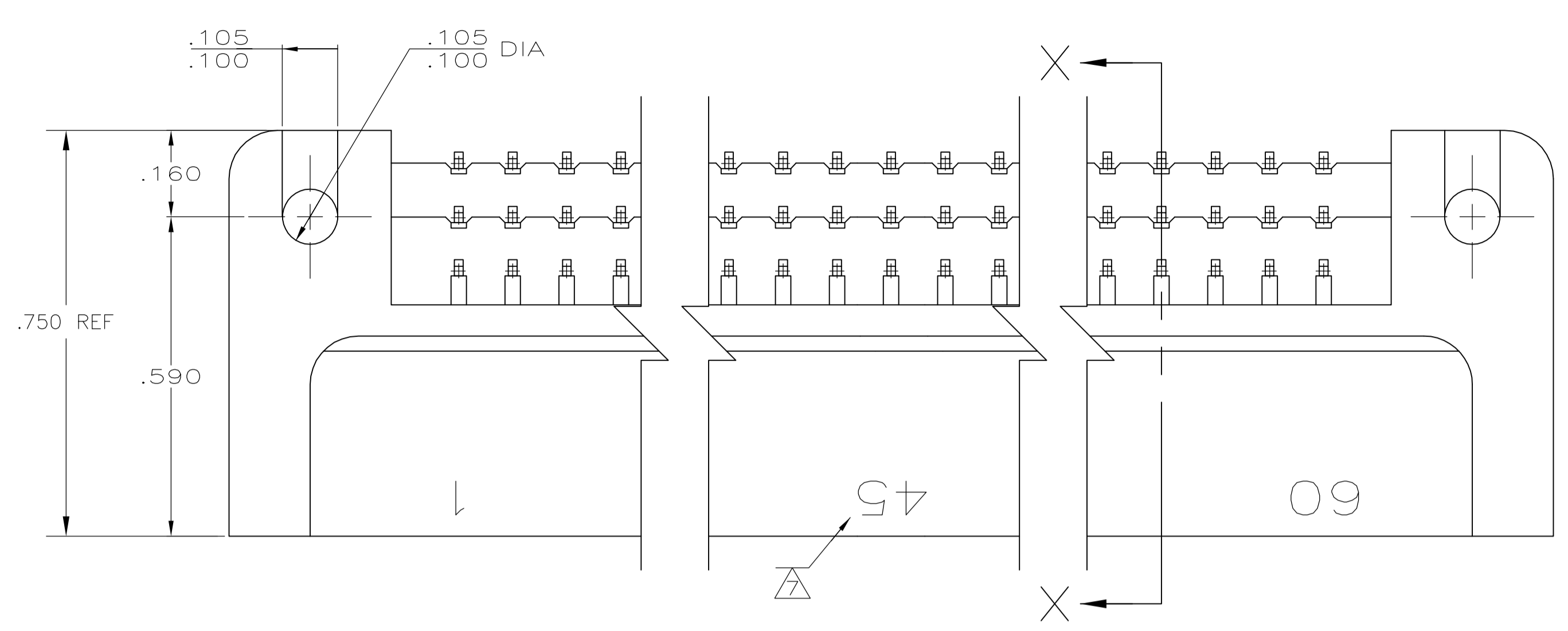
## Contact us

Tel: +86-755-8981 8866 Fax: +86-755-8427 6832

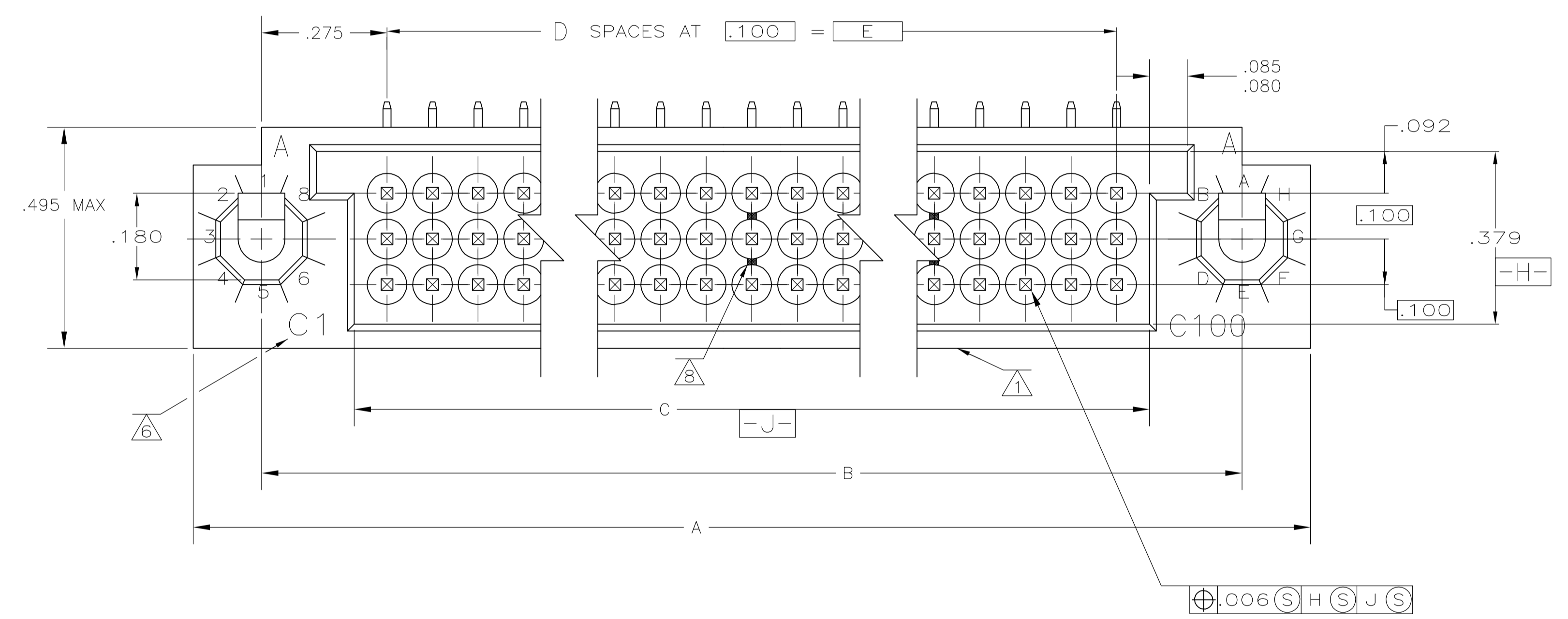
Email & Skype: info@chipsmall.com Web: www.chipsmall.com

Address: A1208, Overseas Decoration Building, #122 Zhenhua RD., Futian, Shenzhen, China

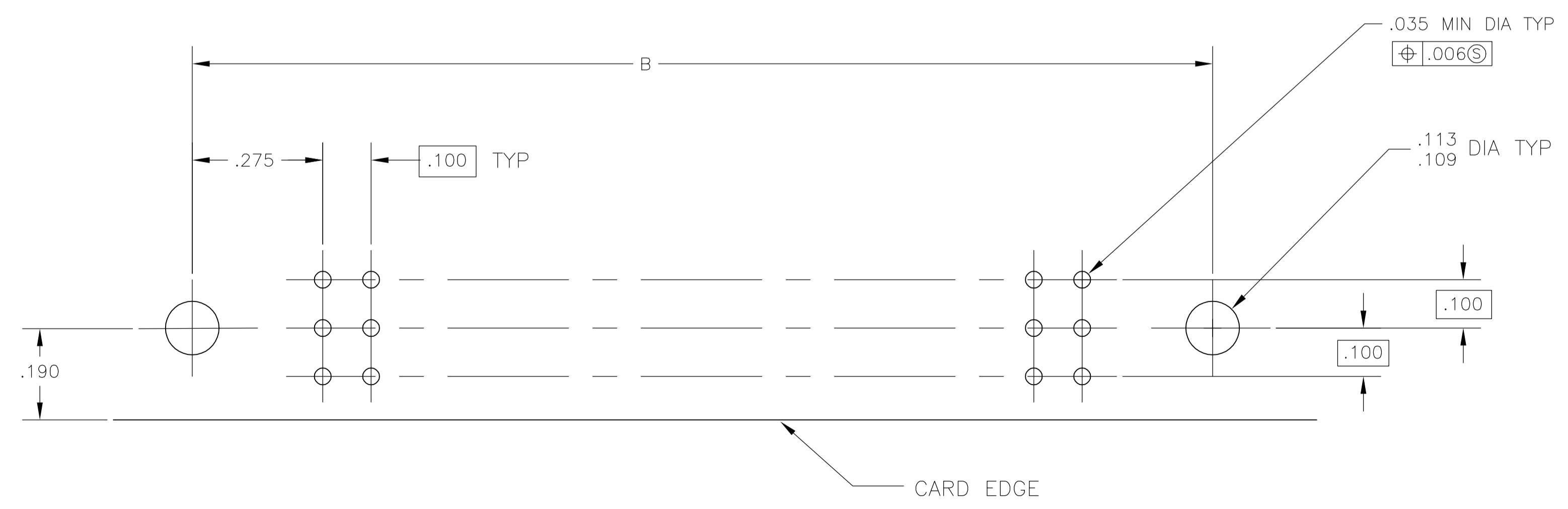




SECTION X-X



- ① AMP, DATE CODE, & PART NO. MARKED THIS AREA.
- ② HOUSING MATERIAL: POLYPHENYLENE SULFIDE, GST-40F, PER MIL-M-24519.
- ③ CONTACT MATERIAL: BRASS
- ④ FINISH: .000030 GOLD OVER .000050 NICKEL IN CONTACT AREA.
- ⑤ FINISH: .000100 TIN LEAD OVER .000050 NICKEL.
- ⑥ LETTERS INDICATING OUTSIDE ROWS AND NUMBERS INDICATING END CAVITIES MARKED THIS SURFACE.
- ⑦ NUMBERS INDICATING EVERY FIVE CAVITIES MARKED ON BOTH SIDES.
- ⑧ LINES INDICATING EVERY FIVE CAVITIES MARKED ON MATING FACE.
- ⑨ FINISH: .000100 TIN OVER .000050 NICKEL.



PC BOARD LAYOUT

⑨	4.900	49	5.044	5.450	5.750	150	5-531137-4
⑧	3.400	34	3.544	3.950	4.250	105	5-531137-2
⑨	2.900	29	3.044	3.450	3.750	90	5-531137-1
⑧	OBSOLETE	9.900	99	10.044	10.450	300	1-531137-5
⑧	OBSOLETE	8.900	89	9.044	9.450	270	1-531137-4
⑧	OBSOLETE	6.400	64	6.544	6.950	195	1-531137-3
⑧	OBSOLETE	4.400	44	4.544	4.950	135	1-531137-2
⑧	OBSOLETE	3.200	32	3.344	3.750	99	1-531137-1
⑧	OBSOLETE	4.100	41	4.244	4.650	126	1-531137-0
⑧	OBSOLETE	4.000	40	4.144	4.550	123	531137-9
⑧	OBSOLETE	7.900	79	8.044	8.450	240	531137-8
⑧	OBSOLETE	6.900	69	7.044	7.450	210	531137-7
⑧	OBSOLETE	5.900	59	6.044	6.450	180	531137-6
⑧	OBSOLETE	5.400	54	5.544	5.950	165	531137-5
⑧	OBSOLETE	4.900	49	5.044	5.450	150	531137-4
⑧	OBSOLETE	3.900	39	4.044	4.450	120	531137-3
⑧	OBSOLETE	3.400	34	3.544	3.950	105	531137-2
⑧	OBSOLETE	2.900	29	3.044	3.450	90	531137-1

THIS DRAWING IS A CONTROLLED DOCUMENT.

DIMENSIONS: INCHES

TOLERANCES UNLESS OTHERWISE SPECIFIED:

0 PL	± .010
1 PL	± .005
2 PL	± .003
3 PL	± .002
4 PL	± .001
ANGLES	± .010

MATERIAL:  $\Delta$  2  $\Delta$  3  $\Delta$  4  $\Delta$  5  $\Delta$  9

FINISH:  $\Delta$  4  $\Delta$  5  $\Delta$  9

THIS DRAWING IS A CONTROLLED DOCUMENT.

DIN: W.D.KISELA 4-6-93

CHK: D.MILLER 5-10-93

APVD: D.MILLER 5-10-93

NAME: D. MILLER

PRODUCT SPEC: PRODUCT SPEC

APPLICATION SPEC: APPLICATION SPEC

SIZE: A1

WEIGHT: --

CAGE CODE: 00779

DRAWING NO: 531137

RESTRICTED TO: --

CUSTOMER DRAWING

SCALE: 5:1

SHEET: 1 OF 1

REV: G