



Chipsmall Limited consists of a professional team with an average of over 10 year of expertise in the distribution of electronic components. Based in Hongkong, we have already established firm and mutual-benefit business relationships with customers from,Europe,America and south Asia,supplying obsolete and hard-to-find components to meet their specific needs.

With the principle of “Quality Parts,Customers Priority,Honest Operation,and Considerate Service”,our business mainly focus on the distribution of electronic components. Line cards we deal with include Microchip,ALPS,ROHM,Xilinx,Pulse,ON,Everlight and Freescale. Main products comprise IC,Modules,Potentiometer,IC Socket,Relay,Connector.Our parts cover such applications as commercial,industrial, and automotives areas.

We are looking forward to setting up business relationship with you and hope to provide you with the best service and solution. Let us make a better world for our industry!



Contact us

Tel: +86-755-8981 8866 Fax: +86-755-8427 6832

Email & Skype: info@chipsmall.com Web: www.chipsmall.com

Address: A1208, Overseas Decoration Building, #122 Zhenhua RD., Futian, Shenzhen, China

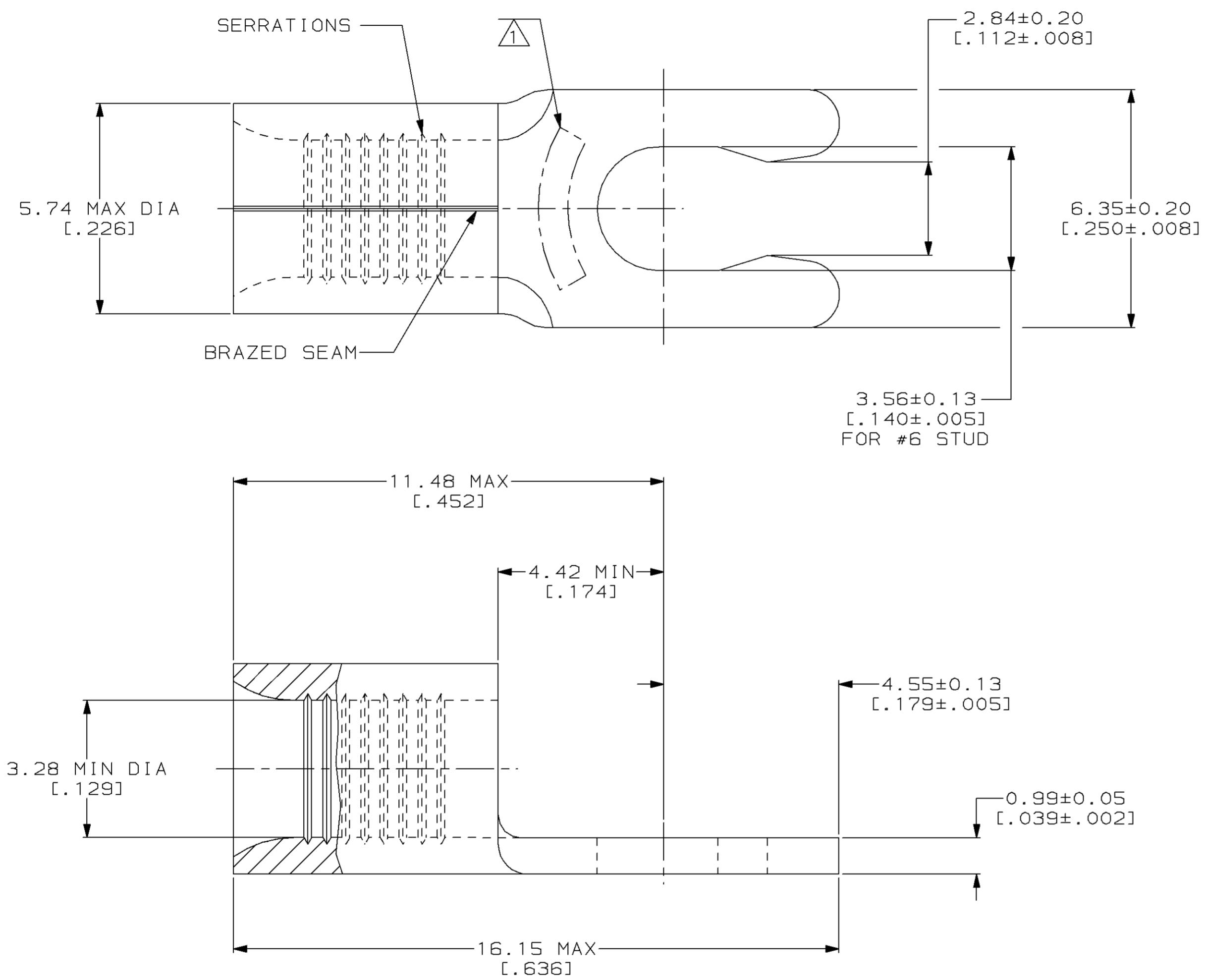


| LOC | | DIST | | P | | F | | REVISIONS | | DATE | APPD |
|------|-----|-------------|--|---|--|---|--|-----------|--------------------------------------|---------|---------|
| ZONE | LTR | DESCRIPTION | | | | | | | | | |
| G | 14 | | | | | | | D | REV, RDRW, & SM PKG PER 0720-0040-93 | 3-29-93 | APP DAP |

METRIC
 DIMENSIONS LISTED IN mm [INCHES]

| | |
|--------------------------------|----------------------------|
| AMP WIRE RANGE | UL E13288 Listed |
| 12-10 AWG SOLID OR STRANDED | 12-10 AWG STRANDED |
| SR LR7189 Certified | MILITARY P/N AND CLASS |
| 12-10 AWG SOLID OR STRANDED | NOT APPLICABLE |

△ STAMP 6S AMP 12-10* APPROX AS SHOWN
 6S INDICATES STUD SIZE



| QUANTITY | PACKAGING TYPE | PART NO |
|----------|------------------|-----------|
| 50 | LOOSE PIECE, BOX | 8-53126-2 |
| 2500 | ON TAPE | 53126-2 |
| --- | LOOSE PIECE | 53126-1 |

AMP INCORPORATED
CUSTOMER SERVICE SYSTEMS

FOR ADDITIONAL PRODUCT INFORMATION OR COPIES OF DRAWINGS AND TECHNICAL DOCUMENTS
 PRODUCT INFORMATION CENTER
 1-800-522-6752

FOR APPLICATION TOOLING INFORMATION
 TOOLING ASSISTANCE CENTER
 1-800-722-1111

FOR ORDER ENTRY
 1-800-526-5142

MAX RECOMMENDED OPERATING TEMPERATURE:
 170°C MAX

VOLTAGE RATING:
 NOT APPLICABLE

WIRE CROSS SECTIONAL AREA RANGE:
 2.62-6.64mm² [5,180-13,100] CIR MILS
 SOLID OR STRANDED

THIS DRAWING IS A CONTROLLED DOCUMENT FOR AMP INCORPORATED. IT IS SUBJECT TO CHANGE AND THE CONTROLLING ENGINEERING ORGANIZATION SHOULD BE CONTACTED FOR THE LATEST REVISION.

DO NOT SCALE PRINT. UNLESS SPECIFIED DIMENSIONS IN mm [INCHES]— TOLERANCES ON:
 2 PLC DEC ± -
 3 PLC DEC ± -
 ANGLES ± -

MATERIAL
 PHOSPHOR BRONZE PER ASTM B-103 ANNEALED

FINISH
 TIN PLATE 0.00254 [0.00100] MIN THK PER MIL-T-10727

DR 3-29-93
 TA BRINKMAN

CHK 3-29-93
 DA PATTERSON

APPD 3-29-93
 DE MILLER

APPD 3-29-93
 JL MECKLEY

PRODUCT SPEC -

APPLICATION SPEC -

WEIGHT -

AMP AMP Incorporated
 Harrisburg, PA 17105-3608

NAME
TERMINAL, SHORT SPRING SPADE, SOLISTRAND™

SIZE
 © 00779 ©=53126

DRAWING NO
 ©=53126

SCALE 10:1

SHEET 1 OF 1