



Chipsmall Limited consists of a professional team with an average of over 10 year of expertise in the distribution of electronic components. Based in Hongkong, we have already established firm and mutual-benefit business relationships with customers from,Europe,America and south Asia,supplying obsolete and hard-to-find components to meet their specific needs.

With the principle of “Quality Parts,Customers Priority,Honest Operation,and Considerate Service”,our business mainly focus on the distribution of electronic components. Line cards we deal with include Microchip,ALPS,ROHM,Xilinx,Pulse,ON,Everlight and Freescale. Main products comprise IC,Modules,Potentiometer,IC Socket,Relay,Connector.Our parts cover such applications as commercial,industrial, and automotives areas.

We are looking forward to setting up business relationship with you and hope to provide you with the best service and solution. Let us make a better world for our industry!



Contact us

Tel: +86-755-8981 8866 Fax: +86-755-8427 6832

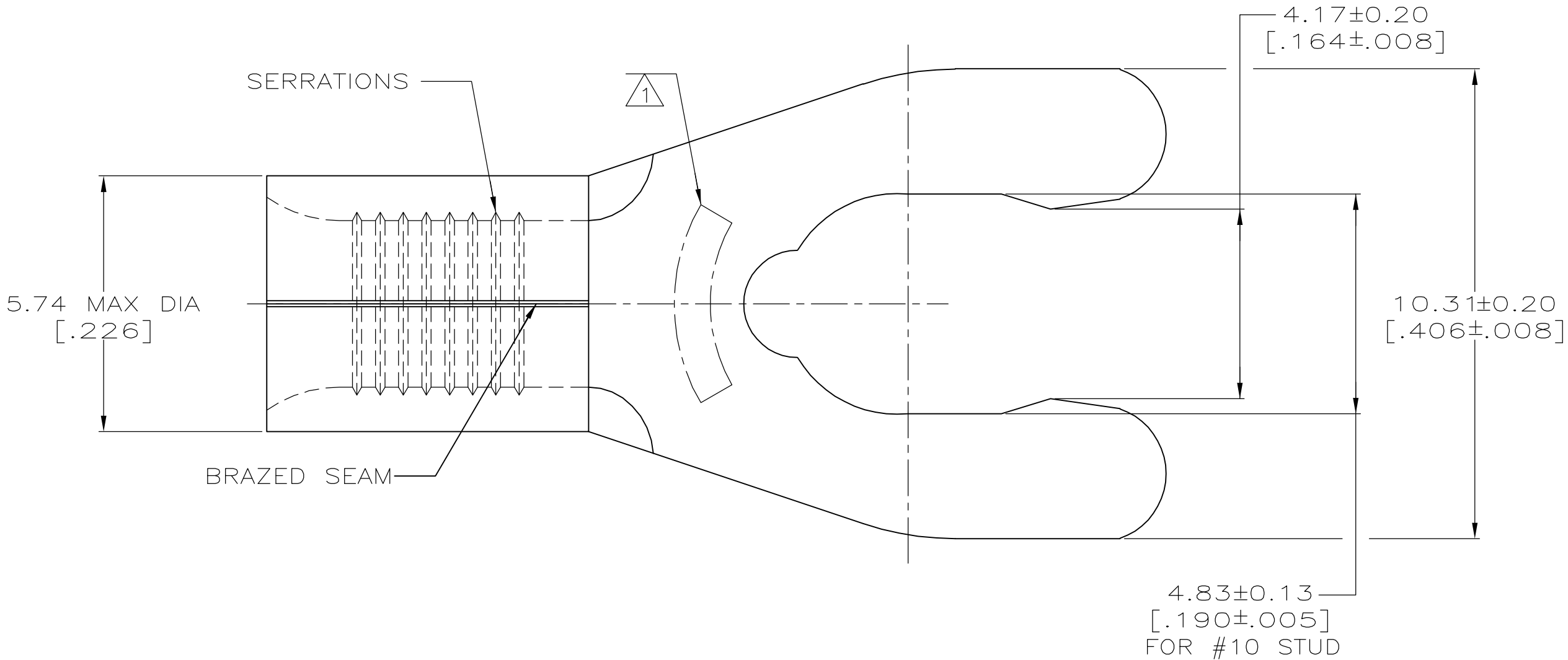
Email & Skype: info@chipsmall.com Web: www.chipsmall.com

Address: A1208, Overseas Decoration Building, #122 Zhenhua RD., Futian, Shenzhen, China



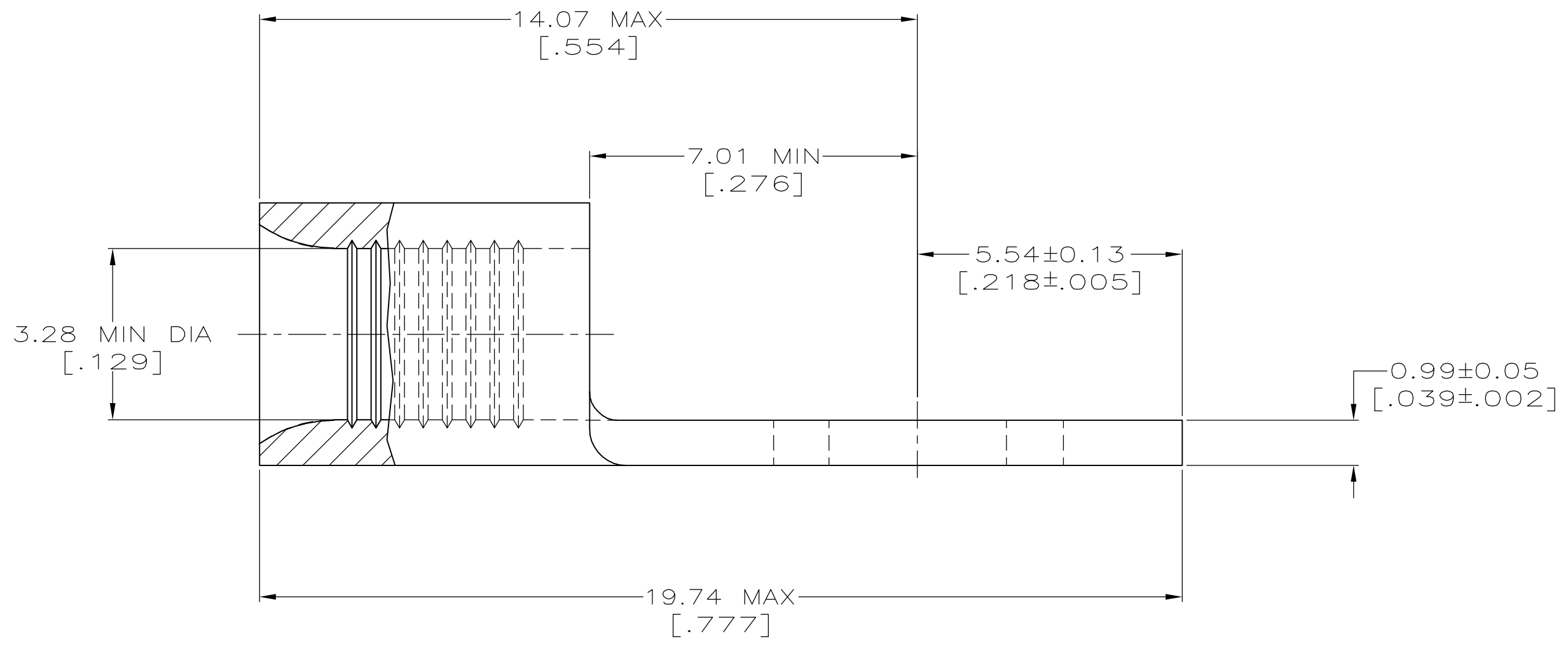
LOC		DIST		ZONE		LTR		REVISIONS		DATE	APPD
G	14	P	F					D1	REV PER ECR 07-006018	20MAR07	JR

METRIC
 DIMENSIONS LISTED IN mm [INCHES]



AMP WIRE RANGE	E13288 Listed
12-10 AWG SOLID OR STRANDED	12-10 AWG STRANDED
LR7189 Certified	MILITARY P/N AND CLASS
12-10 AWG SOLID OR STRANDED	NOT APPLICABLE

STAMP 10S AMP 12-10* APPROX AS SHOWN
 10S INDICATES STUD SIZE



50	LOOSE PIECE, BOX SPECIAL (NO WINDOW)	8-53128-5
50	LOOSE PIECE, BOX	8-53128-2
2500	ON TAPE	53128-2
----	LOOSE PIECE	53128-1
QUANTITY	PACKAGING TYPE	PART NO

**AMP INCORPORATED
 CUSTOMER SERVICE SYSTEMS**

MAX RECOMMENDED OPERATING TEMPERATURE:
 170° C MAX

DO NOT SCALE PRINT. UNLESS SPECIFIED
 DIMENSIONS IN mm [INCHES]—
 TOLERANCES ON :
 2 PLC DEC ± -
 3 PLC DEC ± -
 ANGLES ± -
 MATERIAL
 PHOSPHOR BRONZE
 PER ASTM B-103
 ANNEALED
 FINISH
 TIN PLATE
 0.00254[.000100] MIN
 THK PER MIL-T-10727

DR 3-29-93
 TA BRINKMAN
 CHK 3-29-93
 DA PATTERSON
 APPD 3-29-93
 DE MILLER
 APPD 3-29-93
 JL MECKLEY
 PRODUCT SPEC
 -
 APPLICATION SPEC
 -
 WEIGHT -

AMP AMP Incorporated
 Harrisburg, PA 17105-3608

FOR ADDITIONAL PRODUCT INFORMATION OR COPIES OF DRAWINGS AND TECHNICAL DOCUMENTS	PRODUCT INFORMATION CENTER 1-800-522-6752
FOR APPLICATION TOOLING INFORMATION	TOOLING ASSISTANCE CENTER 1-800-722-1111
FOR ORDER ENTRY	1-800-526-5142

VOLTAGE RATING:
 NOT APPLICABLE
 WIRE CROSS SECTIONAL AREA RANGE:
 2.62-6.64mm²[5,180-13,100] CIR MILS
 SOLID OR STRANDED
 THIS DRAWING IS A CONTROLLED DOCUMENT FOR
 AMP INCORPORATED. IT IS SUBJECT TO CHANGE
 AND THE CONTROLLING ENGINEERING ORGANIZATION
 SHOULD BE CONTACTED FOR THE LATEST REVISION.

NAME TERMINAL, SHORT SPRING SPADE, SOLISTRAND™		
SIZE 00779	CAGE CODE 00779	DRAWING NO 53128
SCALE 10:1	SHEET 10F 1	