



Chipsmall Limited consists of a professional team with an average of over 10 year of expertise in the distribution of electronic components. Based in Hongkong, we have already established firm and mutual-benefit business relationships with customers from,Europe,America and south Asia,supplying obsolete and hard-to-find components to meet their specific needs.

With the principle of “Quality Parts,Customers Priority,Honest Operation,and Considerate Service”,our business mainly focus on the distribution of electronic components. Line cards we deal with include Microchip,ALPS,ROHM,Xilinx,Pulse,ON,Everlight and Freescale. Main products comprise IC,Modules,Potentiometer,IC Socket,Relay,Connector.Our parts cover such applications as commercial,industrial, and automotives areas.

We are looking forward to setting up business relationship with you and hope to provide you with the best service and solution. Let us make a better world for our industry!



Contact us

Tel: +86-755-8981 8866 Fax: +86-755-8427 6832

Email & Skype: info@chipsmall.com Web: www.chipsmall.com

Address: A1208, Overseas Decoration Building, #122 Zhenhua RD., Futian, Shenzhen, China

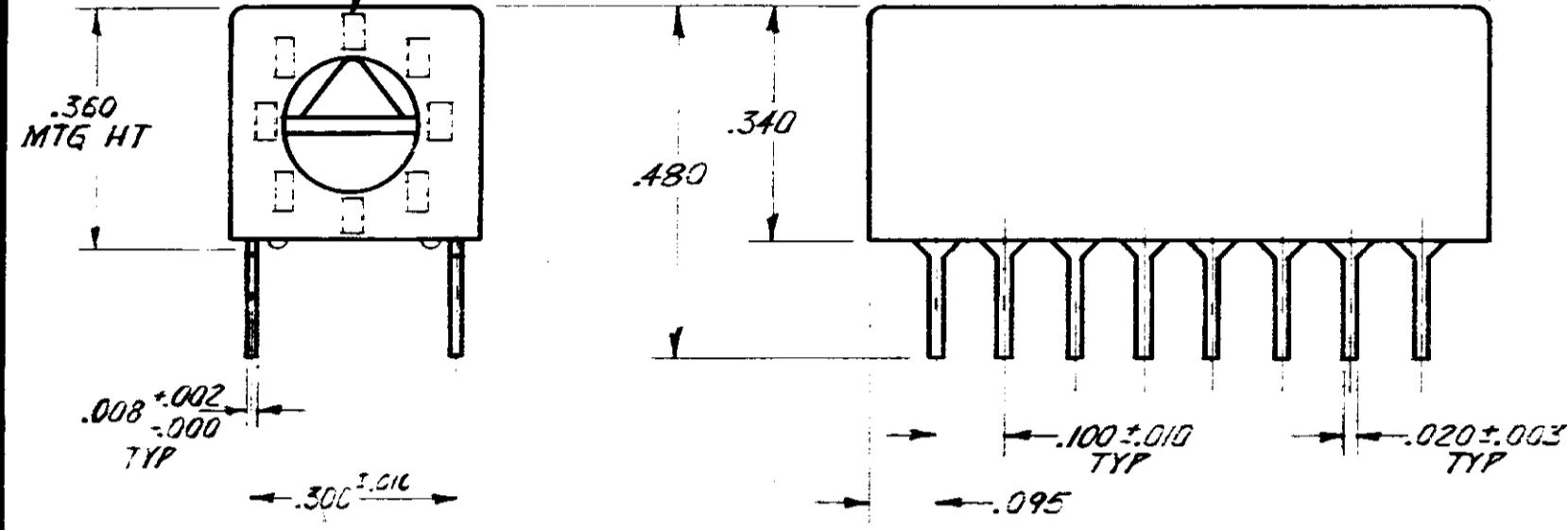
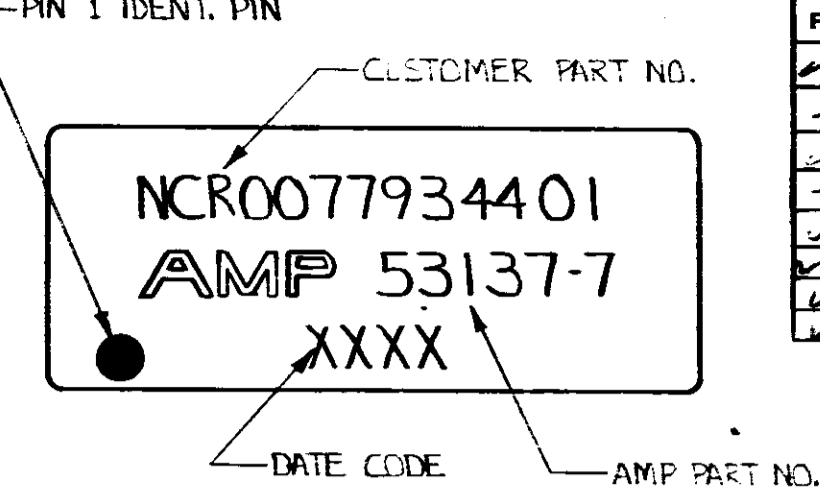
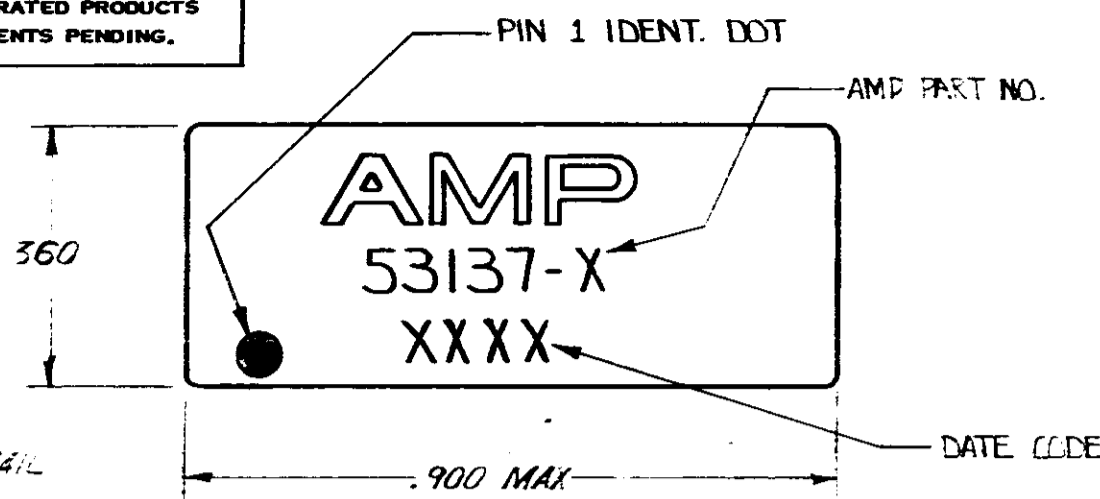


DRAWING MADE IN THIRD ANGLE PROJECTION

© COPYRIGHT 1972 BY AMP INCORPORATED, HARRISBURG, PA. ALL INTERNATIONAL RIGHTS RESERVED. AMP INCORPORATED PRODUCTS COVERED BY U. S. AND FOREIGN PATENTS AND/OR PATENTS PENDING.

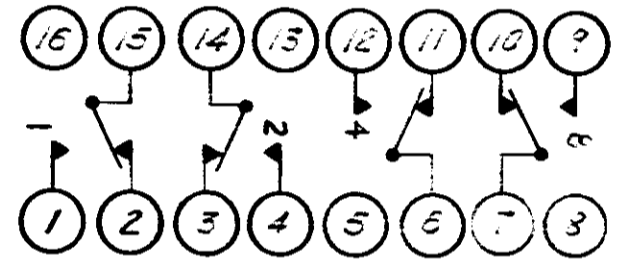
LOC 5 DIST 12

REVISIONS					
P	F	ZONE	LTR	DESCRIPTION	DATE APPROVED
✓		-	T	REVISED & REDRAWN PER UFS 78-1082	12-6-78 JSM JF
✓	CA	U		REVISED PER ECN PC 3363	4-30-78 GAS JH
✓		V		REV. PER PC-8556	1-21-80 BS
✓		W		REV. PER P81-0107	7-7-81 BE
✓		Y		LOC. S WAS G, UPDATED, EA 2309	12-82 DS
✓		Z		DIST. WAS 17 EA 2441	6-83 DJH
✓	AA			PUT NOTE INFO. INTO TABLE REVISED STAMPING EA 2483	8-83 DJH
✓	AB			REVISED MATL & FINISH NOTES ECN S2695	6-7-84 JM

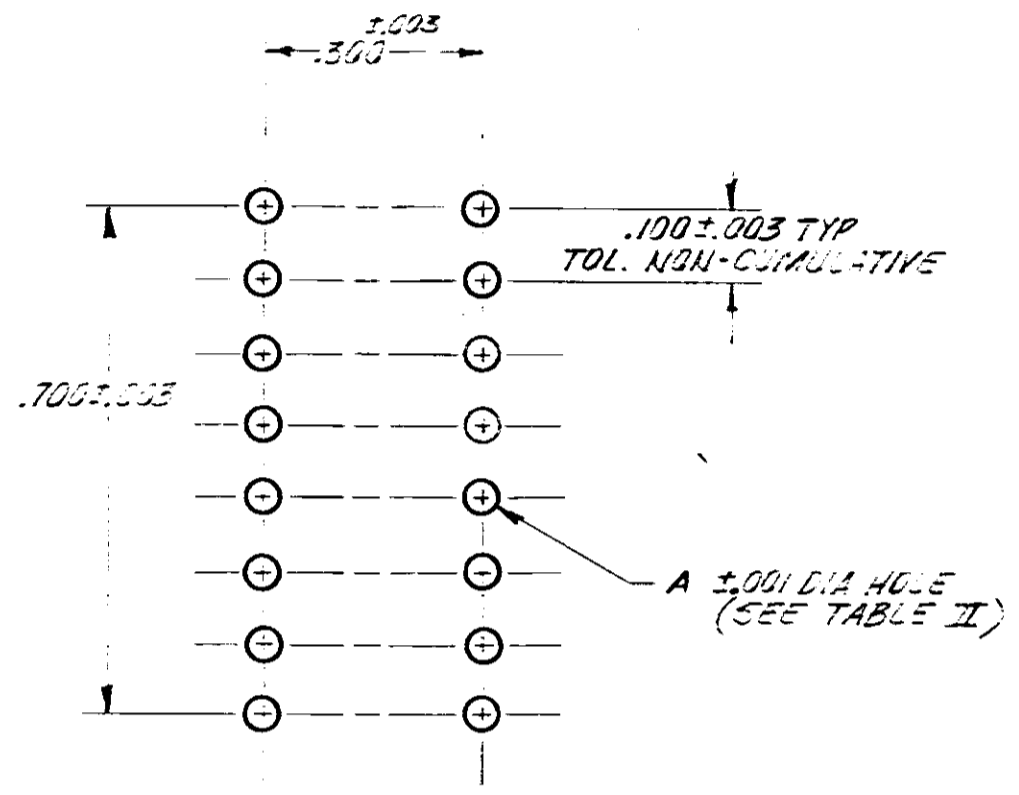


FOR UNSUPPORTED HOLE	.039
FOR PLATED THRU HOLE	.042
TYPE OF HOLE	A

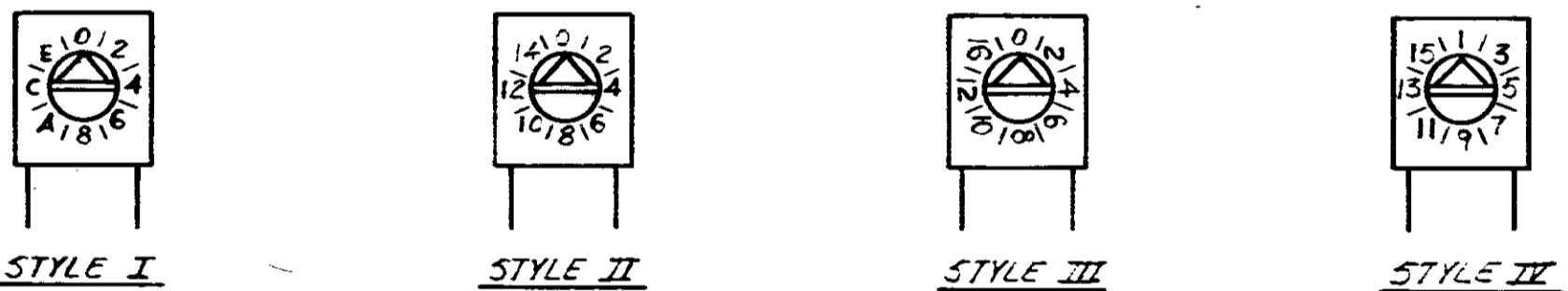
TABLE I



SCHEMATIC (POSITION 0)



HOLE PATTERN



STAMPING DETAILS

ON ALL 4 SIDES	STYLE II	53137-9
ON ALL 4 SIDES	STYLE II	53137-8
ON ALL 4 SIDES	STYLE I	53137-7
ON ALL 4 SIDES	STYLE II	53137-6
ON ALL 4 SIDES	STYLE I	53137-5
ON LEG SIDES ONLY	STYLE III	53137-3
ON LEG SIDES ONLY	STYLE II	53137-2
ON LEG SIDES ONLY	STYLE I	53137-1

HOUSING IS BLACK POLYESTER, CONTACTS ARE PHOS BRONZE

UNLESS OTHERWISE SPECIFIED DIMENSIONS ARE IN INCHES. TOLERANCES ON: DECIMALS ±.008 ANGLES ±		CONTRACT NO		AMP INCORPORATED Harrisburg, Pa.	
MATERIAL SEE TABLE		DR DANIEL J. MURRELL 12-5-78 CHK [Signature] 12-6-78 APPD [Signature] 12-6-78 APPD [Signature] 12-6-78		NAME PREPROGRAMMED DIP, 16 POSN, SCREWDRIVER SLOT, HEXADECIMAL W/COMPLEMENT	
FINISH CONTACTS: .000030 GOLD OVER NICKEL		DSGN APPD		SIZE CODE IDENT NO DRAWING NO C 00779 53137	
		OTHER APPD		SCALE 4-1 SHEET	