



Chipsmall Limited consists of a professional team with an average of over 10 year of expertise in the distribution of electronic components. Based in Hongkong, we have already established firm and mutual-benefit business relationships with customers from,Europe,America and south Asia,supplying obsolete and hard-to-find components to meet their specific needs.

With the principle of “Quality Parts,Customers Priority,Honest Operation,and Considerate Service”,our business mainly focus on the distribution of electronic components. Line cards we deal with include Microchip,ALPS,ROHM,Xilinx,Pulse,ON,Everlight and Freescale. Main products comprise IC,Modules,Potentiometer,IC Socket,Relay,Connector.Our parts cover such applications as commercial,industrial, and automotives areas.

We are looking forward to setting up business relationship with you and hope to provide you with the best service and solution. Let us make a better world for our industry!



Contact us

Tel: +86-755-8981 8866 Fax: +86-755-8427 6832

Email & Skype: info@chipsmall.com Web: www.chipsmall.com

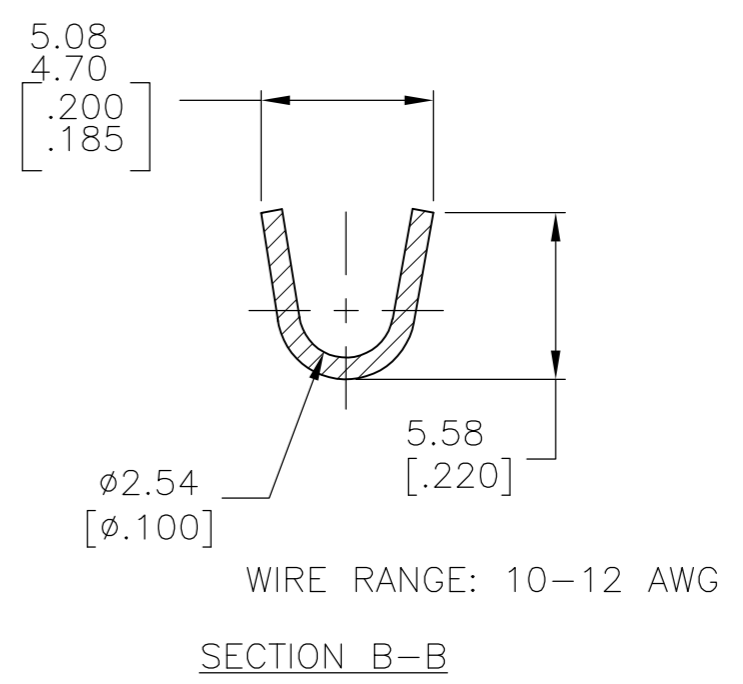
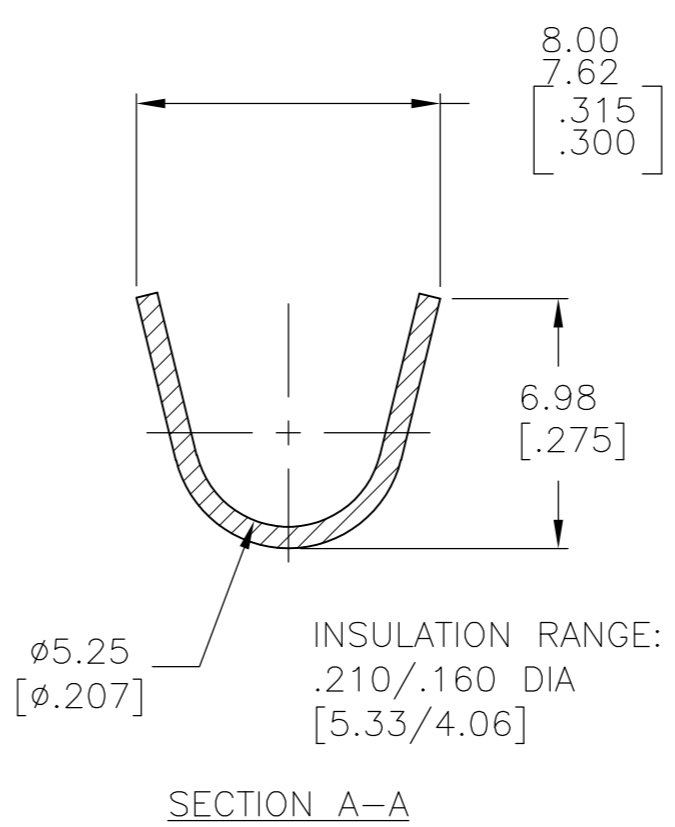
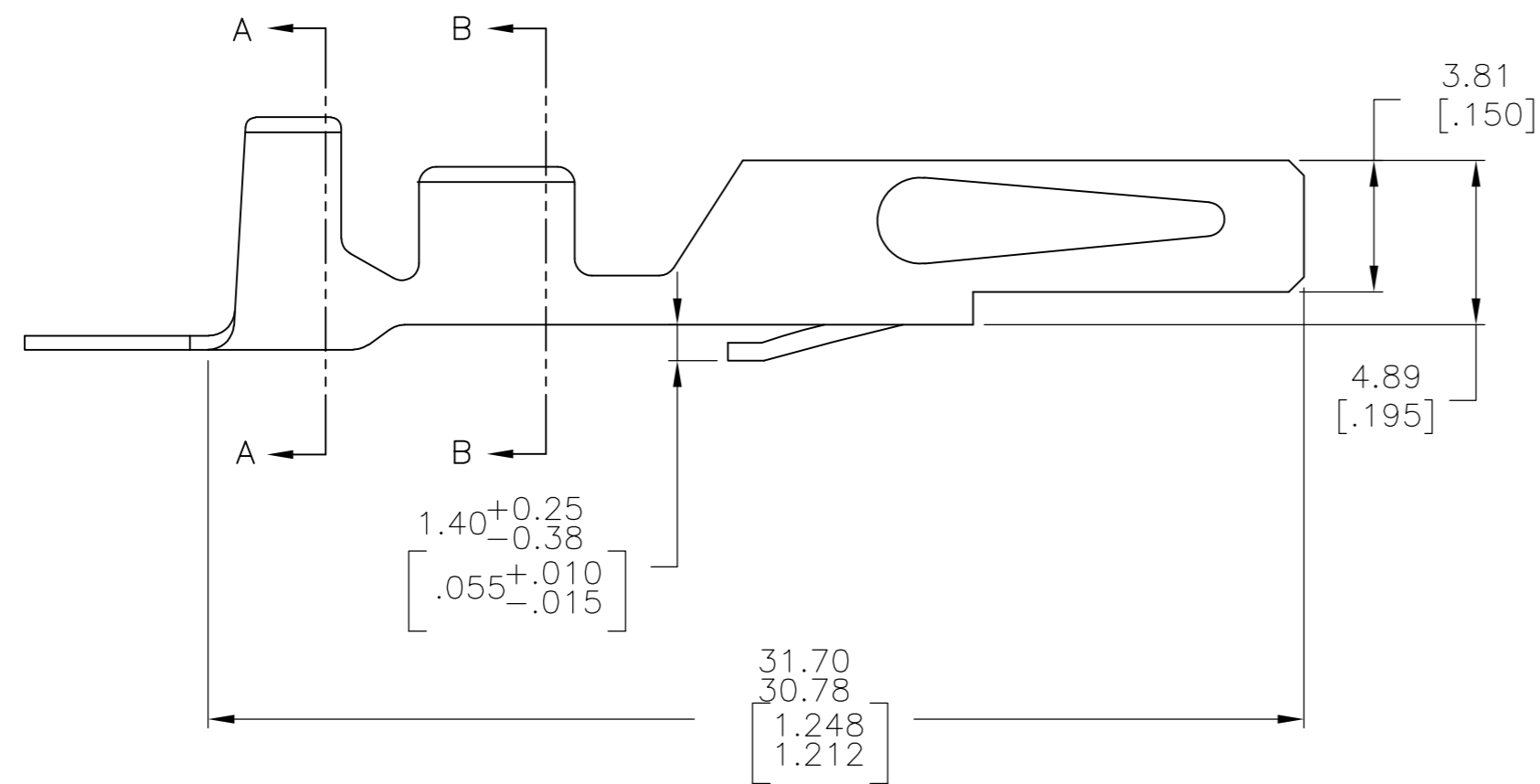
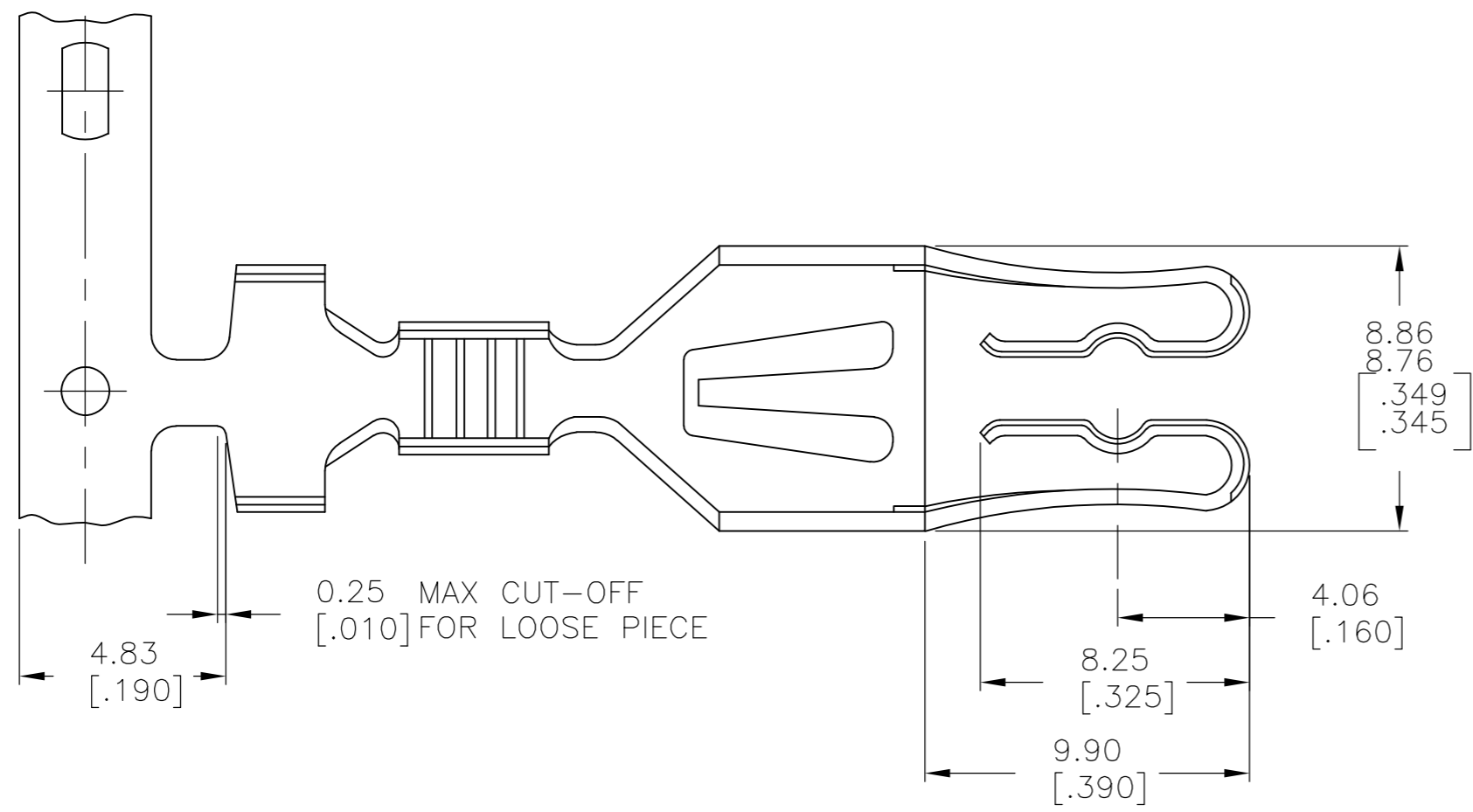
Address: A1208, Overseas Decoration Building, #122 Zhenhua RD., Futian, Shenzhen, China



THIS DRAWING IS UNPUBLISHED. RELEASED FOR PUBLICATION
 © COPYRIGHT - By - ALL RIGHTS RESERVED.

REVISIONS				
P	LTR	DESCRIPTION	DATE	APVD
E2		REVISED PER ECO-16-006308	08AUG2016	NK MM

- 1 0.000150 [.0038] BRIGHT TIN OVER 0.000030[.00076] NICKEL.
- 2 FIT FOR 0.093[2.36]±0.008[.20] THICK P.C BOARD.
- 3 DIMENSIONS IN BRACKETS ARE IN INCHES.
- 4 0.000150 [.0038] MATTE TIN OVER 0.000030[.00076] NICKEL.



531373-3	4	5-531373-2
531373-3	1	531373-2
LOOSE PIECE PART NO.	FINISH	PART NO.

THIS DRAWING IS A CONTROLLED DOCUMENT.		DWN	01FEB79	STE TE Connectivity	
DIMENSIONS: mm [INCHES]		CHK	02FEB79		
TOLERANCES UNLESS OTHERWISE SPECIFIED:		APVD	02FEB79	NAME	
0 PLC	± -	PRODUCT SPEC		CONTACT, HIGH CURRENT 10-12 AWG	
1 PLC	± -	APPLICATION SPEC		SIZE	CAGE CODE
2 PLC	± -	MATERIAL		DRAWING NO	RESTRICTED TO
3 PLC	± 0.127 [.005]	FINISH		A2	00779
4 PLC	± -	ALLOY CDA-194		C=531373	
ANGLES	± -	CUSTOMER DRAWING		SCALE	SHEET
	1			5:1	1 of 1
				REV	E2

531373

A