



Chipsmall Limited consists of a professional team with an average of over 10 year of expertise in the distribution of electronic components. Based in Hongkong, we have already established firm and mutual-benefit business relationships with customers from,Europe,America and south Asia,supplying obsolete and hard-to-find components to meet their specific needs.

With the principle of “Quality Parts,Customers Priority,Honest Operation,and Considerate Service”,our business mainly focus on the distribution of electronic components. Line cards we deal with include Microchip,ALPS,ROHM,Xilinx,Pulse,ON,Everlight and Freescale. Main products comprise IC,Modules,Potentiometer,IC Socket,Relay,Connector.Our parts cover such applications as commercial,industrial, and automotives areas.

We are looking forward to setting up business relationship with you and hope to provide you with the best service and solution. Let us make a better world for our industry!



## Contact us

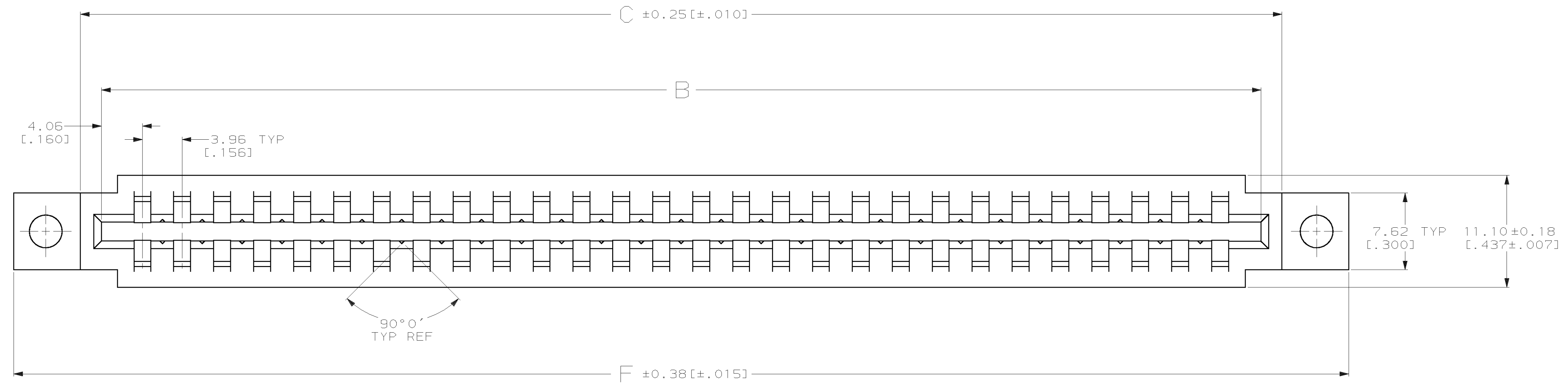
Tel: +86-755-8981 8866 Fax: +86-755-8427 6832

Email & Skype: info@chipsmall.com Web: www.chipsmall.com

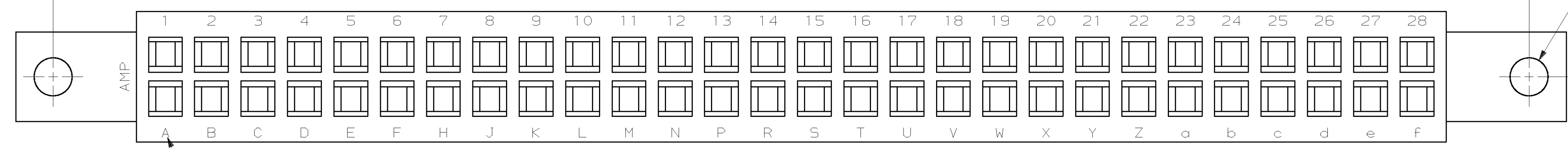
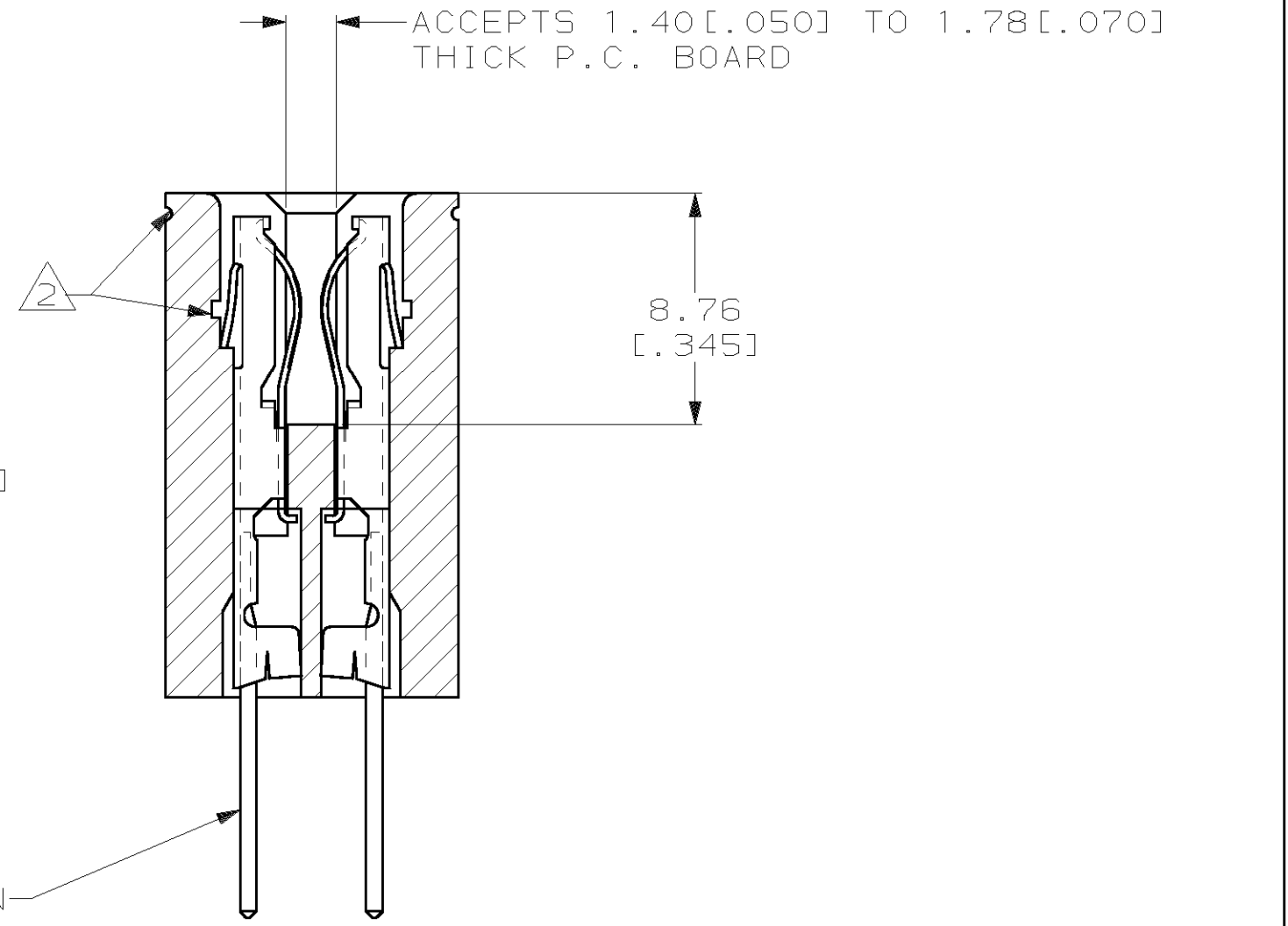
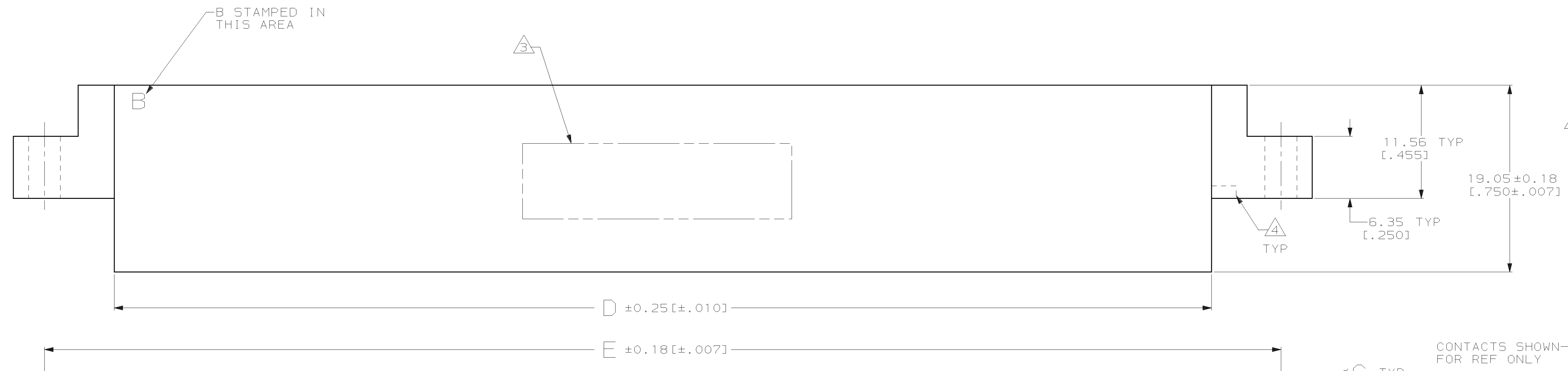
Address: A1208, Overseas Decoration Building, #122 Zhenhua RD., Futian, Shenzhen, China



| LOC | DIST | P | F | ZONE | LTR | DESCRIPTION              | DATE      | APPD |
|-----|------|---|---|------|-----|--------------------------|-----------|------|
| AD  | 00   |   |   |      |     |                          |           |      |
|     |      |   |   |      | E   | REDRAWN PER 0010-0052-94 | 2/18/94   | HR   |
|     |      |   |   |      | F   | REVISED PER 0010-0683-94 | 9/21/94   | HR   |
|     |      |   |   |      | G   | REVISED PER 0010-0812-95 | 9-22-95   | PEB  |
|     |      |   |   |      | H   | REV PER EC 0320-349-97   | 27 OCT 97 | NS   |
|     |      |   |   |      | J   | REV PER EC 063C-233-01   | 02OCT01   | MM   |



- 1 FIRST 22 POSITIONS MARKED WITH UPPER CASE LETTERS, FOLLOWED BY LOWER CASE LETTERS, FOLLOWED BY UPPERCASE AA, AB, AC ETC. CHARACTERS G, I, O AND Q ARE OMITTED. SEE TABLE FOR END CAVITY IDENTIFICATION.
- 2 PULL GROOVES OPTIONAL THESE LOCATIONS REF ONLY.
- 3 AMP PART NUMBER AND DATE CODE MARKED
- 4 CORING AT AMP'S OPTION REF ONLY.
- 5 OBSOLETE



|                  |             |                |                |                |                |                |      |             |
|------------------|-------------|----------------|----------------|----------------|----------------|----------------|------|-------------|
| 6 & F            | 3.25 [1.28] | 45.34 [1.785]  | 38.99 [1.535]  | 24.79 [0.976]  | 32.11 [1.264]  | 27.94 [1.100]  | 6    | 531479-3    |
| 18 & V           | 3.25 [1.28] | 92.89 [3.657]  | 86.54 [3.407]  | 72.34 [2.848]  | 79.65 [3.136]  | 75.49 [2.972]  | 18   | 531479-2    |
| 28 & F           | 3.25 [1.28] | 132.51 [5.217] | 126.16 [4.967] | 111.96 [4.408] | 119.28 [4.696] | 115.11 [4.532] | 28   | 531479-1    |
| END CAVITY IDENT | G           | F              | E              | D              | C              | B              | POSN | PART NUMBER |



|   |  |                           |  |   |  |
|---|--|---------------------------|--|---|--|
| DO NOT SCALE PRINT. UNLESS SPECIFIED DIMENSIONS IN mm [INCHES] TOLERANCES ON: |  | DR 12-11-92 J GALLUCCI BG |  | AMP Incorporated<br>Harrisburg, PA 17105-3508 |  |
| 2 PLC DEC ± -   |  | CHK 2/18/94 H ROSE        |  |   |  |
| 3 PLC DEC ± 0.131.005   |  | APPD 2/18/94 H ROSE       |  | NAME  |  |
| ANGLES ± -  |  | APPD 2/18/94 M THUMMA     |  | HOUSING, CRIMP SNAP TWIN LEAF, .156Q          |  |
| MATERIAL GLASS FILLED POLYESTER COLOR: BLACK                                  |  | PRODUCT SPEC -            |  | SIZE D  |  |
| FINISH -  |  | APPLICATION SPEC -        |  | CAGE CODE 00779                               |  |
|   |  | WEIGHT -                  |  | DRAWING NO C-531479                           |  |
|   |  |                           |  | SCALE 4:1                                     |  |
|   |  |                           |  | SHEET 1 OF 1                                  |  |

THIS DRAWING IS A CONTROLLED DOCUMENT FOR AMP INCORPORATED. IT IS SUBJECT TO CHANGE AND THE CONTROLLING ENGINEERING ORGANIZATION SHOULD BE CONTACTED FOR THE LATEST REVISION.