



Chipsmall Limited consists of a professional team with an average of over 10 year of expertise in the distribution of electronic components. Based in Hongkong, we have already established firm and mutual-benefit business relationships with customers from,Europe,America and south Asia,supplying obsolete and hard-to-find components to meet their specific needs.

With the principle of “Quality Parts,Customers Priority,Honest Operation,and Considerate Service”,our business mainly focus on the distribution of electronic components. Line cards we deal with include Microchip,ALPS,ROHM,Xilinx,Pulse,ON,Everlight and Freescale. Main products comprise IC,Modules,Potentiometer,IC Socket,Relay,Connector.Our parts cover such applications as commercial,industrial, and automotives areas.

We are looking forward to setting up business relationship with you and hope to provide you with the best service and solution. Let us make a better world for our industry!



## Contact us

Tel: +86-755-8981 8866 Fax: +86-755-8427 6832

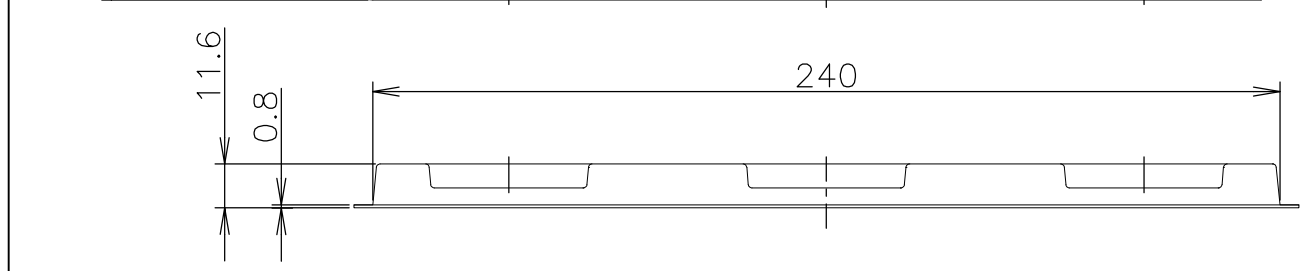
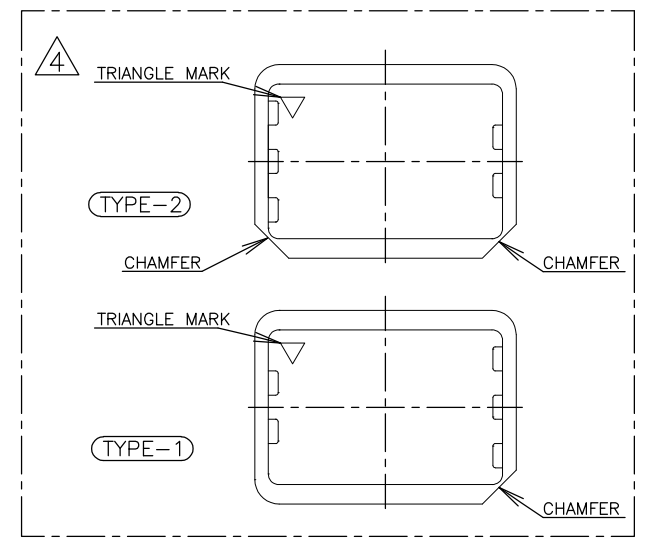
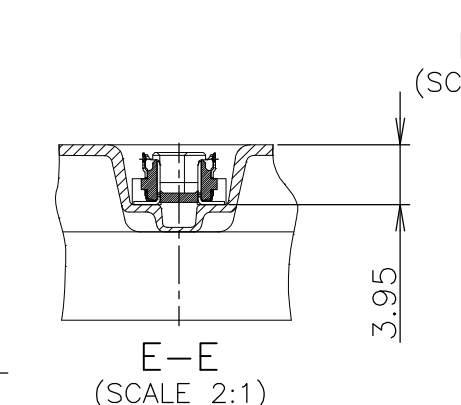
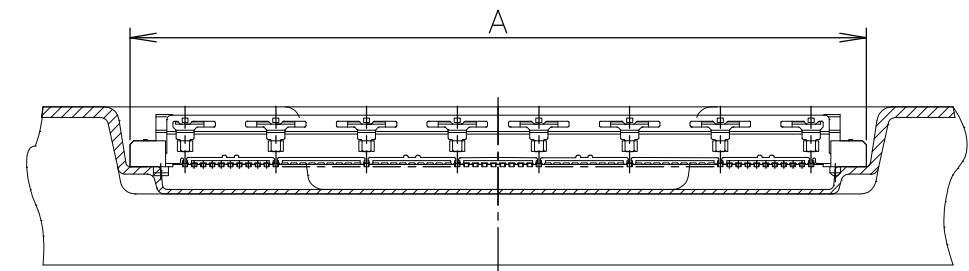
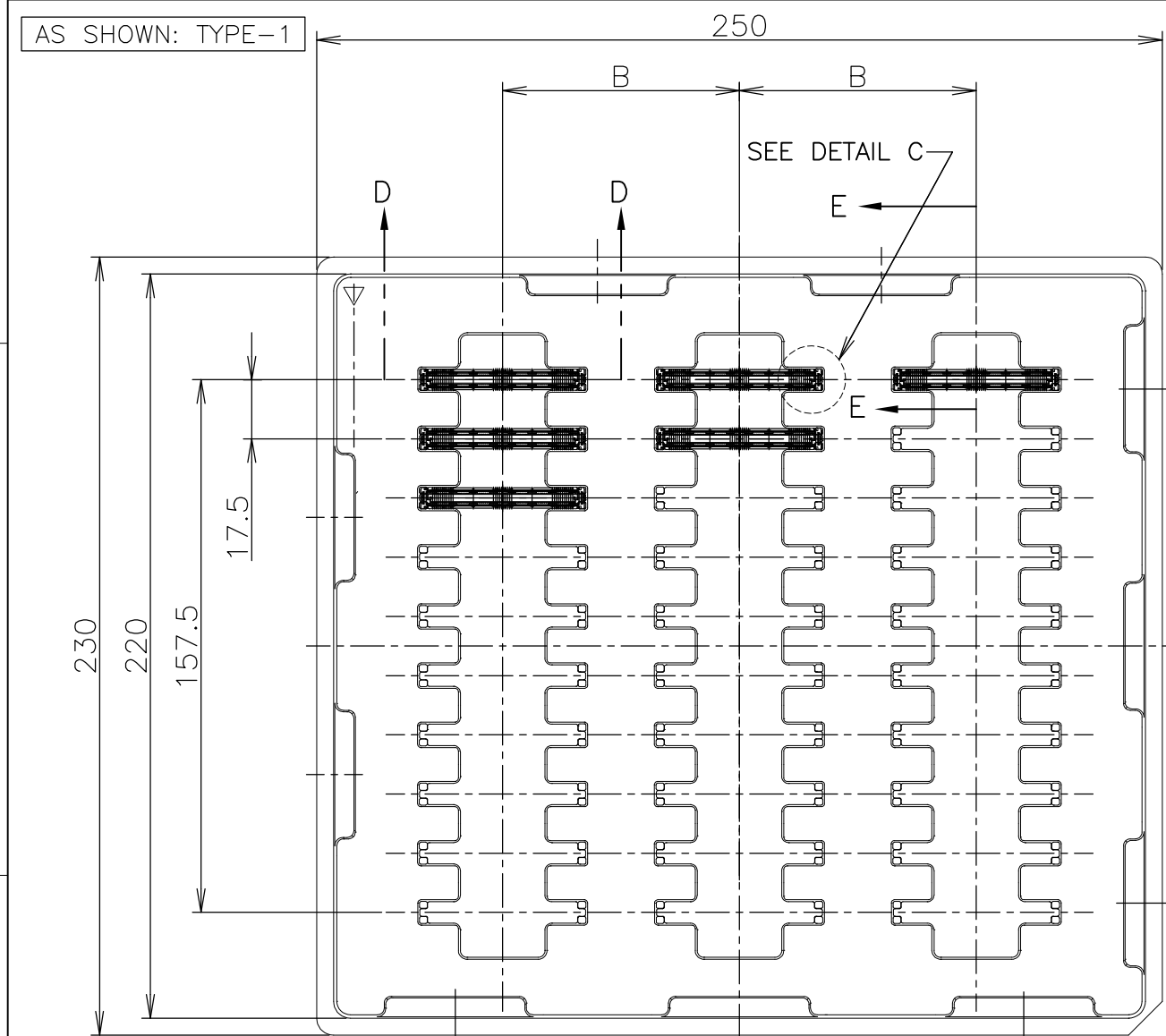
Email & Skype: info@chipsmall.com Web: www.chipsmall.com

Address: A1208, Overseas Decoration Building, #122 Zhenhua RD., Futian, Shenzhen, China

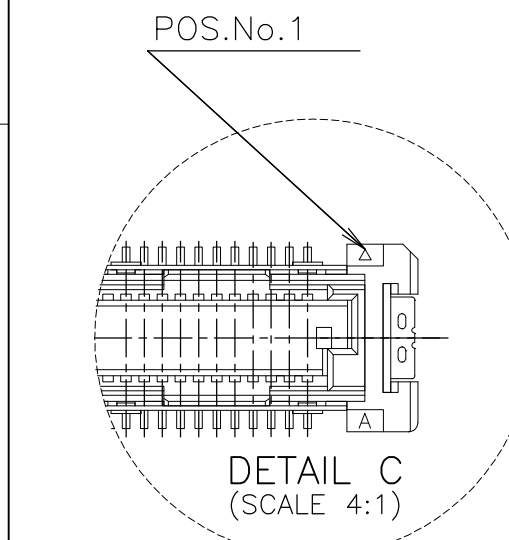


THIS DRAWING IS UNPUBLISHED. RELEASED FOR PUBLICATION MAY, 1995.  
 © COPYRIGHT 1995 BY TYCO ELECTRONICS CORPORATION. ALL RIGHTS RESERVED.

LOC	DIST	REVISIONS					
J		P	LTR	DESCRIPTION	DATE	DWN	APVD
		A	REVISED	ECR-08-000339	01FEB08	T.T	T.F



SEALANT	TOOLING STATUS	ROW	QTY	B	A	POS.	TRAY P/N	PART NO.
SEALANT	AVAILABLE	3	30	70	54.7	160	912063-9	6-5316076-1
	AVAILABLE	↑	↑	↑	48.7	140	912063-8	6-↑-0
	NOT AVAILABLE	↓	↓	↓	42.7	120	4-912065-9	5-↓-9
	↑	↓	↓	↓	36.7	100	8-912066-2	5-↓-8
	↓	3	30	70	33.7	90	9-912066-6	5-↓-7
	↓	5	50	43	30.7	80	912067-3	5-↓-6
	↑	↑	↑	↑	27.7	70	912063-1	5-↓-5
	NOT AVAILABLE	↑	↑	↑	24.7	60	9-912066-5	5-↓-4
	AVAILABLE	↓	↓	↓	21.7	50	9-912062-9	5-↓-3
	NOT AVAILABLE	↓	↓	↓	18.7	40	9-912066-4	5-↓-2
	NOT AVAILABLE	5	50	43	15.7	30	9-912066-3	5-5316076-1
	NON SEALANT	AVAILABLE	3	30	70	54.7	160	912063-9
AVAILABLE		↑	↑	↑	48.7	140	912063-8	1-↑-0
NOT AVAILABLE		↓	↓	↓	42.7	120	4-912065-9	↓-9
↑		↓	↓	↓	36.7	100	8-912066-2	↓-8
↓		3	30	70	33.7	90	9-912066-6	↓-7
↓		5	50	43	30.7	80	912067-3	↓-6
↑		↑	↑	↑	27.7	70	912063-1	↓-5
NOT AVAILABLE		↑	↑	↑	24.7	60	9-912066-5	↓-4
AVAILABLE		↓	↓	↓	21.7	50	9-912062-9	↓-3
NOT AVAILABLE		↓	↓	↓	18.7	40	9-912066-4	↓-2
NOT AVAILABLE		5	50	43	15.7	30	9-912066-3	5316076-1



⚠ TRAY TYPE-1 AND TYPE-2 MUST BE  
 PILED UP BY TURNS.  
 (REFER TO PACKING SPECIFICATIONS)

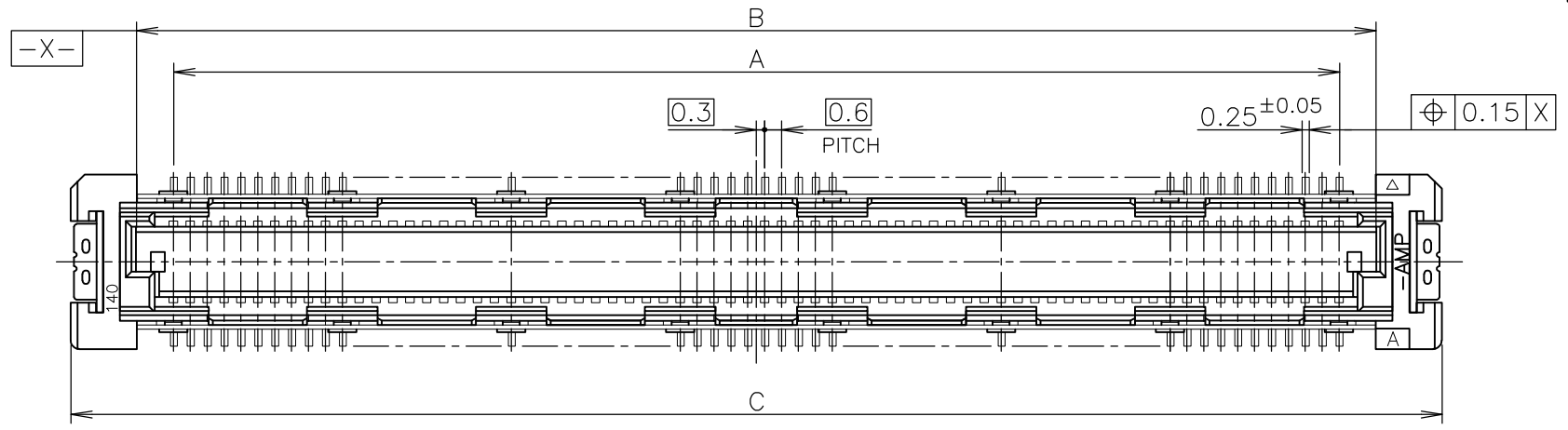
GENERAL TOLERANCE  
 一般公差  
 10 ≥ ±0.2  
 30 ≥ >10: ±0.25  
 100 ≥ >30: ±0.3  
 ANGLES: ±3°

THIS DRAWING IS A CONTROLLED DOCUMENT.

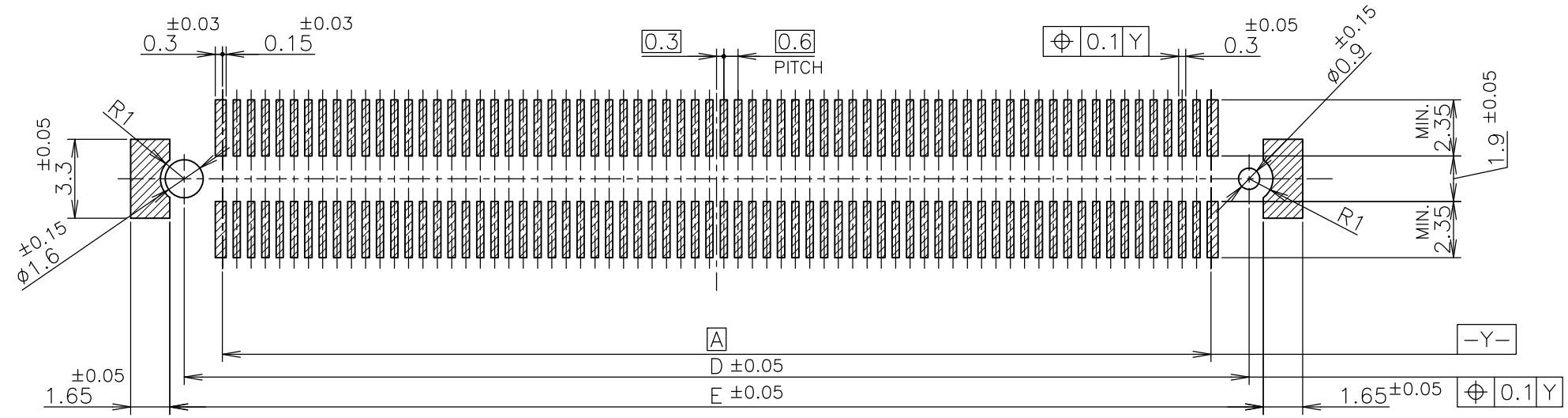
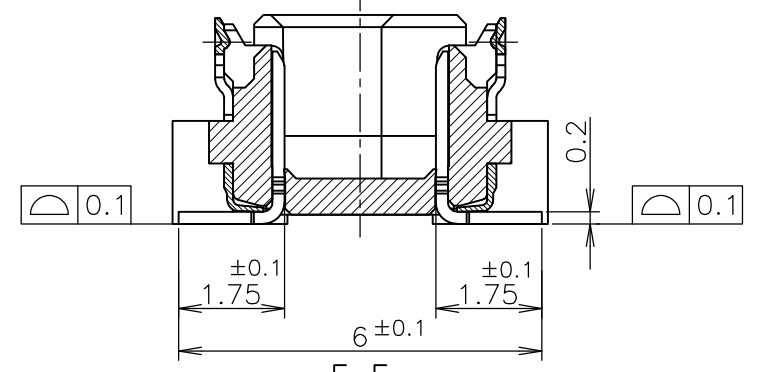
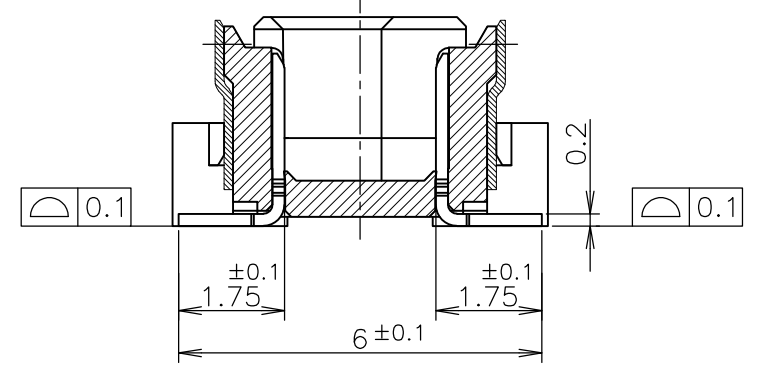
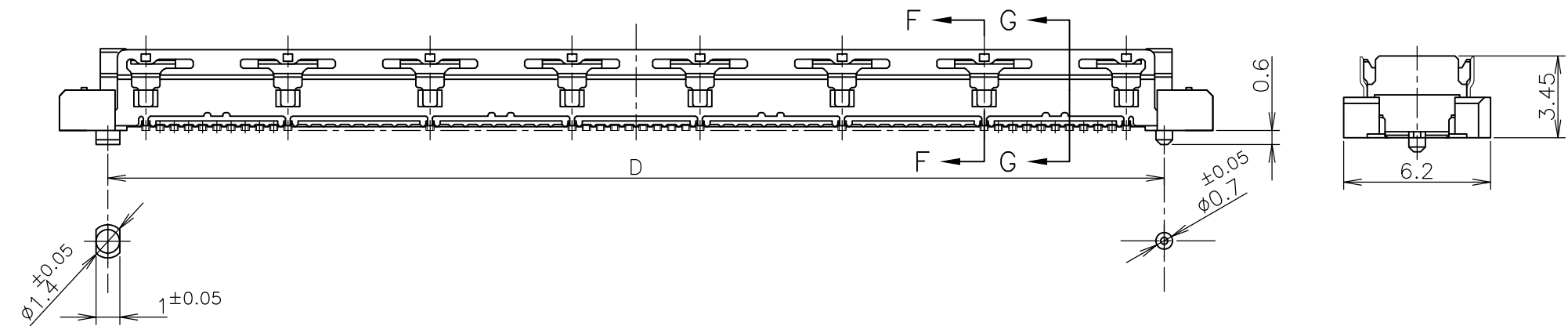
DIMENSIONS: MM	TOLERANCES UNLESS OTHERWISE SPECIFIED:	DWN HAWKING HE 21DEC04	Tyco Electronics Corporation Kawasaki, Japan
	0 PLC ± - 1 PLC ± - 2 PLC ± - 3 PLC ± - 4 PLC ± - ANGLES ± - FINISH ± -	CHK STEVEN YAO 21DEC04	
		APVD I.ENOMOTO 21DEC04	
		NAME	
MATERIAL		PRODUCT SPEC 108-60047	TRAY ASSY FH 0.6BTB CONNECTOR PLUG 4H W/G-CONT
		APPLICATION SPEC 114-5255	SIZE CAGE CODE DRAWING NO RESTRICTED TO
		WEIGHT	A3 00779 C-5316076
CUSTOMER DRAWING			SCALE 1:2 SHEET 1 OF 3 REV A

THIS DRAWING IS UNPUBLISHED. RELEASED FOR PUBLICATION MAY, 1995.  
 © COPYRIGHT 1995 BY TYCO ELECTRONICS CORPORATION. ALL RIGHTS RESERVED.

LOC	DIST	REVISIONS					
		P	LTR	DESCRIPTION	DATE	DWN	APVD
J			-	SEE SHEET 1	-	-	-



- ⚠ MATERIAL ; HOUSING : HIGH TEMP THERMO PLASTIC UL94V-0
- CONTACT : COPPER ALLOY
- ⚠ FINISH ; UNDER PL Ni 0.0013mm MIN ALL OVER.
- CONTACT AREA 0.0002 MIN Au PL.
- SOLDERING AREA 0.001 MIN TIN PL.
- ⚠ THIS POSITION IS GROUND CIRCUIT.



REFERENCE P.C.BOARD LAYOUT

AVAILABLE	51.8	50.6	54.7	50	47.4	160
AVAILABLE	45.8	44.6	48.7	44	41.4	140
NOT AVAILABLE	39.8	38.6	42.7	38	35.4	120
AVAILABLE	33.8	32.6	36.7	32	29.4	100
NOT AVAILABLE	30.8	29.6	33.7	29	26.4	90
NOT AVAILABLE	27.8	26.6	30.7	26	23.4	80
AVAILABLE	24.8	23.6	27.7	23	20.4	70
AVAILABLE	21.8	20.6	24.7	20	17.4	60
AVAILABLE	18.8	17.6	21.7	17	14.4	50
NOT AVAILABLE	15.8	14.6	18.7	14	11.4	40
NOT AVAILABLE	12.8	11.6	15.7	11	8.4	30
TOOLING STATUS	E	D	C	B	A	POS

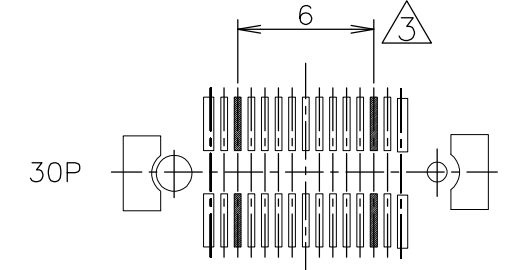
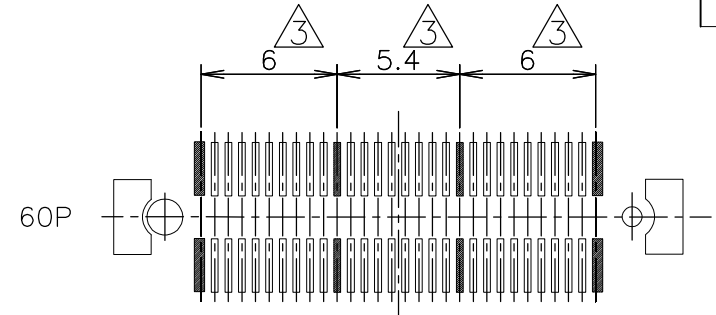
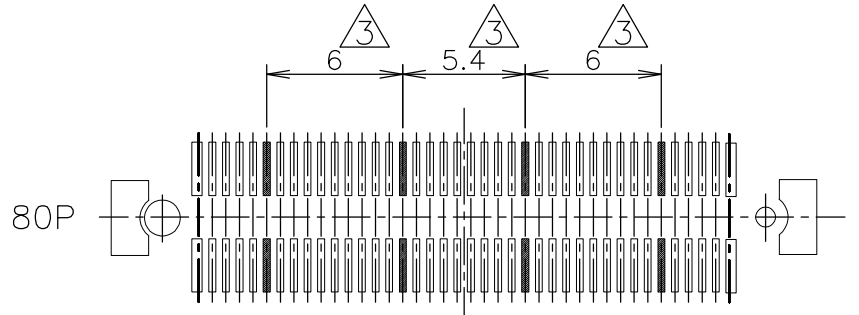
THIS DRAWING IS A CONTROLLED DOCUMENT.		DWN		Tyco Electronics Corporation	
DIMENSIONS: MM		CHK		Kawasaki, Japan	
TOLERANCES UNLESS OTHERWISE SPECIFIED:		APVD		NAME	
0 PLC ± 0.3		PRODUCT SPEC		TRAY ASSY	
1 PLC ± 0.3		APPLICATION SPEC		FH 0.6BTB CONNECTOR	
2 PLC ± 0.3		WEIGHT		PLUG 4H W/G-CONT	
3 PLC ± 0.3		SIZE		A3	
4 PLC ± 0.3		CAGE CODE		00779	
ANGLES ± 3'		DRAWING NO		G-5316076	
FINISH		RESTRICTED TO			
MATERIAL		CUSTOMER DRAWING		SCALE 4:1	
⚠				SHEET 2 OF 3	
⚠				REV A	

THIS DRAWING IS UNPUBLISHED. RELEASED FOR PUBLICATION MAY, 1995.  
 © COPYRIGHT 1995 BY TYCO ELECTRONICS CORPORATION. ALL RIGHTS RESERVED.

LOC J	DIST /	REVISIONS		
P	LTR	DESCRIPTION	DATE	DWN APVD
	-	SEE SHEET 1	-	- -

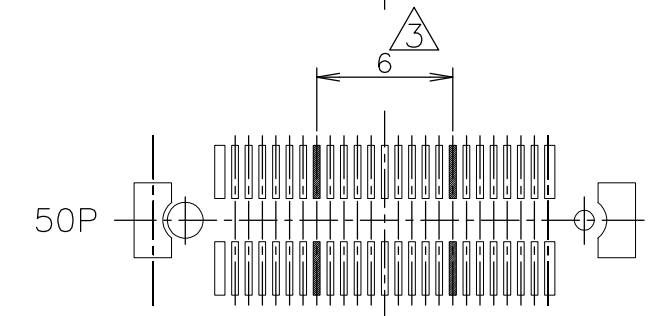
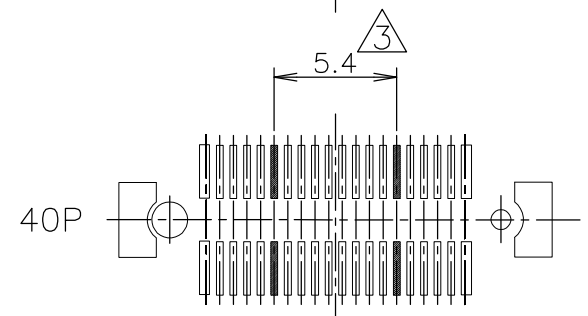
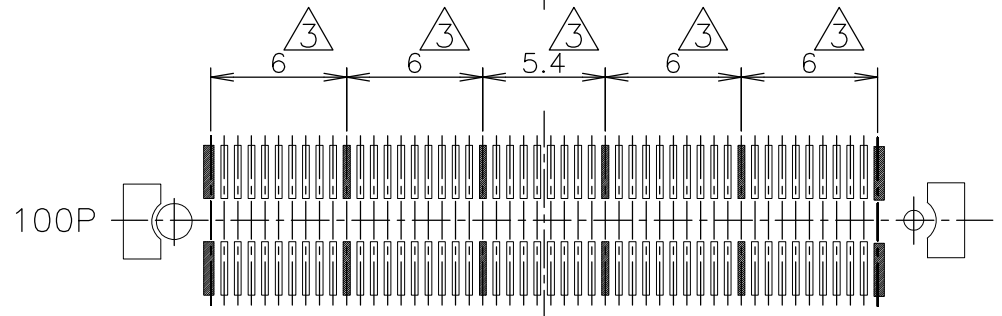
D

D



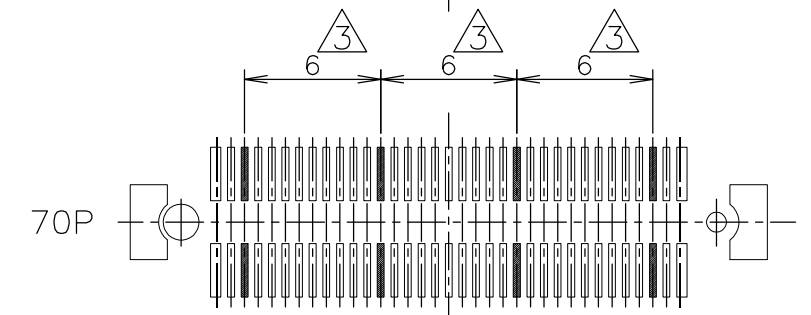
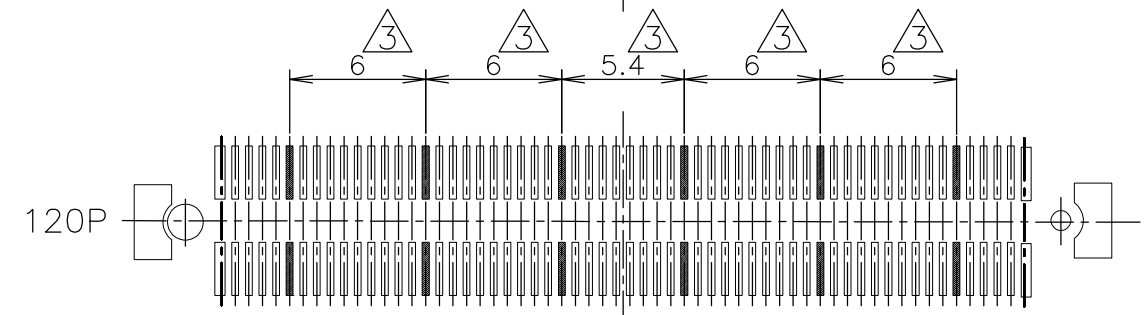
C

C



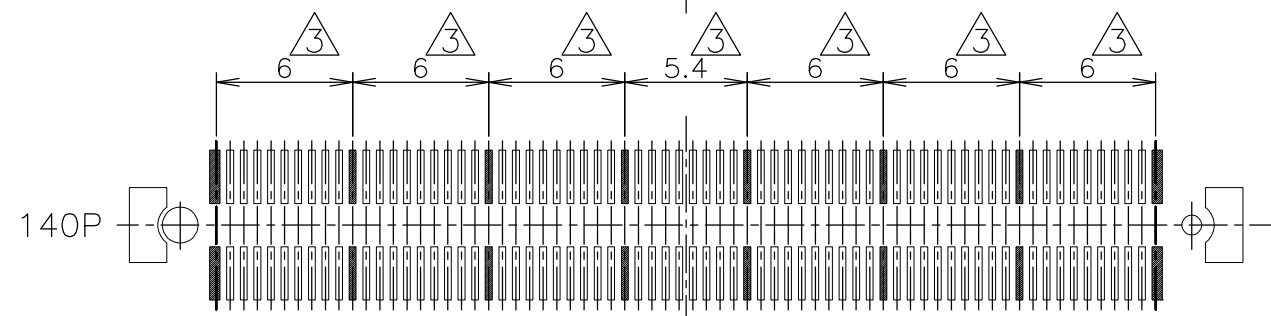
C

C



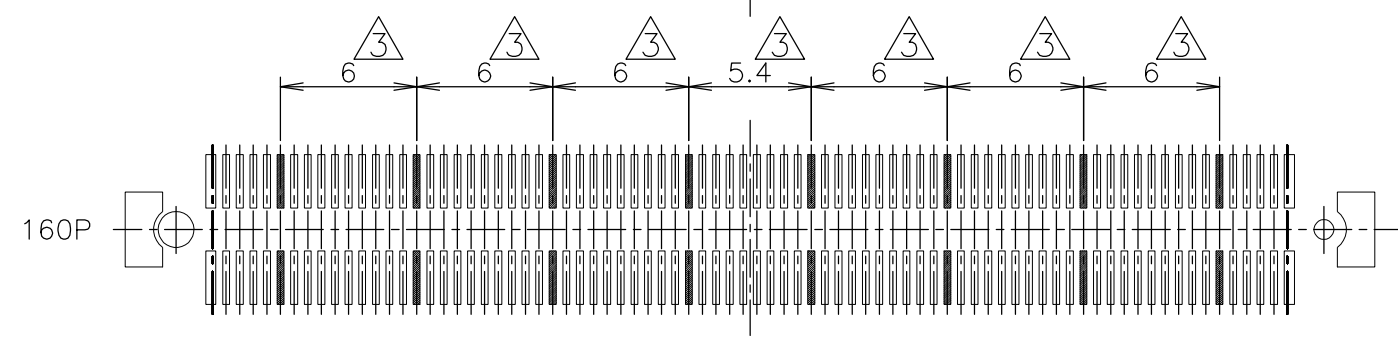
B

B



A

A



THIS DRAWING IS A CONTROLLED DOCUMENT.		DWN	Tyco Electronics Corporation Kawasaki, Japan		
DIMENSIONS: MM		CHK	NAME		
TOLERANCES UNLESS OTHERWISE SPECIFIED:		APVD	TRAY ASSY FH 0.6BTB CONNECTOR PLUG 4H W/G-CONT		
0 PLC ± 0.3		PRODUCT SPEC	SIZE	CAGE CODE	DRAWING NO
1 PLC ± 0.3		APPLICATION SPEC	A3	00779	C-5316076
2 PLC ± 0.3		WEIGHT	RESTRICTED TO		
3 PLC ± 0.3		CUSTOMER DRAWING	SCALE 3:1 SHEET 3 OF 3 REV A		
4 PLC ± 0.3					
ANGLES ± 3'					
FINISH					