



Chipsmall Limited consists of a professional team with an average of over 10 year of expertise in the distribution of electronic components. Based in Hongkong, we have already established firm and mutual-benefit business relationships with customers from,Europe,America and south Asia,supplying obsolete and hard-to-find components to meet their specific needs.

With the principle of “Quality Parts,Customers Priority,Honest Operation,and Considerate Service”,our business mainly focus on the distribution of electronic components. Line cards we deal with include Microchip,ALPS,ROHM,Xilinx,Pulse,ON,Everlight and Freescale. Main products comprise IC,Modules,Potentiometer,IC Socket,Relay,Connector.Our parts cover such applications as commercial,industrial, and automotives areas.

We are looking forward to setting up business relationship with you and hope to provide you with the best service and solution. Let us make a better world for our industry!



Contact us

Tel: +86-755-8981 8866 Fax: +86-755-8427 6832

Email & Skype: info@chipsmall.com Web: www.chipsmall.com

Address: A1208, Overseas Decoration Building, #122 Zhenhua RD., Futian, Shenzhen, China

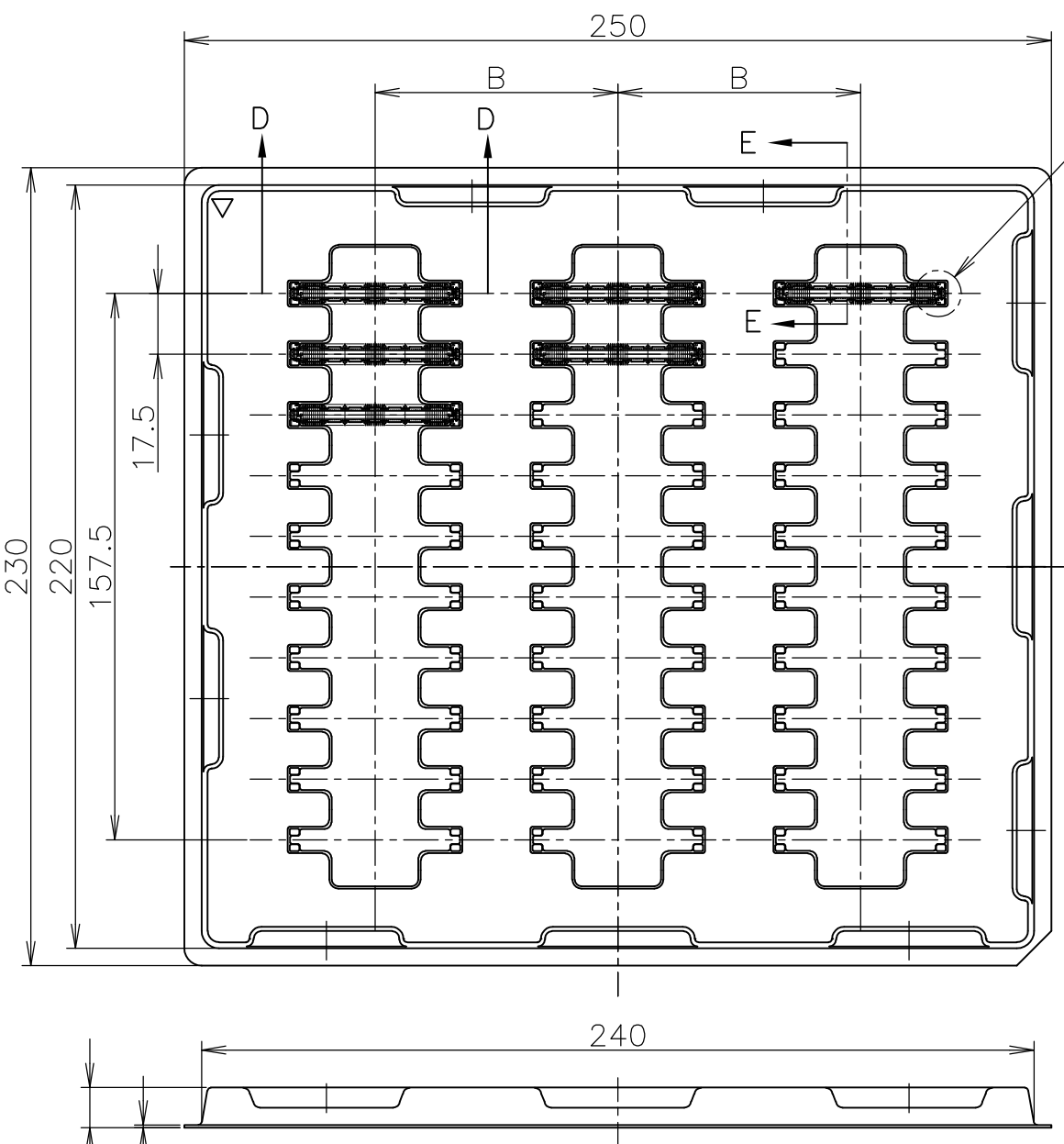


THIS DRAWING IS UNPUBLISHED. RELEASED FOR PUBLICATION MAY, 1995.

© COPYRIGHT 1995 BY TYCO ELECTRONICS CORPORATION. ALL RIGHTS RESERVED.

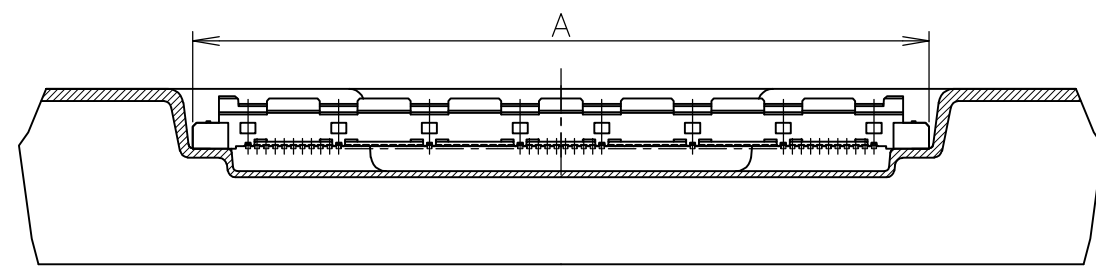
LOC	DIST	REVISIONS		
J		変更		
P	LTR	DESCRIPTION	DATE	DWN
	A	REVISED ECR-08-000339	01FEB08	T.T
				APVD
				T.F

AS SHOWN: TYPE-1

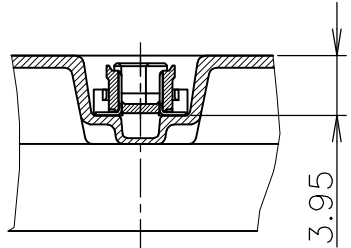
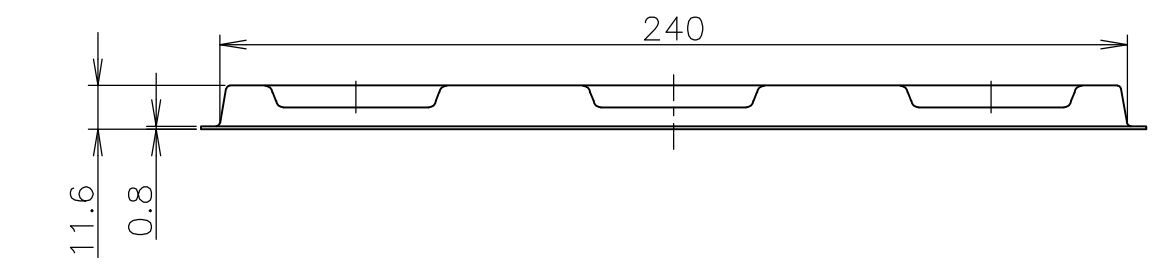
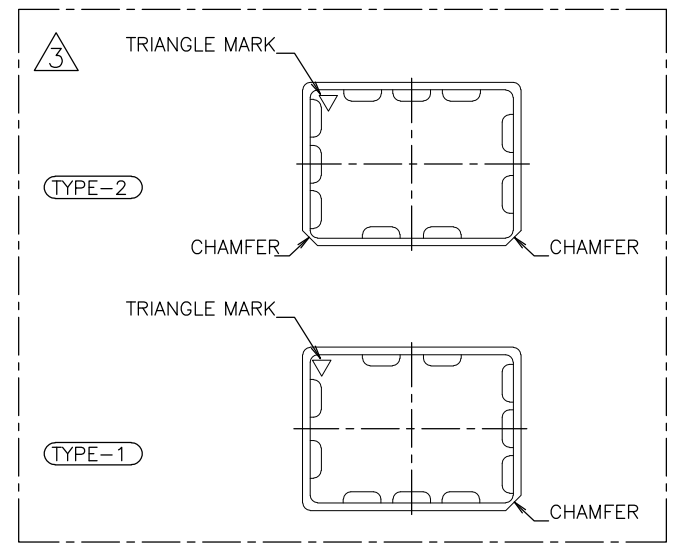


DETAIL C

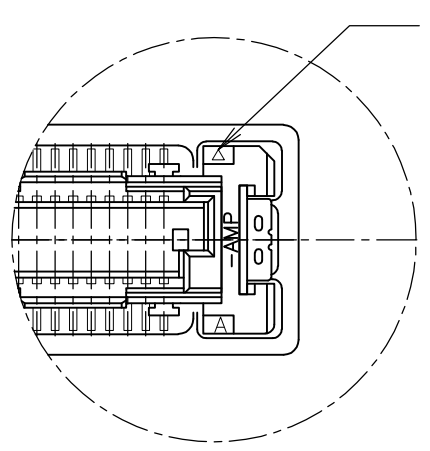
⚠ TRAY TYPE-1 AND TYPE-2 MUST BE PILED UP BY TURNS. (REFER TO PACKING SPECIFICATIONS)



D-D (SCALE 2:1)



E-E (SCALE 2:1)



POSITION NO.1

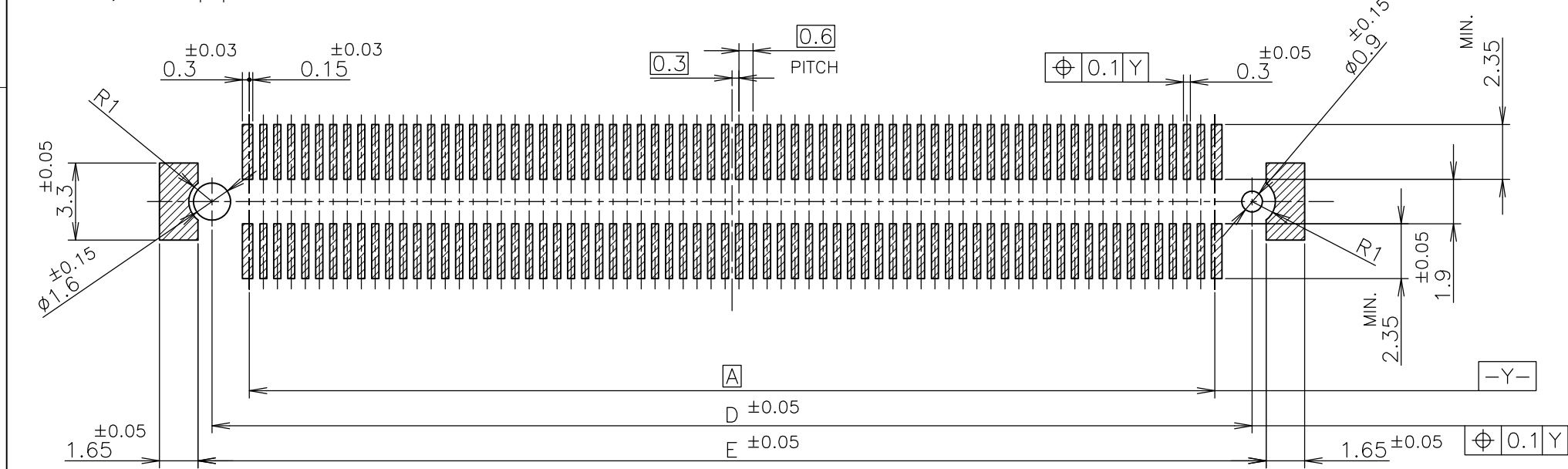
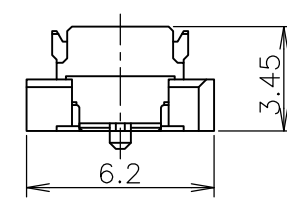
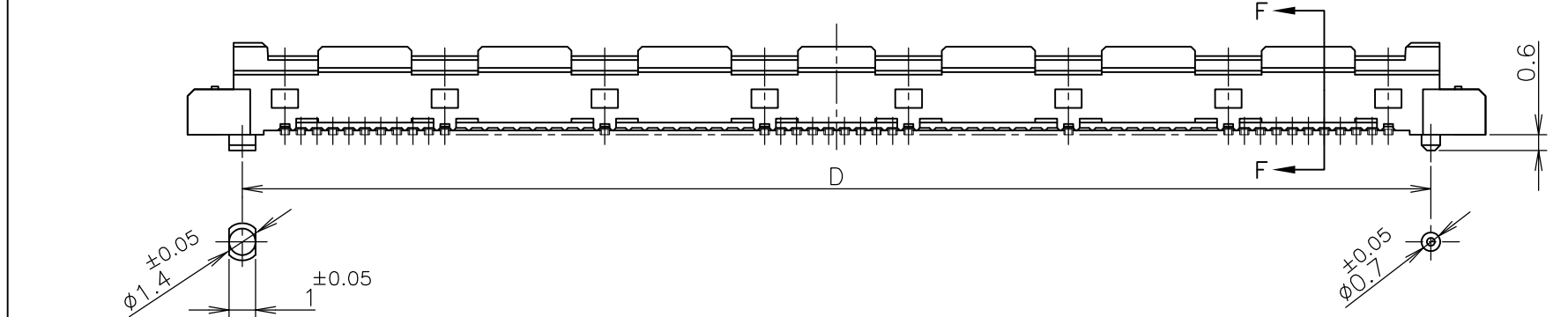
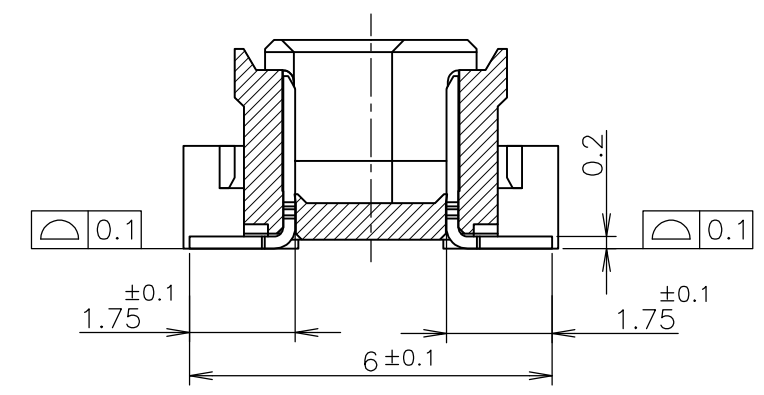
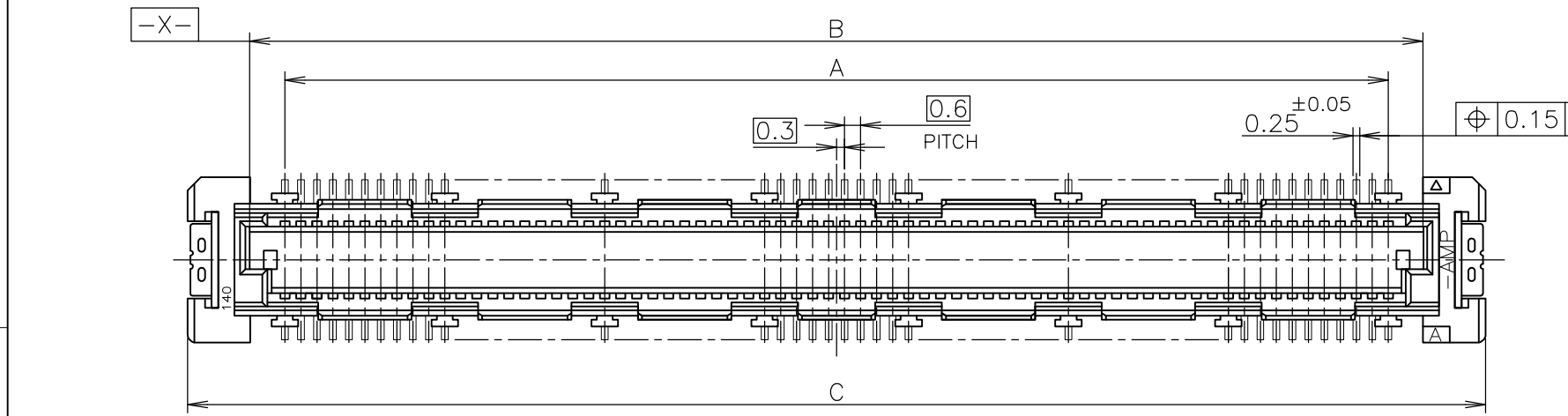
DETAIL C (SCALE 4:1)

SEALANT	NOT AVAILABLE	3	30	70	54.7	160	912063-9	6-5316135-1	
		↑	↑	↑	48.7	140	912063-8	6-↑ -0	
					42.7	120	4-912065-9	5-↑ -9	
					36.7	100	8-912066-2	5-↑ -8	
		3	30	70	33.7	90	9-912066-6	5-↑ -7	
		5	50	43	30.7	80	912067-3	5-↑ -6	
		↑	↑	↑	27.7	70	912063-1	5-↑ -5	
					24.7	60	9-912066-5	5-↑ -4	
					21.7	50	9-912062-9	5-↑ -3	
					18.7	40	9-912066-4	5-↑ -2	
	NON SEALANT	NOT AVAILABLE	5	50	43	15.7	30	9-912066-3	5-5316135-1
		AVAILABLE	3	30	70	54.7	160	912063-9	1-5316135-1
AVAILABLE		↑	↑	↑	48.7	140	912063-8	1-↑ -0	
NOT AVAILABLE					42.7	120	4-912065-9	↑ -9	
		3	30	70	36.7	100	8-912066-2	↑ -8	
		5	50	43	33.7	90	9-912066-6	↑ -7	
NOT AVAILABLE		5	50	43	30.7	80	912067-3	↑ -6	
AVAILABLE		↑	↑	↑	27.7	70	912063-1	↑ -5	
NOT AVAILABLE					24.7	60	9-912066-5	↑ -4	
AVAILABLE					21.7	50	9-912062-9	↑ -3	
NOT AVAILABLE		3	30	70	18.7	40	9-912066-4	↑ -2	
NOT AVAILABLE		5	50	43	15.7	30	9-912066-3	5316135-1	

THIS DRAWING IS A CONTROLLED DOCUMENT.		DWN	HAWKING HE	21DEC04	Tyco Electronics Corporation		Kawasaki, Japan		
DIMENSIONS: 単位: 耗 mm		CHK	STEVEN YAO	21DEC04	NAME 名称		SOFT TRAY ASSY		
TOLERANCES UNLESS OTHERWISE SPECIFIED: 一般公差		APVD	I.ENOMOTO	21DEC04	PRODUCT SPEC		FH 0.6BTB CONNECTOR		
0 PLC ± 0.3		APPLICATION SPEC		取付適用規格		108-60047		PLUG 4H STD	
1 PLC ± 0.3		MATERIAL 材料		FINISH 仕上		WEIGHT		RESTRICTED TO	
2 PLC ± 0.3		CUSTOMER DRAWING		SCALE 尺度 1:2		SHEET 1 OF 2		REV A	
3 PLC ± 0.3		DWN		HAWKING HE		21DEC04		Tyco Electronics Corporation	
4 PLC ± 0.3		CHK		STEVEN YAO		21DEC04		Kawasaki, Japan	
ANGLES ± 3'		APVD		I.ENOMOTO		21DEC04		NAME 名称	
		PRODUCT SPEC		取付適用規格		108-60047		SOFT TRAY ASSY	
		MATERIAL 材料		FINISH 仕上		WEIGHT		RESTRICTED TO	
		CUSTOMER DRAWING		SCALE 尺度 1:2		SHEET 1 OF 2		REV A	
		DWN		HAWKING HE		21DEC04		Tyco Electronics Corporation	
		CHK		STEVEN YAO		21DEC04		Kawasaki, Japan	
		APVD		I.ENOMOTO		21DEC04		NAME 名称	
		PRODUCT SPEC		取付適用規格		108-60047		SOFT TRAY ASSY	
		MATERIAL 材料		FINISH 仕上		WEIGHT		RESTRICTED TO	
		CUSTOMER DRAWING		SCALE 尺度 1:2		SHEET 1 OF 2		REV A	
		DWN		HAWKING HE		21DEC04		Tyco Electronics Corporation	
		CHK		STEVEN YAO		21DEC04		Kawasaki, Japan	
		APVD		I.ENOMOTO		21DEC04		NAME 名称	
		PRODUCT SPEC		取付適用規格		108-60047		SOFT TRAY ASSY	
		MATERIAL 材料		FINISH 仕上		WEIGHT		RESTRICTED TO	
		CUSTOMER DRAWING		SCALE 尺度 1:2		SHEET 1 OF 2		REV A	

THIS DRAWING IS UNPUBLISHED. RELEASED FOR PUBLICATION MAY, 1995.
 © COPYRIGHT 1995 BY TYCO ELECTRONICS CORPORATION. ALL RIGHTS RESERVED.

LOC	DIST	REVISIONS		
J		P	LTR	DESCRIPTION
				DATE
				DWN
				APVD



△ MATERIAL ; HOUSING : HIGH TEMP THERMO PLASTIC UL94V-0
 CONTACT : COPPER ALLOY
 △ FINISH ; UNDER PL Ni 0.0013mm MIN ALL OVER.
 CONTACTING AREA 0.0002 MIN Au PL.
 SOLDERING AREA 0.001 MIN TIN PL.

REFERENCE P.C.BOARD LAYOUT

AVAILABLE	51.8	50.6	54.7	50	47.4	160
AVAILABLE	45.8	44.6	48.7	44	41.4	140
NOT AVAILABLE	39.8	38.6	42.7	38	35.4	120
AVAILABLE	33.8	32.6	36.7	32	29.4	100
NOT AVAILABLE	30.8	29.6	33.7	29	26.4	90
NOT AVAILABLE	27.8	26.6	30.7	26	23.4	80
AVAILABLE	24.8	23.6	27.7	23	20.4	70
AVAILABLE	21.8	20.6	24.7	20	17.4	60
AVAILABLE	18.8	17.6	21.7	17	14.4	50
NOT AVAILABLE	15.8	14.6	18.7	14	11.4	40
NOT AVAILABLE	12.8	11.6	15.7	11	8.4	30
TOOLING STATUS	E	D	C	B	A	POS

THIS DRAWING IS A CONTROLLED DOCUMENT.		DWN	Tyco Electronics Corporation	
DIMENSIONS: 単位: 耗 mm		CHK	Kawasaki, Japan	
TOLERANCES UNLESS OTHERWISE SPECIFIED: 一般公差		APVD	NAME 名称	
0 PLC ± 0.3		PRODUCT SPEC 製品規格	SOFT TRAY ASSY	
1 PLC ± 0.3		APPLICATION SPEC 取付適用規格	FH 0.6BTB CONNECTOR	
2 PLC ± 0.3		WEIGHT	SIZE	CAGE CODE
3 PLC ± 0.3		CUSTOMER DRAWING	A3	00779
4 PLC ± 0.3			DRAWING NO	G-5316135
PLC ANGLES ± 3'		RESTRICTED TO	SCALE 尺度	SHEET
FINISH 仕上			4:1	2 OF 2
MATERIAL 材料				REV A