



Chipsmall Limited consists of a professional team with an average of over 10 year of expertise in the distribution of electronic components. Based in Hongkong, we have already established firm and mutual-benefit business relationships with customers from,Europe,America and south Asia,supplying obsolete and hard-to-find components to meet their specific needs.

With the principle of “Quality Parts,Customers Priority,Honest Operation,and Considerate Service”,our business mainly focus on the distribution of electronic components. Line cards we deal with include Microchip,ALPS,ROHM,Xilinx,Pulse,ON,Everlight and Freescale. Main products comprise IC,Modules,Potentiometer,IC Socket,Relay,Connector.Our parts cover such applications as commercial,industrial, and automotives areas.

We are looking forward to setting up business relationship with you and hope to provide you with the best service and solution. Let us make a better world for our industry!



Contact us

Tel: +86-755-8981 8866 Fax: +86-755-8427 6832

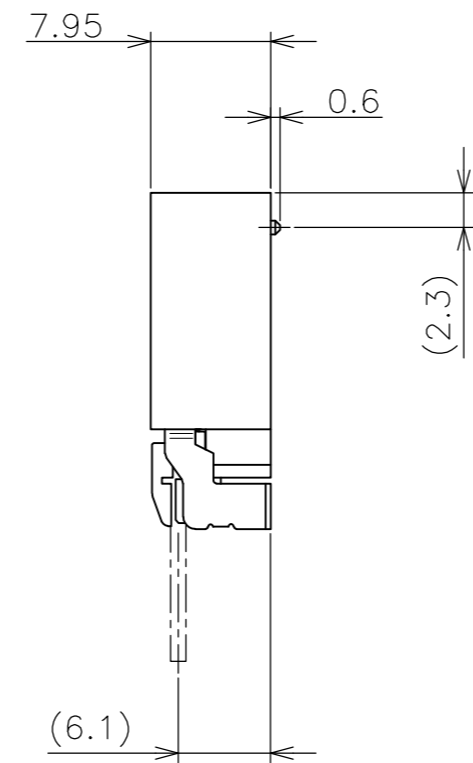
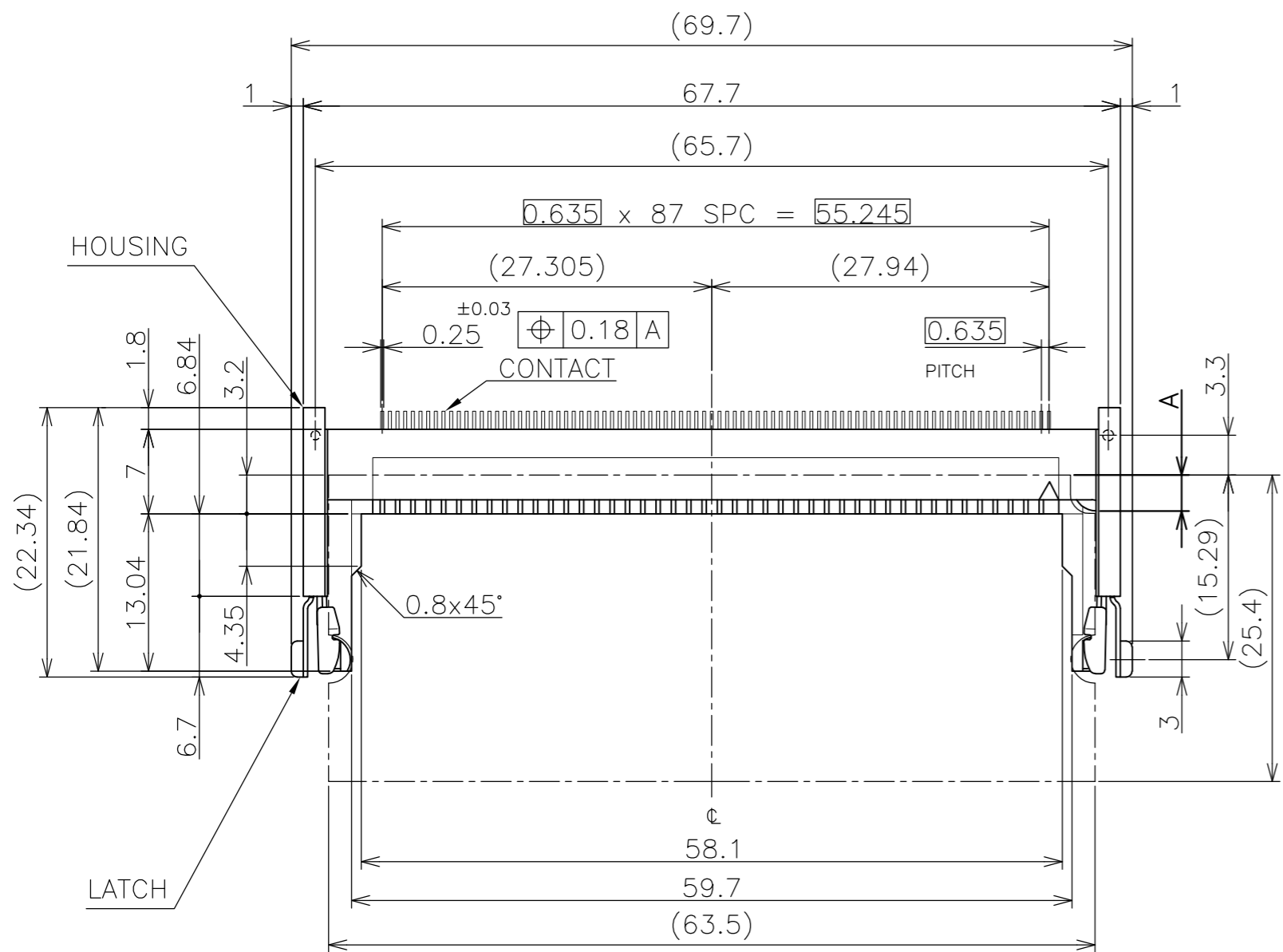
Email & Skype: info@chipsmall.com Web: www.chipsmall.com

Address: A1208, Overseas Decoration Building, #122 Zhenhua RD., Futian, Shenzhen, China

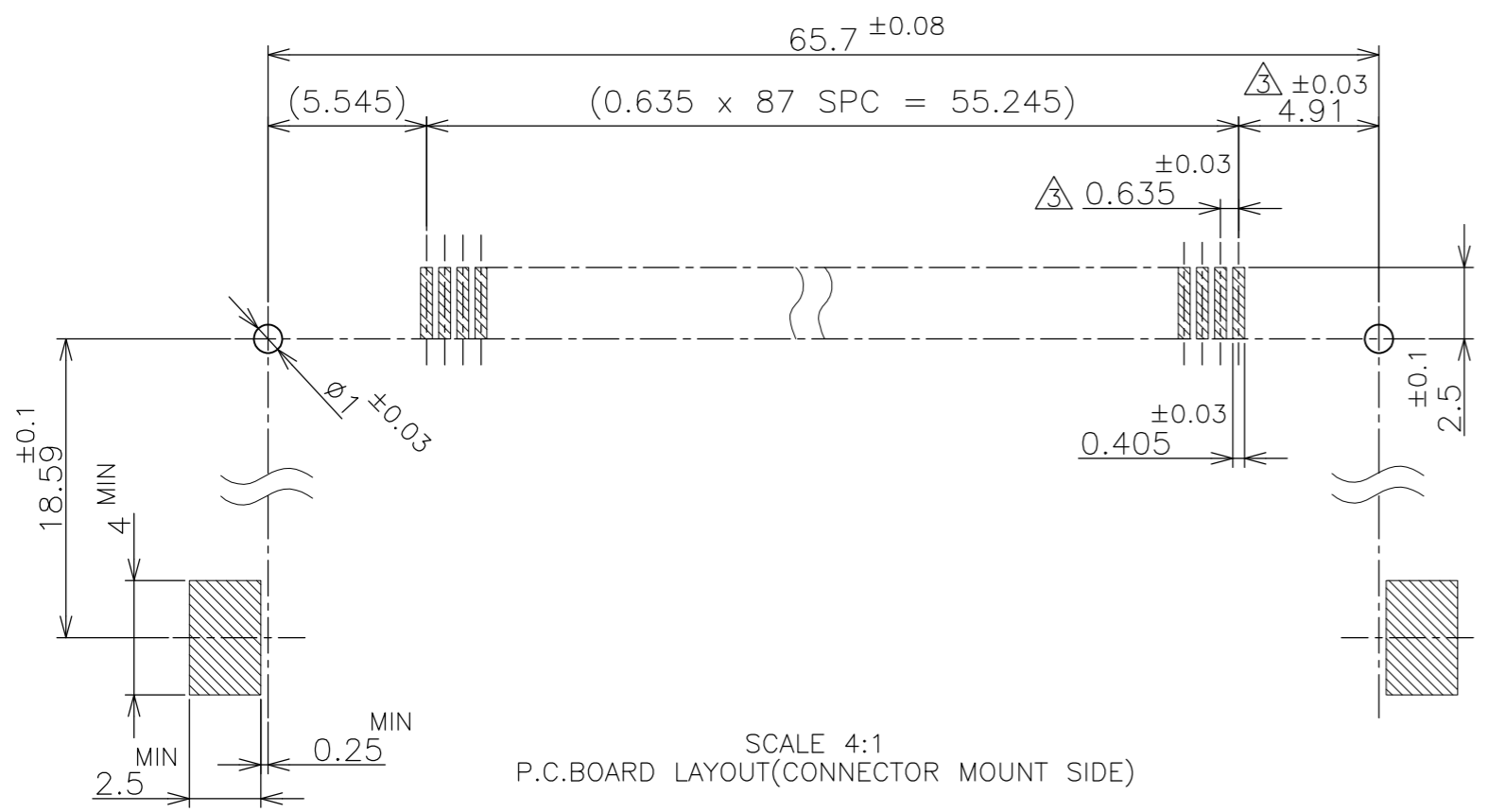
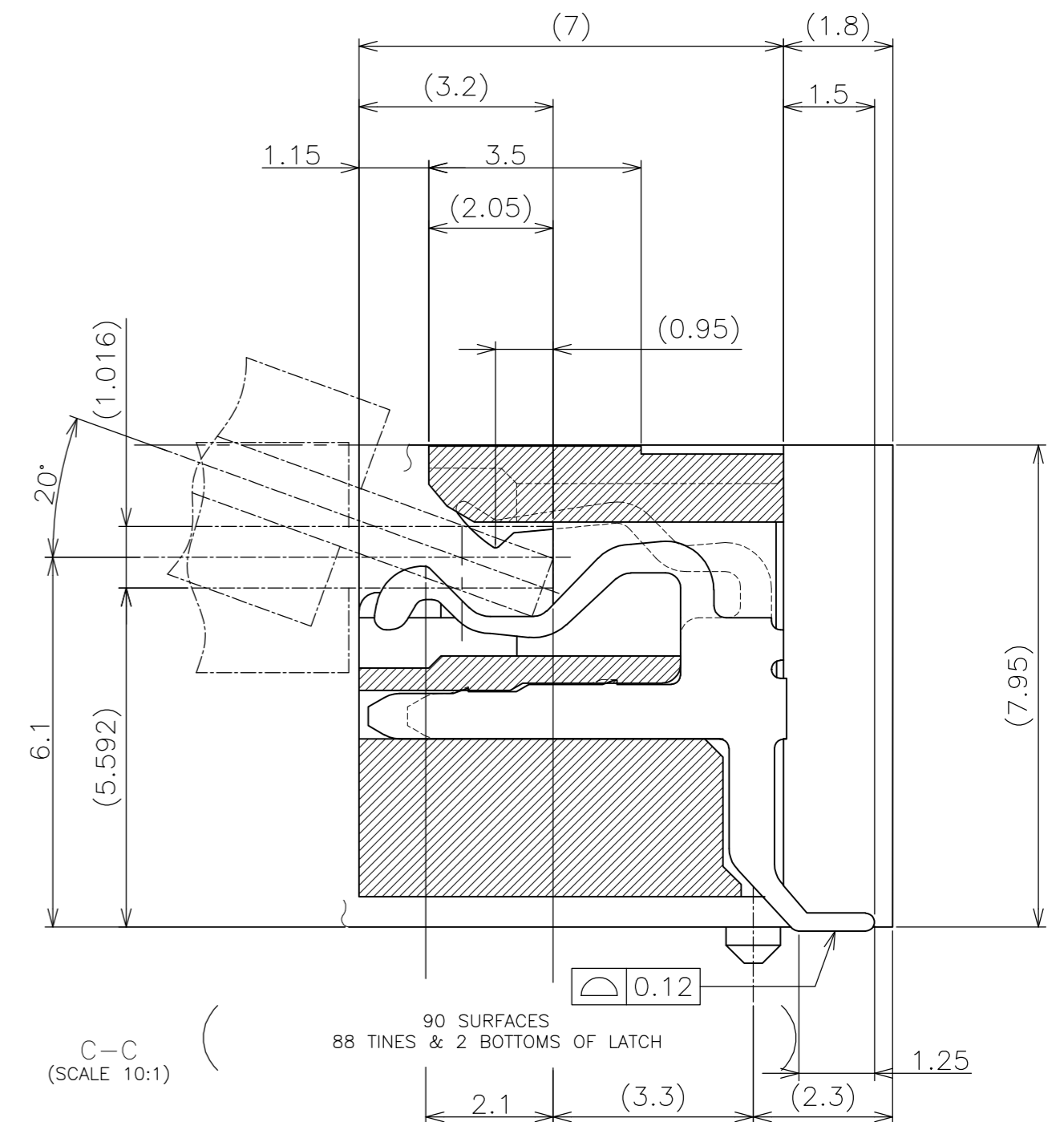
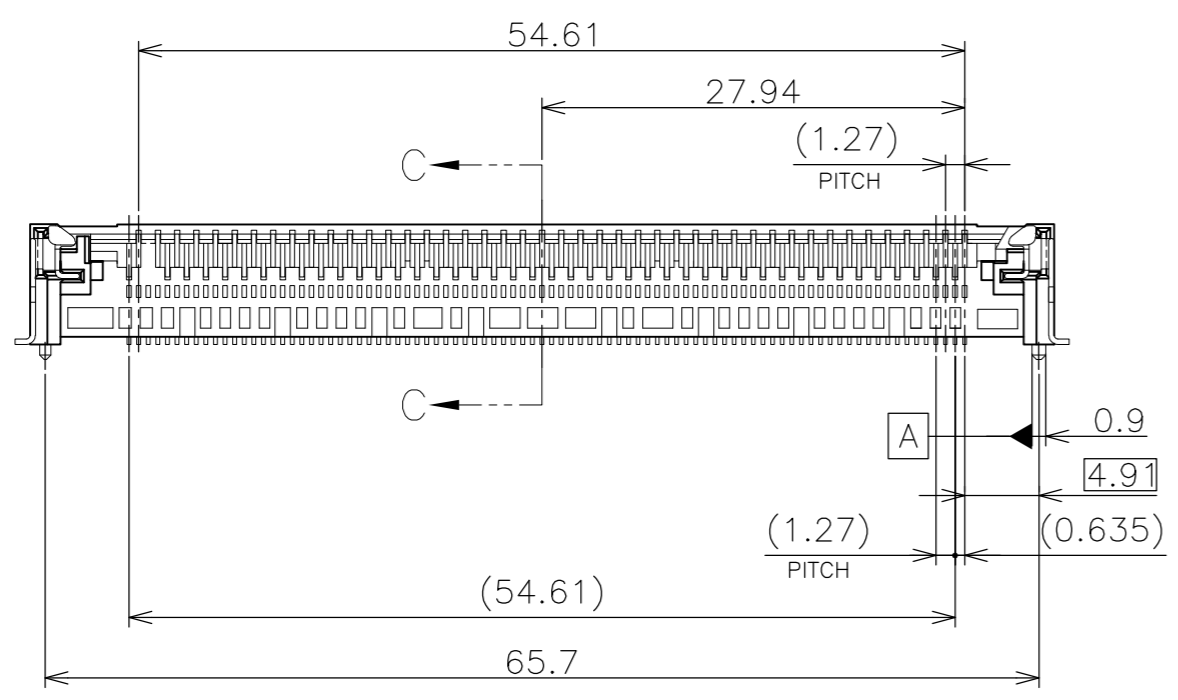


THIS DRAWING IS UNPUBLISHED. RELEASED FOR PUBLICATION MAY, 2001.
 © COPYRIGHT 2001 BY TYCO ELECTRONICS CORPORATION. ALL RIGHTS RESERVED.

LOC		DIST		REVISIONS			
P	LTR	DESCRIPTION		DATE	DWN	APVD	
	A1	REVISED	ECR-08-029319	19NOV08	T.F	K.I	
	A2	REVISED	PER ECO-09-024927	09NOV09	KK	AEG	



- MATERIAL & FINISH
 HOUSING : GLASS FILLED LCP
 CONTACT : COPPER ALLOY
 FINISH-SEE NOTES 2
 LATCH : STAINLESS STEEL. TIN PL.
 - CONTACT PLATING
 Au (0.0003) PL. AT CONTACT, TIN PL. AT
 TINE OVER Ni PL.
- ⚠ TOLERANCE : NON CUMULATIVE.
 ⚠ OBSOLETE PARTS: OBSOLETE CIS STREAMLINING PER D.RENAUD/D.SINISI



GENERAL TOLERANCE
 10 ≥ : ±0.2
 30 ≥ > 10 : ±0.25
 100 ≥ > 30 : ±0.3
 ANGLES : ±3°

⚠ OBSOLETE	BLACK	6.15	-5316437-2
	NATURAL	2.98	5316437-1
	HOUSING COLOR	A	PART No.

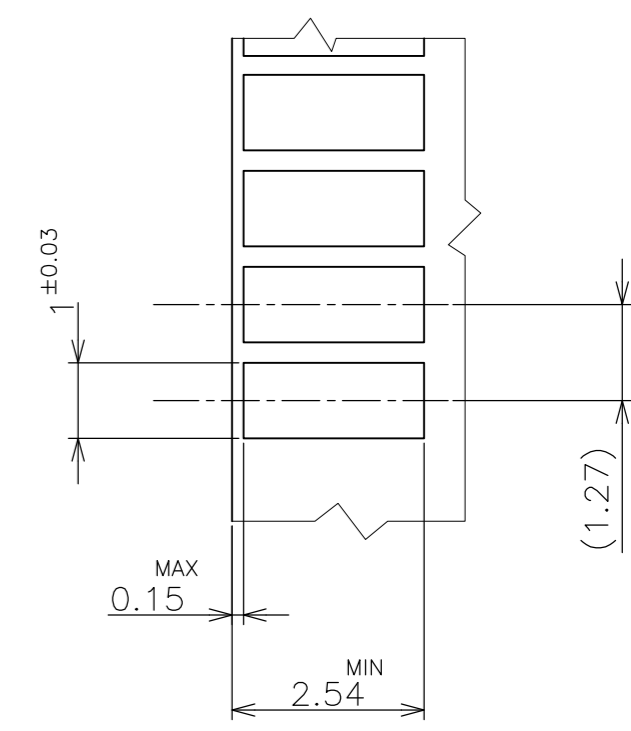
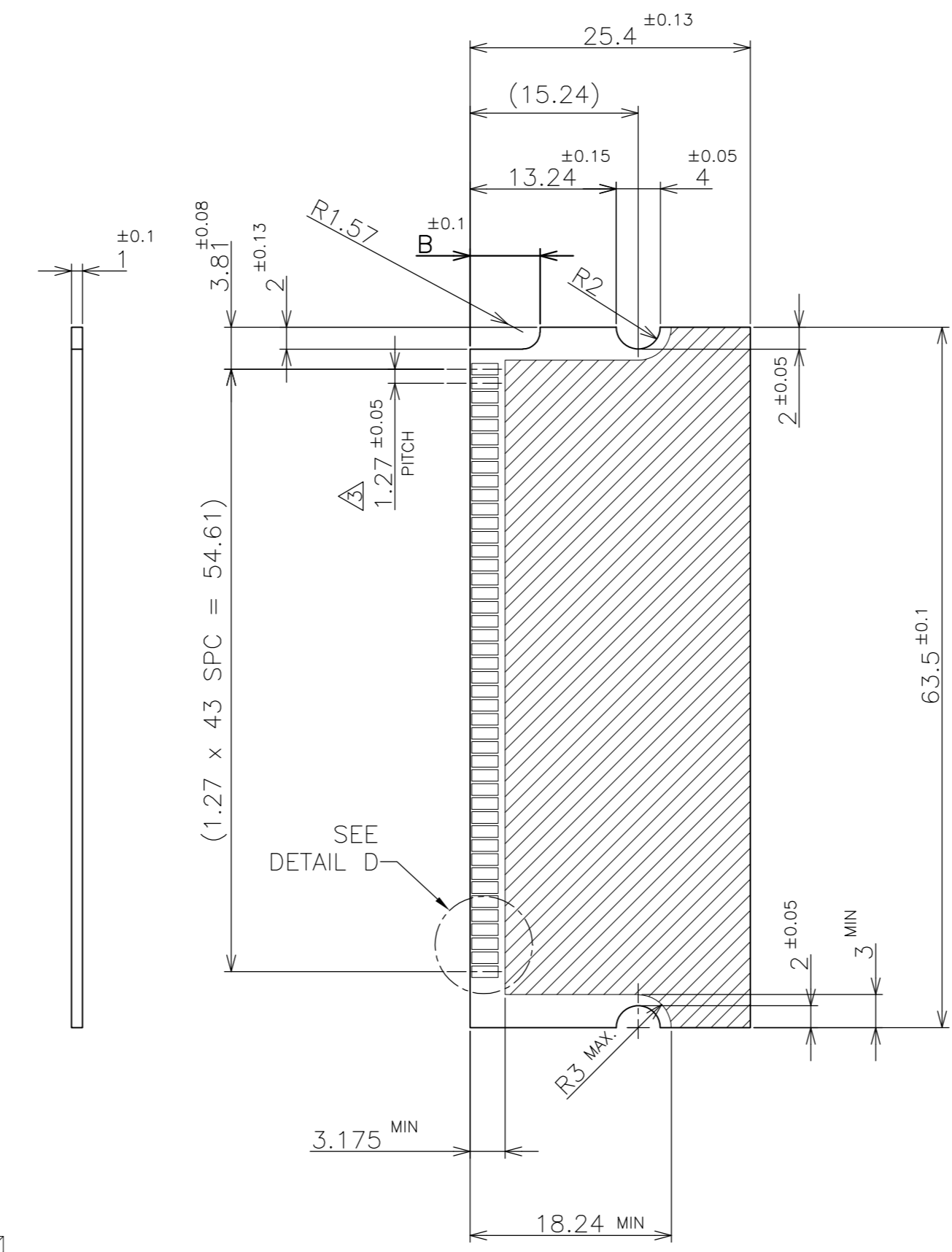
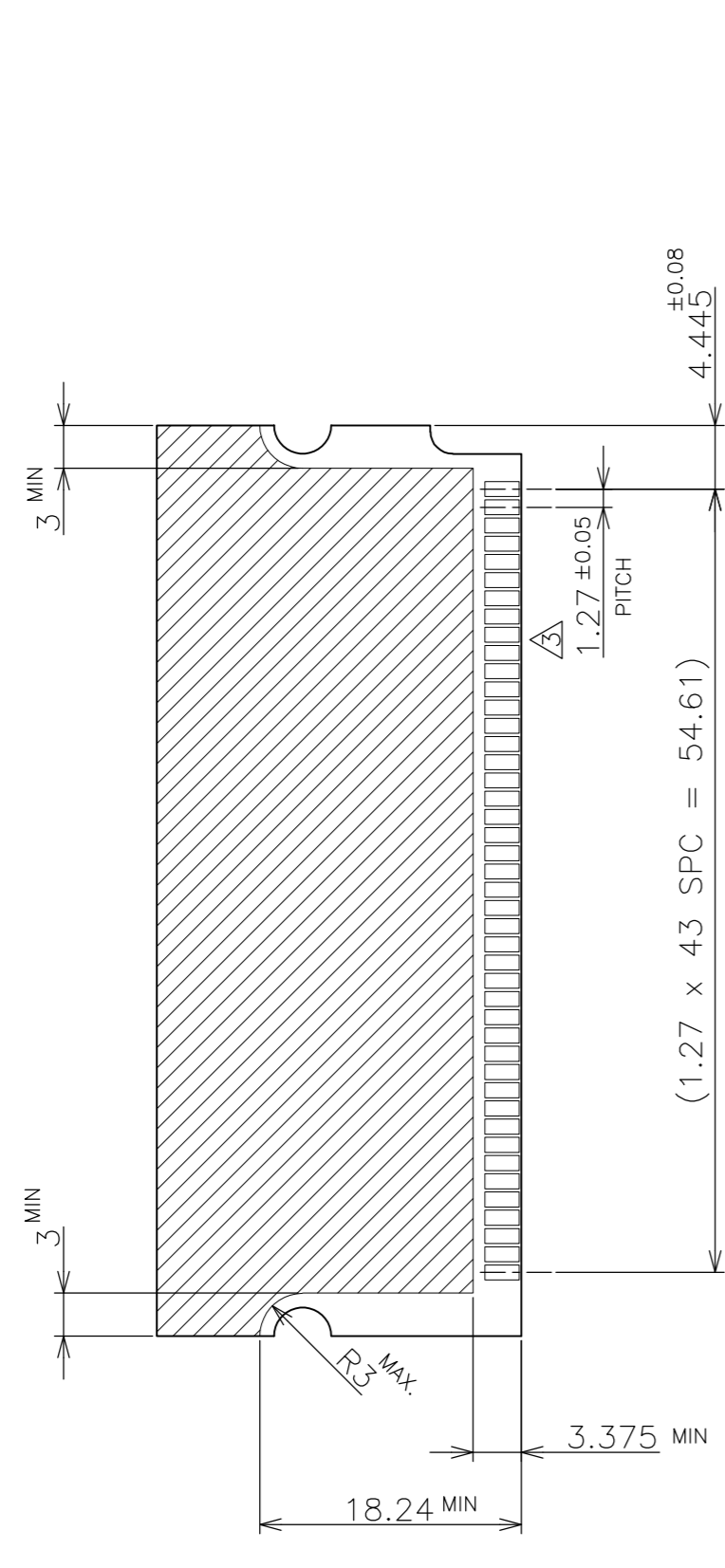
THIS DRAWING IS A CONTROLLED DOCUMENT.		DWN LEO ZHOU 20APR05	Tyco Electronics Corporation	
DIMENSIONS: mm		CHK STEVEN YAO 20APR05	Kawasaki, Japan	
TOLERANCES UNLESS OTHERWISE SPECIFIED		APVD IENOMOTO 20APR05	NAME	
0 PLC ±		PRODUCT SPEC	MIII SOCKET 88P HIGH PROFILE TYPE	
1 PLC ± -		APPLICATION SPEC	108-5403	
2 PLC ± -		WEIGHT	SIZE A2	CAGE CODE 00779
3 PLC ± -		FINISH	DRAWING NO C=5316437	RESTRICTED TO
4 PLC ± -		CUSTOMER DRAWING	SCALE 2:1	SHEET 1 OF 2
ANGLES ± -			REV A2	

SCALE 4:1
 P.C. BOARD LAYOUT (CONNECTOR MOUNT SIDE)

5316437

THIS DRAWING IS UNPUBLISHED. RELEASED FOR PUBLICATION MAY, 2001.
 © COPYRIGHT 2001 BY TYCO ELECTRONICS CORPORATION. ALL RIGHTS RESERVED.

REVISIONS				
P	LTR	DESCRIPTION	DATE	APVD
-	-	SEE SHEET 1	-	-



 COMPONENT AREA

(88 PIN SMALL OUTLINE DIMM)
 RECOMMENDED DIMENSIONS OF "88 PIN SMALL OUTLINE DIMM" P.C.BOARD

6.35	5.0V
3.18	3.3V
B	TYPE

THIS DRAWING IS A CONTROLLED DOCUMENT.		DWN	Tyco Electronics Corporation Kawasaki, Japan	
DIMENSIONS: mm		CHK	NAME	
TOLERANCES UNLESS OTHERWISE SPECIFIED:		APVD	MIII SOCKET 88P HIGH PROFILE TYPE	
0 PLC	±	PRODUCT SPEC	SIZE	CAGE CODE
1 PLC	±	APPLICATION SPEC	A2	00779
2 PLC	±	WEIGHT	DRAWING NO	RESTRICTED TO
3 PLC	±	CUSTOMER DRAWING	C=5316437	-
4 PLC	±	SCALE	2:1	SHEET
ANGLES	±	REV	2	OF
FINISH	±	A2	2	2

316437