



Chipsmall Limited consists of a professional team with an average of over 10 year of expertise in the distribution of electronic components. Based in Hongkong, we have already established firm and mutual-benefit business relationships with customers from,Europe,America and south Asia,supplying obsolete and hard-to-find components to meet their specific needs.

With the principle of “Quality Parts,Customers Priority,Honest Operation,and Considerate Service”,our business mainly focus on the distribution of electronic components. Line cards we deal with include Microchip,ALPS,ROHM,Xilinx,Pulse,ON,Everlight and Freescale. Main products comprise IC,Modules,Potentiometer,IC Socket,Relay,Connector.Our parts cover such applications as commercial,industrial, and automotives areas.

We are looking forward to setting up business relationship with you and hope to provide you with the best service and solution. Let us make a better world for our industry!



## Contact us

Tel: +86-755-8981 8866 Fax: +86-755-8427 6832

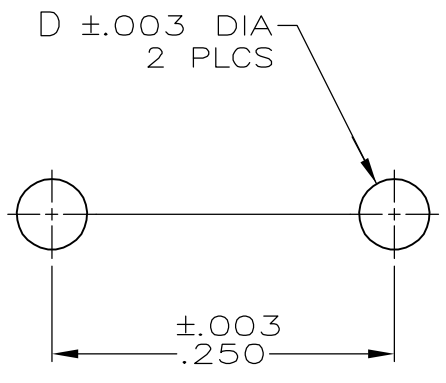
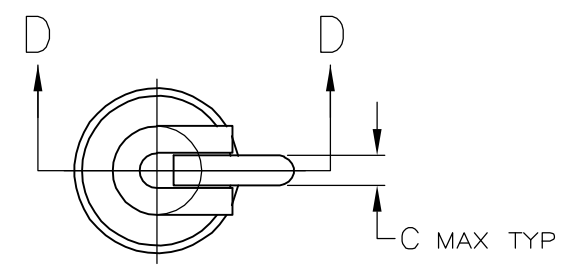
Email & Skype: info@chipsmall.com Web: www.chipsmall.com

Address: A1208, Overseas Decoration Building, #122 Zhenhua RD., Futian, Shenzhen, China



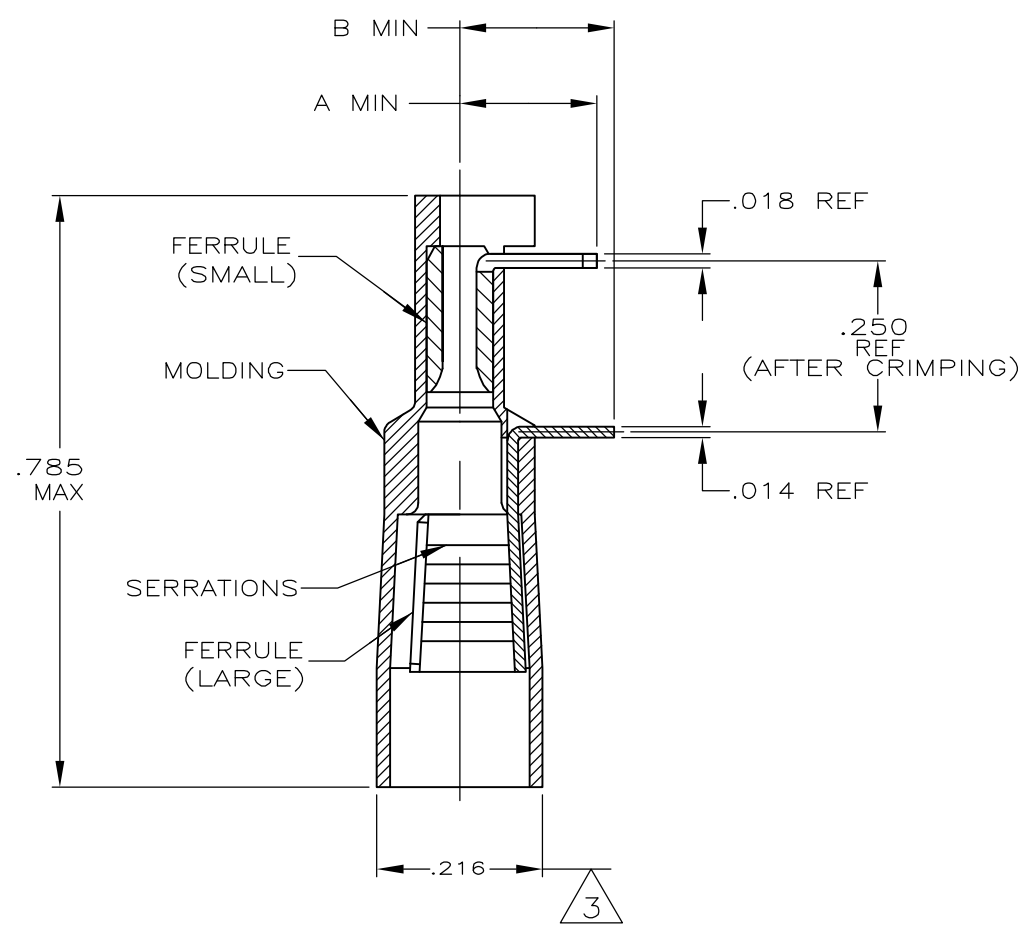
THIS DRAWING IS UNPUBLISHED. RELEASED FOR PUBLICATION  
 © COPYRIGHT - BY TYCO ELECTRONICS CORPORATION. ALL RIGHTS RESERVED.

LOC	DIST	REVISIONS					
AJ	16	P	LTR	DESCRIPTION	DATE	DWN	APVD
			AC	REVISED PER EC 0S14-0456-04	13DEC05	BL	JL



1. LARGE FERRULE: FOR .110 MAX DIA BRAID
2. SMALL FERRULE: FOR #26 TO #28 AWG WIRE
3. THE AVERAGE OF THE OUT OF ROUNDNESS DIMENSIONS MUST FALL WITHIN THE SPECIFIED TOLERANCE
4. MATERIAL;  
 MOLDING: NYLON PER MIL-M-20693  
 LARGE FERRULE: BRASS PER ASTM-B-36  
 SMALL FERRULE: COPPER PER QQ-C-576
5. FINISH;  
 MOLDING: COLOR-NATURAL  
 LARGE FERRULE: MATTE TIN PL PER ASTM-B-545 .000040 MIN THK OVER NICKEL PL PER QQ-N-290  
 SMALL FERRULE: MATTE TIN PL PER ASTM-B-545

6. INSTRUCTION SHEET NO.: 408-2469



SECTION D-D

OBSOLETE	FOR 1/8" BOARD	.155 OZ	LOOSE PIECE	.040	.036	.260	.255	53230-5
	FOR 1/8" BOARD	.155 OZ	LOOSE PIECE	.046	.042	.260	.255	53230-3
OBSOLETE	FOR 1/16" BOARD	.148 OZ	LOOSE PIECE	.046	.042	.175	.160	53230-1

USE	WEIGHT	PACKAGED	D	C	B	A	ASSY NO				
THIS DRAWING IS A CONTROLLED DOCUMENT.		DWN	1/10/92					Tyco Electronics Corporation Harrisburg, PA 17105-3608			
DIMENSIONS: INCHES		CHK	1/23/92								
		TOLERANCES UNLESS OTHERWISE SPECIFIED:		APVD				TERMASHIELD ASSY, PRE-INSULATED, FUNNEL ENTRY			
0 PLC ± - 1 PLC ± - 2 PLC ± - 3 PLC ± .008 4 PLC ± - ANGLES ± 5°		PRODUCT SPEC		NAME							
MATERIAL		FINISH		APPLICATION SPEC							
4		5		SIZE		CAGE CODE		DRAWING NO		RESTRICTED TO	
				A3		00779		C-53230		-	
CUSTOMER DRAWING								SCALE		SHEET	
								1:1		1 OF 1	
										REV AC	