



Chipsmall Limited consists of a professional team with an average of over 10 year of expertise in the distribution of electronic components. Based in Hongkong, we have already established firm and mutual-benefit business relationships with customers from,Europe,America and south Asia,supplying obsolete and hard-to-find components to meet their specific needs.

With the principle of “Quality Parts,Customers Priority,Honest Operation,and Considerate Service”,our business mainly focus on the distribution of electronic components. Line cards we deal with include Microchip,ALPS,ROHM,Xilinx,Pulse,ON,Everlight and Freescale. Main products comprise IC,Modules,Potentiometer,IC Socket,Relay,Connector.Our parts cover such applications as commercial,industrial, and automotives areas.

We are looking forward to setting up business relationship with you and hope to provide you with the best service and solution. Let us make a better world for our industry!



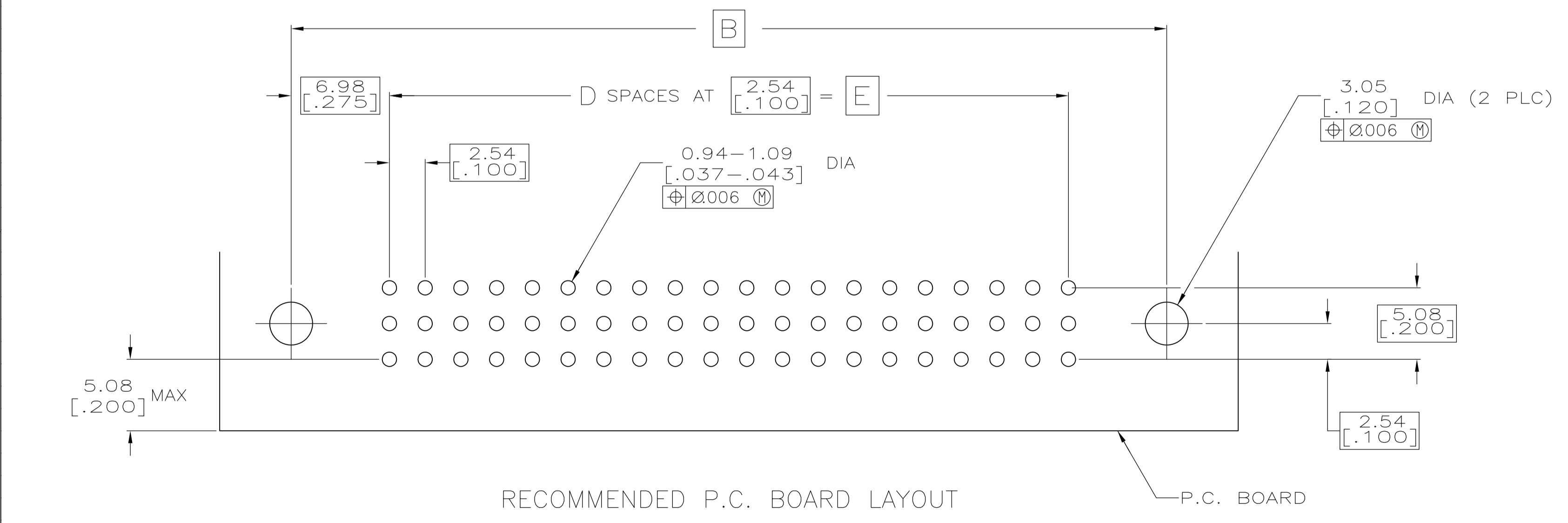
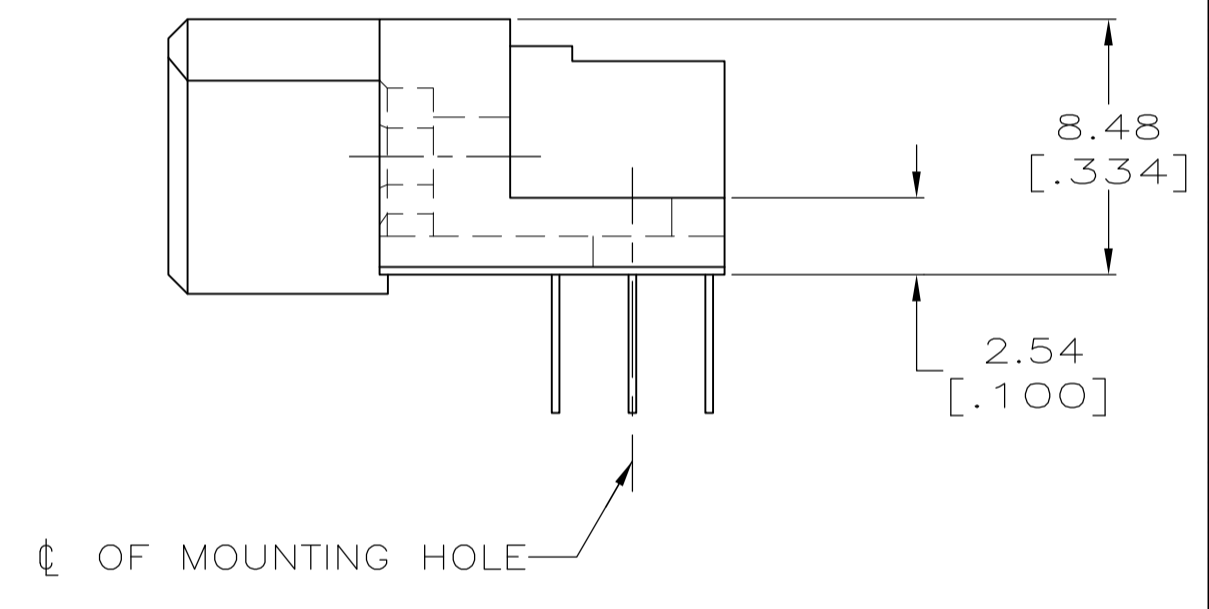
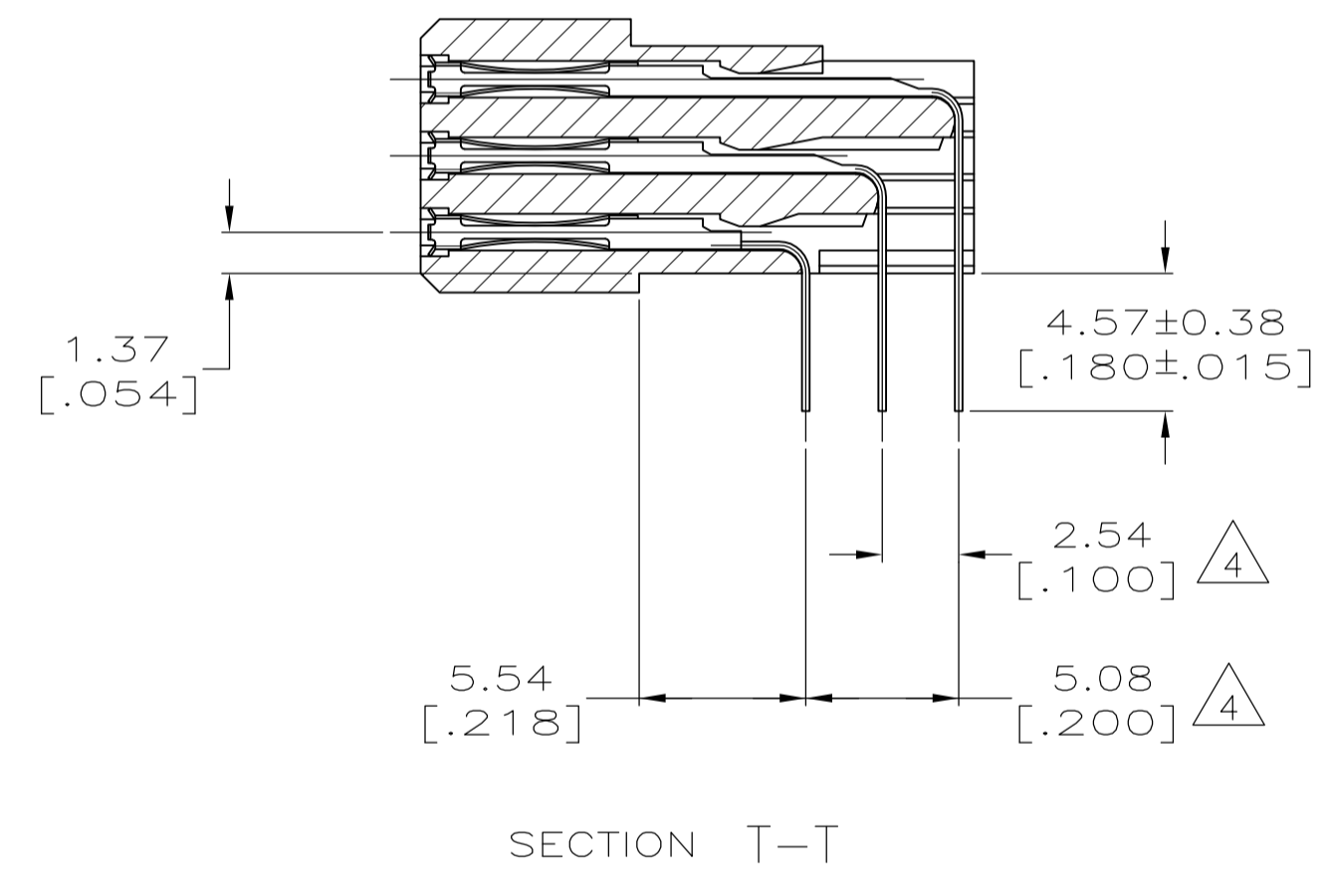
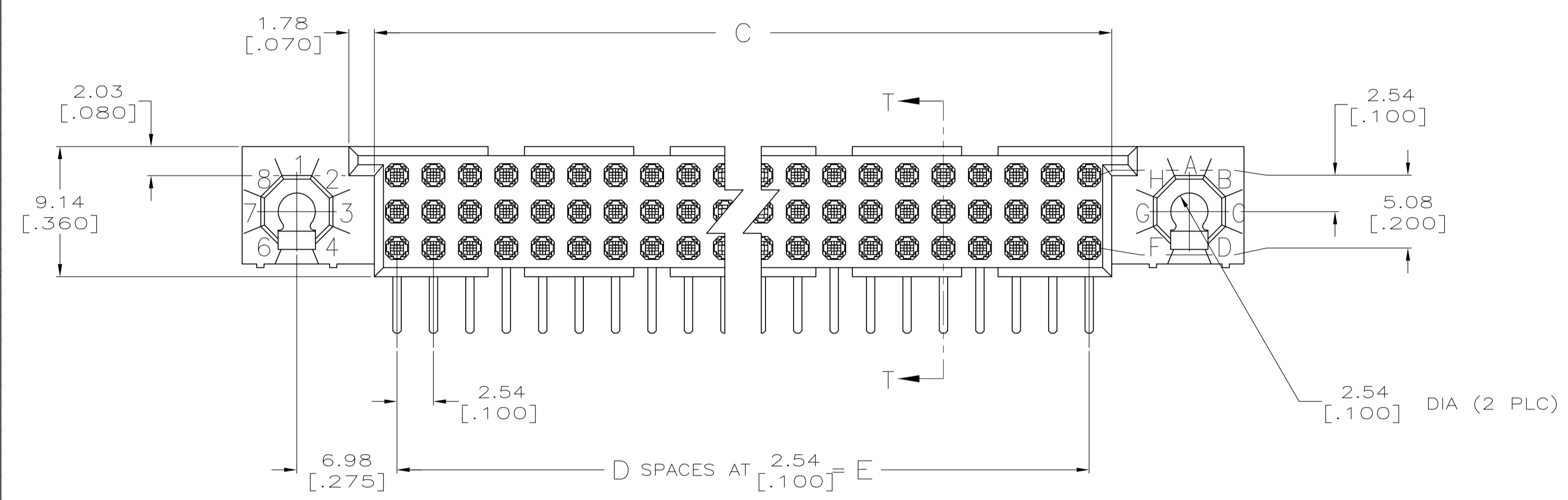
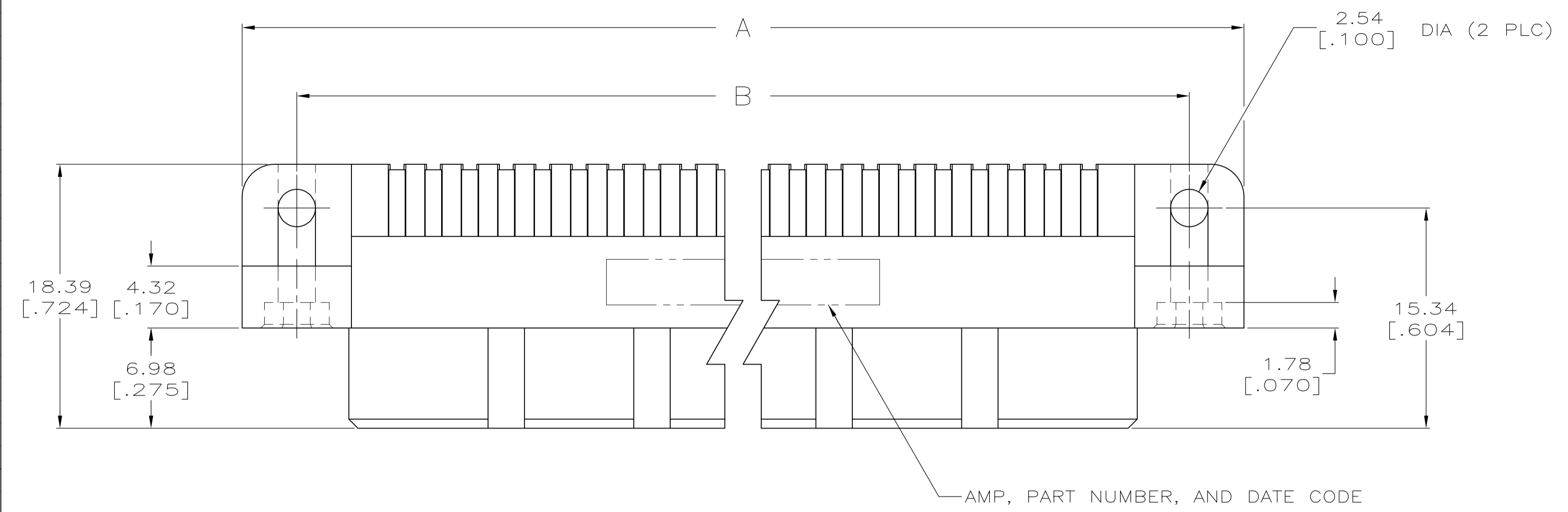
## Contact us

Tel: +86-755-8981 8866 Fax: +86-755-8427 6832

Email & Skype: info@chipsmall.com Web: www.chipsmall.com

Address: A1208, Overseas Decoration Building, #122 Zhenhua RD., Futian, Shenzhen, China





THIS DRAWING IS A CONTROLLED DOCUMENT.		DIN R.K. SEIFRIED 06/13/90	TE Connectivity	
DIMENSIONS: mm [INCHES]		CHK G.SKIPPER 01/24/92		
TOLERANCES UNLESS OTHERWISE SPECIFIED:		APVD	NAME	
0 PLC ± -			HDI, 3 ROW, RECEPTACLE ASSEMBLY, 4.57 [.180] LONG SOLDER TAILS, .00076 [.000030] GOLD PLATE	
1 PLC ± -			PRODUCT SPEC	
2 PLC ± -			APPLICATION SPEC	
3 PLC ± 0.13 [.005]			SIZE CAGE CODE DRAWING NO RESTRICTED TO	
4 PLC ± -			A1 00779 C=532431	
ANGLES ± -			WEIGHT	
MATERIAL		FINISH		CUSTOMER DRAWING
		SCALE 4:1		SHEET 1 OF 2 REV V2

- ① HOUSING MATERIAL: THERMOPLASTIC, COLOR-NATURAL.
- ② CONTACT MATERIAL: COPPER ALLOY.
- ③ CONTACT FINISH: .00127-.00254 [.000050-.000100] NICKEL UNDERPLATE ALL OVER; .00076 [.000030] GOLD PLATE IN CONTACT AREA, TIN-LEAD PLATED SOLDER TAILS.
- ④ SOLDER TAILS MUST FIT HOLE PATTERN AS SHOWN ON THE RECOMMENDED P.C. BOARD LAYOUT.
- 5. DIMENSIONS IN BRACKETS ARE IN INCHES.
- ⑥ HOUSINGS WITH CENTER MOUNTING IS RECOMMENDED FOR ASSEMBLIES HAVING 75 CONTACTS PER ROW OR MORE.
- ⑦ PART NUMBER IS OBSOLETE.
- ⑧ OBSOLETE PARTS: OBSOLETE CIS STREAMLINING PER D.RENAUD/D.SINISI

	27.94 [1.100]	11	31.09 [1.224]	41.91 [1.650]	49.53 [1.950]	36	2-532431-4
⑦	48.26 [1.900]	19	51.41 [2.024]	62.23 [2.450]	69.85 [2.750]	60	2-532431-3
	43.18 [1.700]	17	46.33 [1.824]	57.15 [2.250]	64.77 [2.550]	54	2-532431-2
	144.78 [5.700]	57	147.93 [5.824]	158.75 [6.250]	166.37 [6.550]	174	2-532431-1
⑦	81.28 [3.200]	<del>32</del>	84.43 [3.324]	95.25 [3.750]	102.87 [4.050]	<del>99</del>	2-532431-0
⑥	210.82 [8.300]	83	213.97 [8.424]	224.79 [8.850]	232.41 [9.150]	252	1-532431-9
⑦⑥	243.84 [9.600]	96	246.99 [9.724]	257.81 [10.150]	265.43 [10.450]	291	1-532431-8
⑥⑦	251.46 [9.900]	<del>99</del>	254.61 [10.024]	265.43 [10.450]	273.05 [10.750]	<del>300</del>	1-532431-7
⑥⑦	238.76 [9.400]	<del>94</del>	241.91 [9.524]	252.73 [9.950]	260.35 [10.250]	<del>285</del>	1-532431-6
⑥⑦	226.06 [8.900]	<del>89</del>	229.21 [9.024]	240.03 [9.450]	247.65 [9.750]	<del>270</del>	1-532431-5
⑥⑦	213.36 [8.400]	<del>84</del>	216.51 [8.524]	227.33 [8.950]	234.95 [9.250]	<del>255</del>	1-532431-4
⑥	200.66 [7.900]	79	203.81 [8.024]	214.63 [8.450]	222.25 [8.750]	240	1-532431-3
⑧ OBSOLETE	187.96 [7.400]	74	191.11 [7.524]	201.93 [7.950]	209.55 [8.250]	225	1-532431-2
	175.26 [6.900]	69	178.41 [7.024]	189.23 [7.450]	196.85 [7.750]	210	1-532431-1
⑦	162.56 [6.400]	<del>64</del>	165.71 [6.524]	176.53 [6.950]	184.15 [7.250]	<del>195</del>	1-532431-0
	149.86 [5.900]	59	153.01 [6.024]	163.83 [6.450]	171.45 [6.750]	180	532431-9
	137.16 [5.400]	54	140.31 [5.524]	151.13 [5.950]	158.75 [6.250]	165	532431-8
	124.46 [4.900]	49	127.61 [5.024]	138.43 [5.450]	146.05 [5.750]	150	532431-7
⑦	111.76 [4.400]	<del>44</del>	114.91 [4.524]	125.73 [4.950]	133.35 [5.250]	<del>135</del>	532431-6
	99.06 [3.900]	39	102.21 [4.024]	113.03 [4.450]	120.65 [4.750]	120	532431-5
⑦	86.36 [3.400]	<del>34</del>	89.51 [3.524]	100.33 [3.950]	107.95 [4.250]	<del>105</del>	532431-4
	78.74 [3.100]	31	81.89 [3.224]	92.71 [3.650]	100.33 [3.950]	96	532431-3
⑦	73.66 [2.900]	<del>29</del>	76.81 [3.024]	87.63 [3.450]	95.25 [3.750]	<del>90</del>	532431-2
	60.96 [2.400]	24	64.11 [2.524]	74.93 [2.950]	82.55 [3.250]	75	532431-1
	E	D	C	B	A	POSN	PART NUMBER

THIS DRAWING IS A CONTROLLED DOCUMENT.		DIN R.K. SEIFRIED 06/13/90		TE Connectivity	
DIMENSIONS: mm [INCHES]		TOLERANCES UNLESS OTHERWISE SPECIFIED:			
0 PLC ± - 1 PLC ± - 2 PLC ± - 3 PLC ± 0.13 [.005] 4 PLC ± - ANGLES ± -		CHK G.SKIPPER 01/24/92 APVD -		NAME PRODUCT SPEC APPLICATION SPEC SIZE CAGE CODE DRAWING NO RESTRICTED TO	
MATERIAL ①②		FINISH ③		WEIGHT - A1 00779 532431 CUSTOMER DRAWING SCALE 4:1 SHEET 2 OF 2 REV V2	