



Chipsmall Limited consists of a professional team with an average of over 10 year of expertise in the distribution of electronic components. Based in Hongkong, we have already established firm and mutual-benefit business relationships with customers from,Europe,America and south Asia,supplying obsolete and hard-to-find components to meet their specific needs.

With the principle of “Quality Parts,Customers Priority,Honest Operation,and Considerate Service”,our business mainly focus on the distribution of electronic components. Line cards we deal with include Microchip,ALPS,ROHM,Xilinx,Pulse,ON,Everlight and Freescale. Main products comprise IC,Modules,Potentiometer,IC Socket,Relay,Connector.Our parts cover such applications as commercial,industrial, and automotives areas.

We are looking forward to setting up business relationship with you and hope to provide you with the best service and solution. Let us make a better world for our industry!



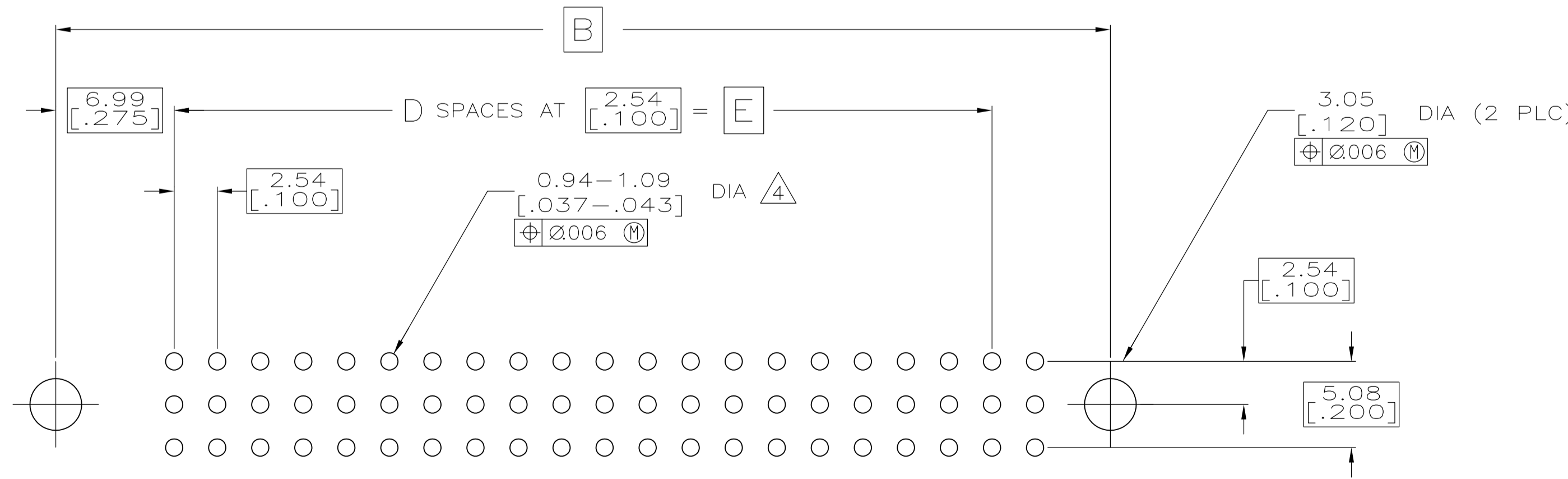
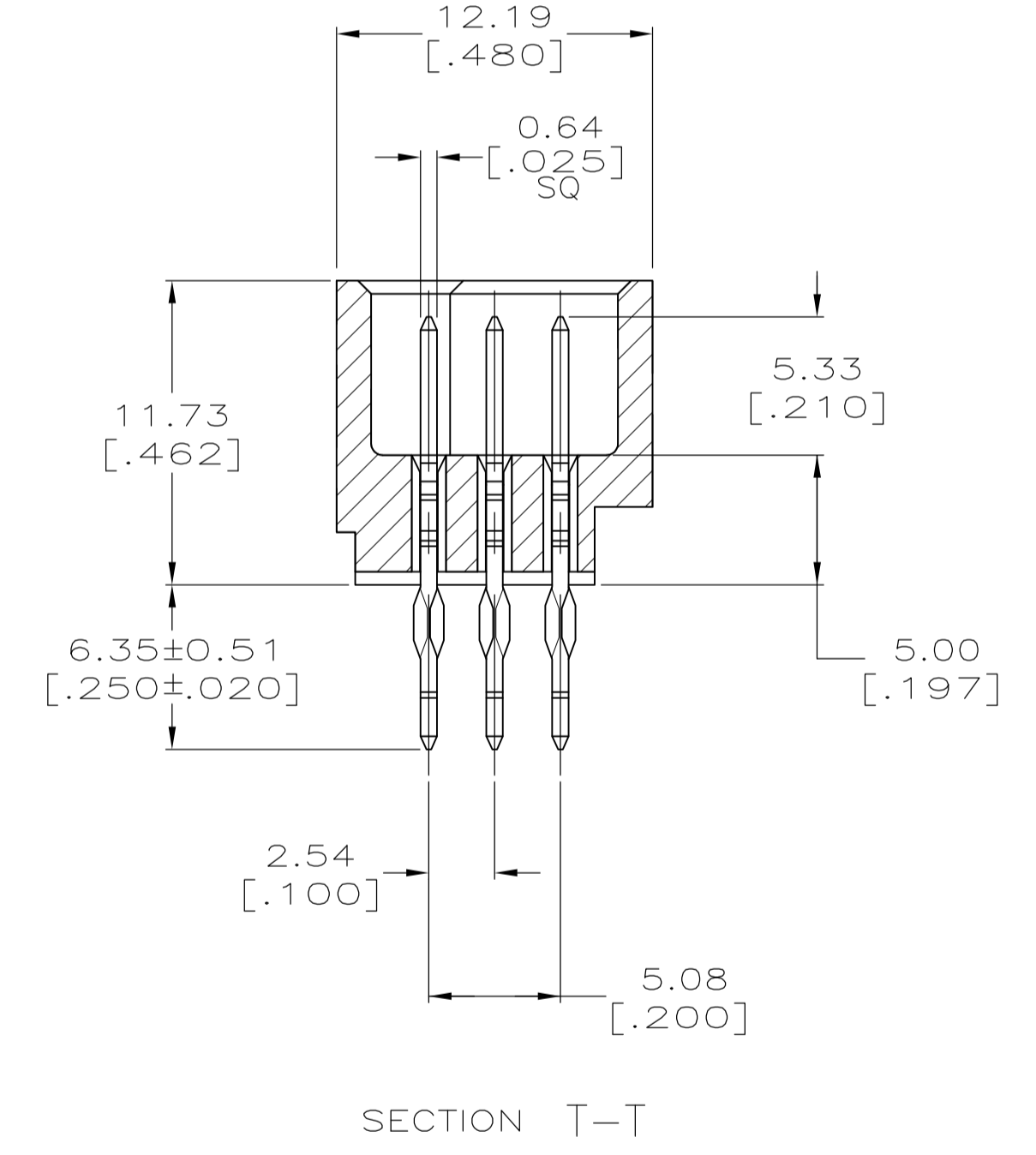
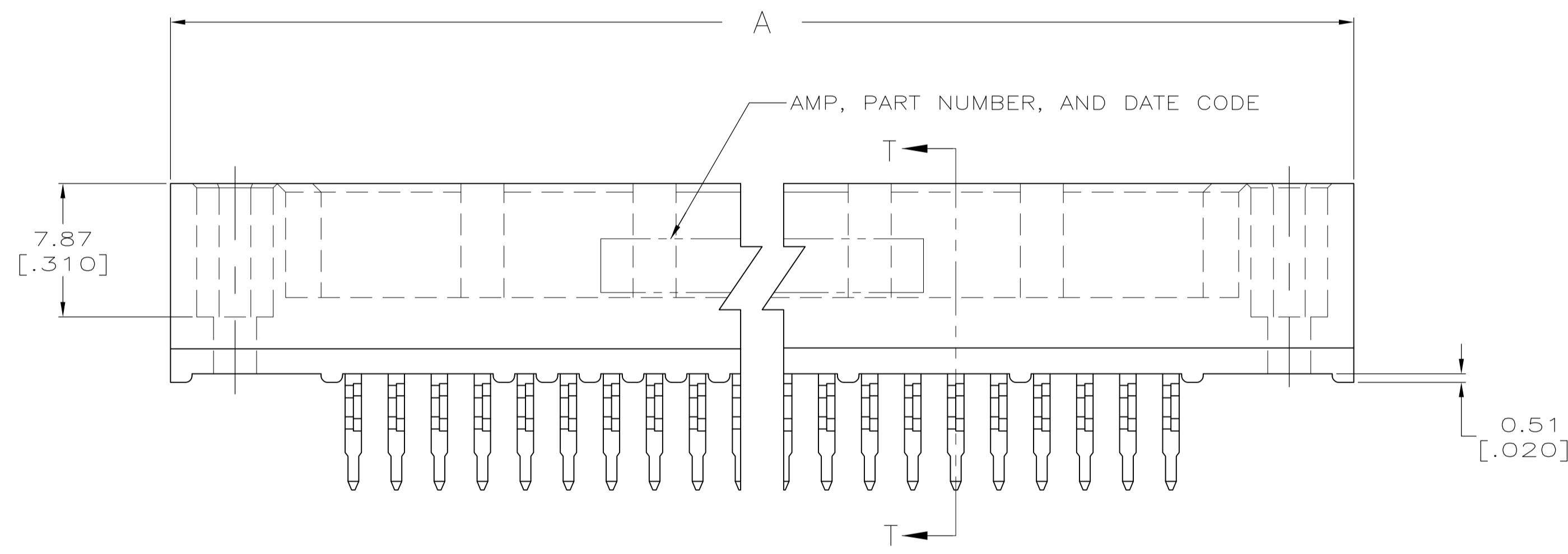
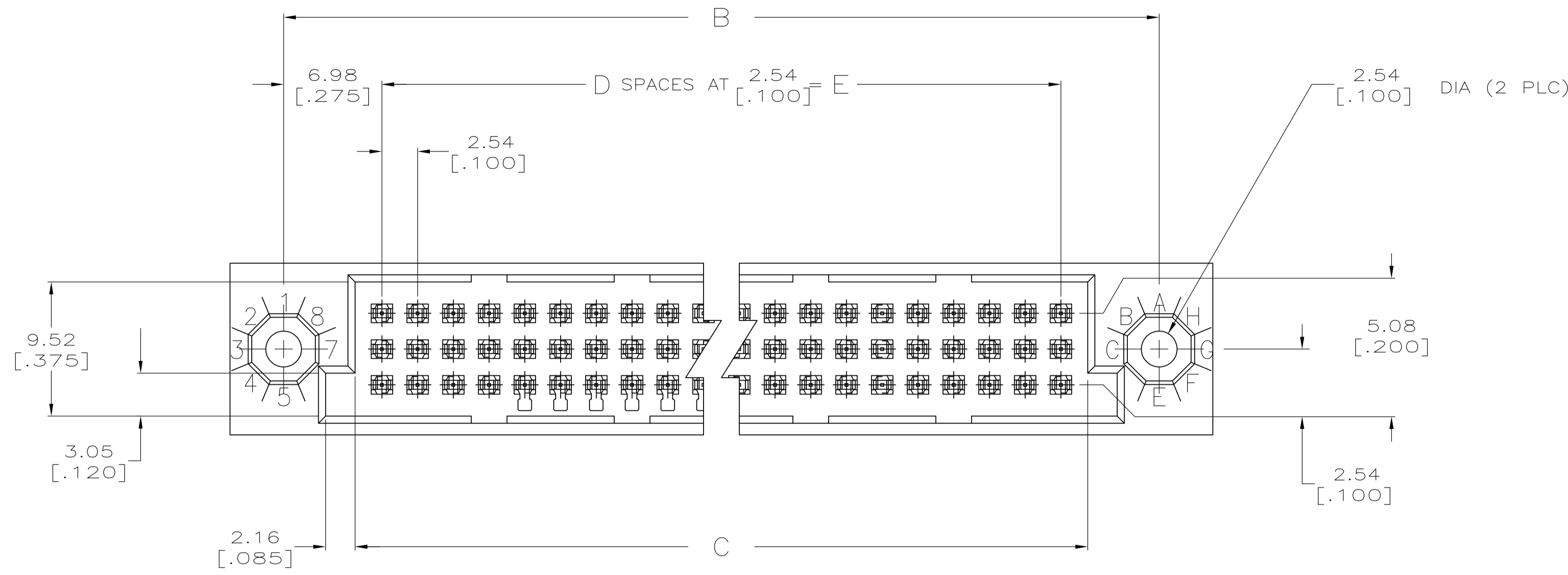
## Contact us

Tel: +86-755-8981 8866 Fax: +86-755-8427 6832

Email & Skype: info@chipsmall.com Web: www.chipsmall.com

Address: A1208, Overseas Decoration Building, #122 Zhenhua RD., Futian, Shenzhen, China






RECOMMENDED P.C. BOARD LAYOUT

THIS DRAWING IS A CONTROLLED DOCUMENT.		DIN R.K. SEIFRIED 03/22/90	TE Connectivity
		CHK R.K. SEIFRIED 03/22/90	
DIMENSIONS:	TOLERANCES UNLESS OTHERWISE SPECIFIED:	APVD	NAME
mm [INCHES]	0 PLC ± -		HDI, 3 ROW, PIN ASSEMBLY,
	1 PLC ± -		6.35 [.250] LONG ACTION PINS,
	2 PLC ± -		.00076 [.000030] GOLD PLATE
	3 PLC ± 0.13 [.005]		APPLICATION SPEC
	4 PLC ± -		SIZE
	ANGLES ± -		CAGE CODE
MATERIAL	FINISH	WEIGHT	DRAWING NO
			A1 00779
			532447
		CUSTOMER DRAWING	SCALE
			4:1
			SHEET
			1 OF 2
			REV
			M3

- ① HOUSING MATERIAL: THERMOPLASTIC, COLOR-BLACK.
- ② CONTACT MATERIAL: PHOSPHOR BRONZE.
- ③ CONTACT FINISH: .00127-.00254 [.000050-.000100] NICKEL UNDERPLATE ALL OVER; .00076 [.000030] GOLD PLATE IN CONTACT AREA, TIN-LEAD PLATED POSTS.
- ④ ACTION PIN POSTS REQUIRE 2.36 [.093] MIN THICK P.C. BOARD. RECOMMENDED P.C. BOARD HOLES ARE 1.151 [.0453] DIA PLATED THRU WITH 0.025-0.076 [.001-.003] COPPER, WITH 0.0076 [.0003] MIN TIN-LEAD PLATING; FINISHED HOLE AFTER PLATING 0.94-1.09 [.037-.043] DIA; AFTER RELOW 0.91-1.09 [.036-.043].
- 5. DIMENSIONS IN BRACKETS ARE IN INCHES.
- ⑥ HOUSINGS WITH CENTER MOUNTING IS RECOMMENDED FOR ASSEMBLIES HAVING 75 CONTACTS PER ROW OR MORE.
- ⑦ PART NUMBER IS OBSOLETE.

①	81.28 [3.200]	-32	85.09 [3.350]	95.25 [3.750]	102.87 [4.050]	-99	2-532447-0
①	X X	X	X	X	X	X	1-532447-9
①	X X	X	X	X	X	X	1-532447-8
⑥⑦	251.46 [9.900]	-99	255.27 [10.050]	265.43 [10.450]	273.05 [10.750]	-300	1-532447-7
⑥⑦	238.76 [9.400]	-94	242.57 [9.550]	252.73 [9.950]	260.35 [10.250]	-285	1-532447-6
⑥⑦	226.06 [8.900]	-89	229.87 [9.050]	240.03 [9.450]	247.65 [9.750]	-270	1-532447-5
⑥⑦	213.36 [8.400]	-84	217.17 [8.550]	227.33 [8.950]	234.95 [9.250]	-255	1-532447-4
⑥⑦	200.66 [7.900]	-79	204.47 [8.050]	214.63 [8.450]	222.25 [8.750]	-240	1-532447-3
	187.96 [7.400]	74	191.77 [7.550]	201.93 [7.950]	209.55 [8.250]	225	1-532447-2
	175.26 [6.900]	69	179.07 [7.050]	189.23 [7.450]	196.85 [7.750]	210	1-532447-1
	162.56 [6.400]	64	166.37 [6.550]	176.53 [6.950]	184.15 [7.250]	195	1-532447-0
	149.86 [5.900]	59	153.67 [6.050]	163.83 [6.450]	171.45 [6.750]	180	532447-9
	137.16 [5.400]	54	140.97 [5.550]	151.13 [5.950]	158.75 [6.250]	165	532447-8
	124.46 [4.900]	49	128.27 [5.050]	138.43 [5.450]	146.05 [5.750]	150	532447-7
①	111.76 [4.400]	-44	115.57 [4.550]	125.73 [4.950]	133.35 [5.250]	+35	532447-6
	99.06 [3.900]	39	102.87 [4.050]	113.03 [4.450]	120.65 [4.750]	120	532447-5
	86.36 [3.400]	34	90.17 [3.550]	100.33 [3.950]	107.95 [4.250]	105	532447-4
	78.74 [3.100]	31	82.55 [3.250]	92.71 [3.650]	100.33 [3.950]	96	532447-3
①	73.66 [2.900]	-29	77.47 [3.050]	87.63 [3.450]	95.25 [3.750]	-90	532447-2
	60.96 [2.400]	24	64.77 [2.550]	74.93 [2.950]	82.55 [3.250]	75	532447-1
	E	D	C	B	A	POSN	PART NUMBER

THIS DRAWING IS A CONTROLLED DOCUMENT.		DIN R.K. SEIFRIED 03/22/90		 TE Connectivity	
DIMENSIONS: mm [INCHES]		TOLERANCES UNLESS OTHERWISE SPECIFIED:			
0 PLC ± - 1 PLC ± - 2 PLC ± - 3 PLC ± 0.13 [.005] 4 PLC ± - ANGLES ± -		R.K. SEIFRIED 03/22/90 APVD -		NAME HDI, 3 ROW, PIN ASSEMBLY, 6.35 [.250] LONG ACTION PINS, .00076 [.000030] GOLD PLATE	
MATERIAL ①②		FINISH ③		SIZE A1 WEIGHT - CUSTOMER DRAWING	
				SCALE 4:1 SHEET 2 OF 2 REV M3	