



Chipsmall Limited consists of a professional team with an average of over 10 year of expertise in the distribution of electronic components. Based in Hongkong, we have already established firm and mutual-benefit business relationships with customers from,Europe,America and south Asia,supplying obsolete and hard-to-find components to meet their specific needs.

With the principle of “Quality Parts,Customers Priority,Honest Operation,and Considerate Service”,our business mainly focus on the distribution of electronic components. Line cards we deal with include Microchip,ALPS,ROHM,Xilinx,Pulse,ON,Everlight and Freescale. Main products comprise IC,Modules,Potentiometer,IC Socket,Relay,Connector.Our parts cover such applications as commercial,industrial, and automotives areas.

We are looking forward to setting up business relationship with you and hope to provide you with the best service and solution. Let us make a better world for our industry!



## Contact us

Tel: +86-755-8981 8866 Fax: +86-755-8427 6832

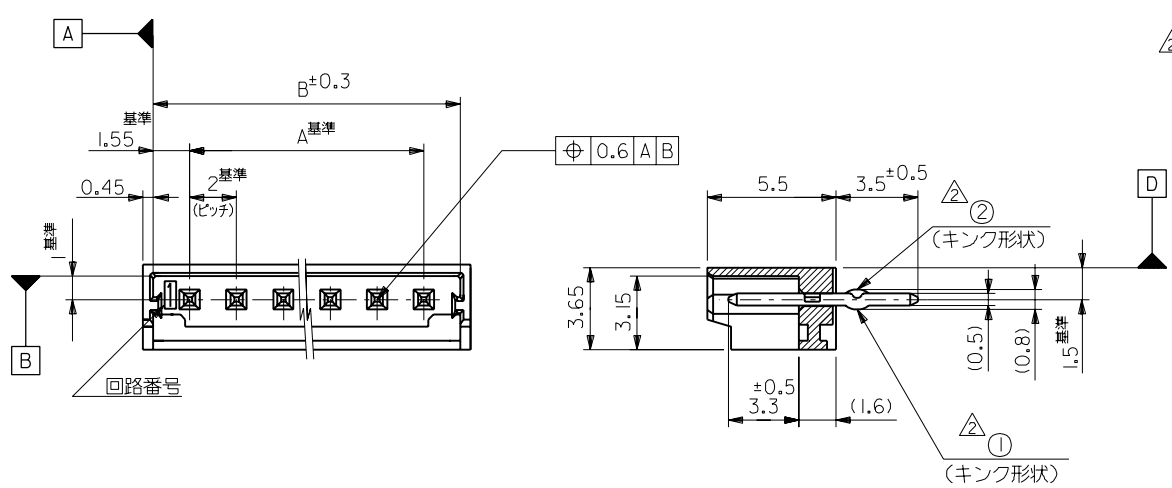
Email & Skype: info@chipsmall.com Web: www.chipsmall.com

Address: A1208, Overseas Decoration Building, #122 Zhenhua RD., Futian, Shenzhen, China



ENG. NO. SD-53253-\*\*\*10  
EDP NO.

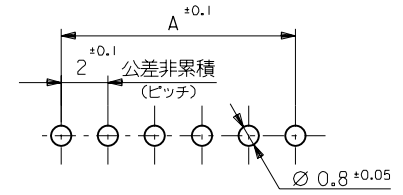
MM DIMENSIONS IN METRIC DO NOT SCALE DRAWING



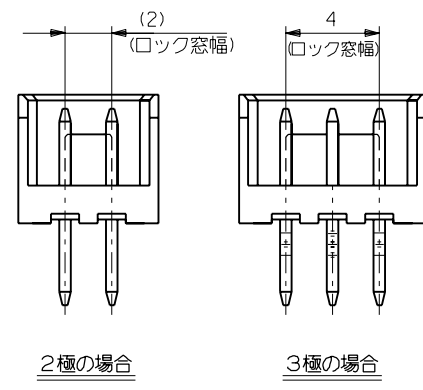
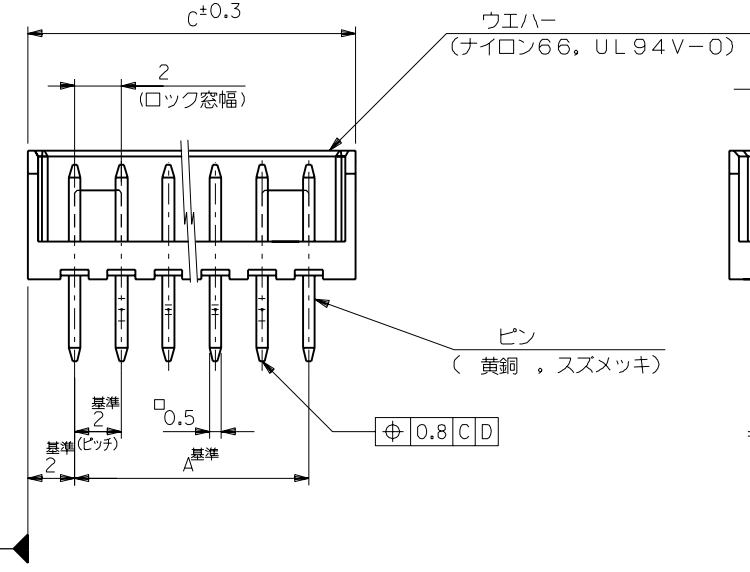
注 記

- 1 炭合相手：51065-\*\*\*00
- △ キンクは下記表の位置及び形状に付加のこと。 2極はキンク無し。

回路番号 極数	1	2	3	4	5	N-2	N-1	N
6 極以上	—	①	②	—	—	②	①	—
5 極	①	②	—	②	①	/	/	/
4 極	①	②	②	①	/	/	/	/
3 極	①	②	①	/	/	/	/	/



基板取付穴寸法 (参考)  
(t = 1.6)



32	31.1	28	53253-1510	15
30	29.1	26	-1410	14
28	27.1	24	-1310	13
26	25.1	22	-1210	12
24	23.1	20	-1110	11
22	21.1	18	-1010	10
20	19.1	16	-0910	9
18	17.1	14	-0810	8
16	15.1	12	-0710	7
14	13.1	10	-0610	6
12	11.1	8	-0510	5
10	9.1	6	-0410	4
8	7.1	4	-0310	3
6	5.1	2	53253-0210	2
C	B	A	ENG NO.	極数

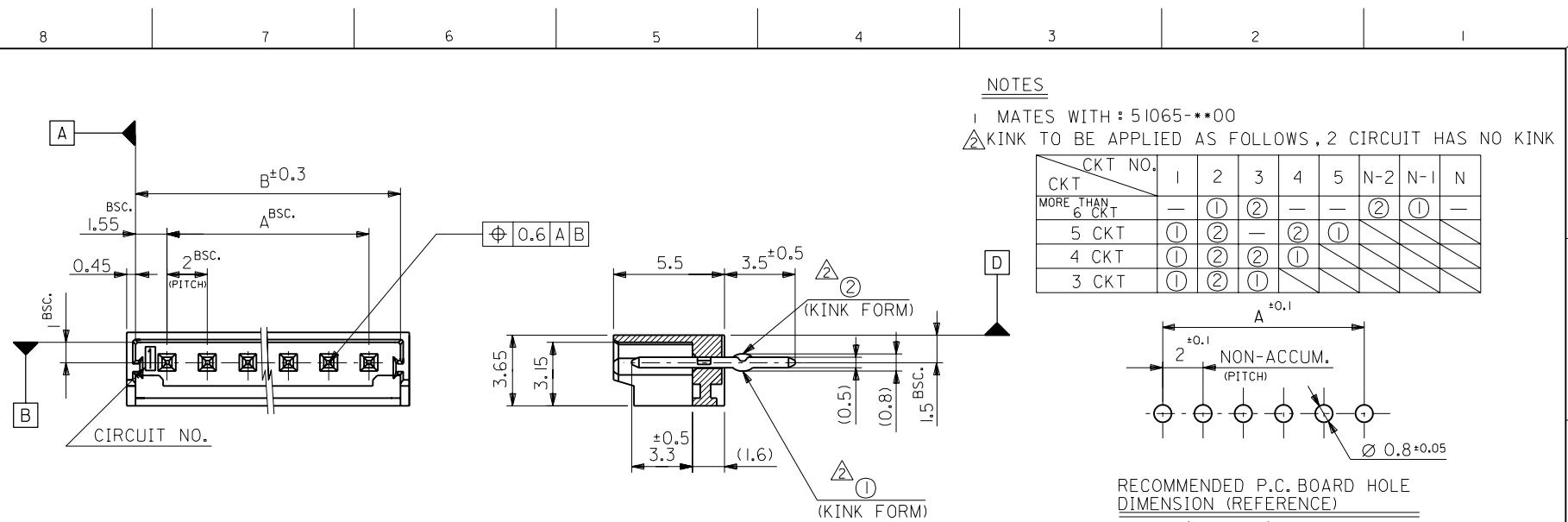
材料 MATERIAL	図中参照	MOLEX MOLEX-JAPAN CO.,LTD. 日本モレックス株式会社
仕上げ FINISH	図中参照	EDP. NO.
適用電線範囲 WIRE RANGE	—	ENG. NO. SD-53253-***10
被覆外径 INS. RANGE	—	REV. C
角度 ANGLE	±3°	
30以上 OVER	+0.3	
10以上 30未滿 UNDER	+0.25	
10未滿 UNDER	+0.2	
一般公差 GENERAL TOLERANCES		
変更内容 REVISION RECORD	DR. DATE	尺度 SCALE 5-1
REVISE ONLY ON CAD SYSTEM		

THIS DRAWING CONTAINS INFORMATION THAT IS PROPRIETARY TO MOLEX(JAPAN) AND SHOULD NOT BE USED WITHOUT WRITTEN PERMISSION  
本図面は日本モレックス(株)の所有する情報を含むもので 当社の許可なく複製を禁止する。

ENG. NO.  
SD-53253-\*\*\*10

EDP NO.

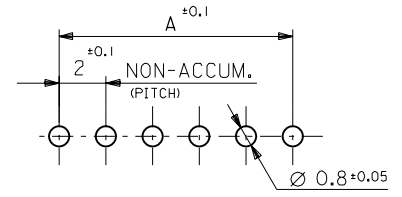
ALL DIMENSIONS IN METRIC DO NOT SCALE DRAWING



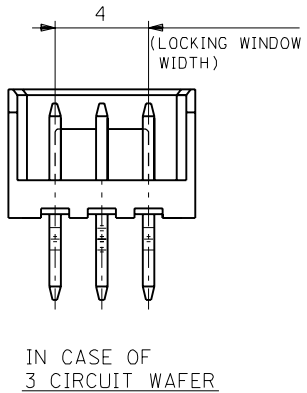
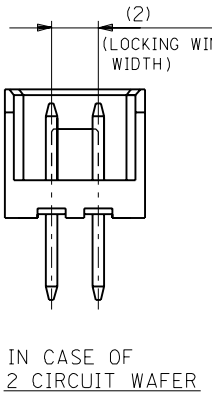
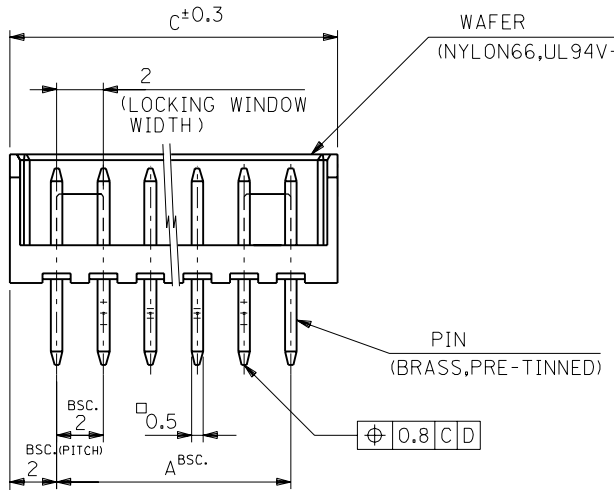
NOTES

1 MATES WITH: 51065-\*\*\*00  
 △KINK TO BE APPLIED AS FOLLOWS, 2 CIRCUIT HAS NO KINK

CKT NO.	1	2	3	4	5	N-2	N-1	N
MORE THAN 6 CKT	—	①	②	—	—	②	①	—
5 CKT	①	②	—	②	①	—	—	—
4 CKT	①	②	②	①	—	—	—	—
3 CKT	①	②	①	—	—	—	—	—



RECOMMENDED P.C. BOARD HOLE DIMENSION (REFERENCE)  
 (t = 1.6)



32	31.1	28	53253-1510	15
30	29.1	26	-1410	14
28	27.1	24	-1310	13
26	25.1	22	-1210	12
24	23.1	20	-1110	11
22	21.1	18	-1010	10
20	19.1	16	-0910	9
18	17.1	14	-0810	8
16	15.1	12	-0710	7
14	13.1	10	-0610	6
12	11.1	8	-0510	5
10	9.1	6	-0410	4
8	7.1	4	-0310	3
6	5.1	2	53253-0210	2
C	B	A	ENG NO.	CKT

角度 ANGLE	公差	記号	変更内容	DR. CHK.	日付 DATE
30 以上 OVER	+3°	C	REVISD (J20439)	T.I. M.S.	92/7/17
10 以上 30 未満 UNDER	+0.3	B	REVISD (J10095)	T.I. S.	91/2/28
10 未満 UNDER	+0.25	A	REVISD (J00016)	T.I.	90/1/11
一般公差 GENERAL TOLERANCES	+0.2	O	PROPOSED (J91084)	T.I.	89/12/20

材料 MATERIAL REFER TO DRAWING  
 仕上げ FINISH REFER TO DRAWING  
 適用電線範囲 WIRE RANGE ———  
 被覆外径 INS. RANGE ———

DRAWN BY 89/9/21 S.AIHARA  
 APP'D BY 91/9/11 M.EMENOMOTO

CHK'D BY 91/9/11 M.FURUSHIMA  
 尺度 SCALE 5-1

材料 MOLEX-JAPAN CO.,LTD. 日本モレックス株式会社  
 EDP NO.  
 ENG. NO. SD-53253-\*\*\*10  
 TITLE 名称 NEW 2.0 WIRE TO BOARD CONN. WAFER ASS'Y (ST.)  
 REV C

THIS DRAWING CONTAINS INFORMATION THAT IS PROPRIETARY TO MOLEX(JAPAN) AND SHOULD NOT BE USED WITHOUT WRITTEN PERMISSION  
 本図面は日本モレックス(株)の所有する情報を含むもので 当社の許可なく複製を禁止する。

MXJ-8

ZFC01 0010261A53253.S031