



Chipsmall Limited consists of a professional team with an average of over 10 year of expertise in the distribution of electronic components. Based in Hongkong, we have already established firm and mutual-benefit business relationships with customers from,Europe,America and south Asia,supplying obsolete and hard-to-find components to meet their specific needs.

With the principle of “Quality Parts,Customers Priority,Honest Operation,and Considerate Service”,our business mainly focus on the distribution of electronic components. Line cards we deal with include Microchip,ALPS,ROHM,Xilinx,Pulse,ON,Everlight and Freescale. Main products comprise IC,Modules,Potentiometer,IC Socket,Relay,Connector.Our parts cover such applications as commercial,industrial, and automotives areas.

We are looking forward to setting up business relationship with you and hope to provide you with the best service and solution. Let us make a better world for our industry!



Contact us

Tel: +86-755-8981 8866 Fax: +86-755-8427 6832

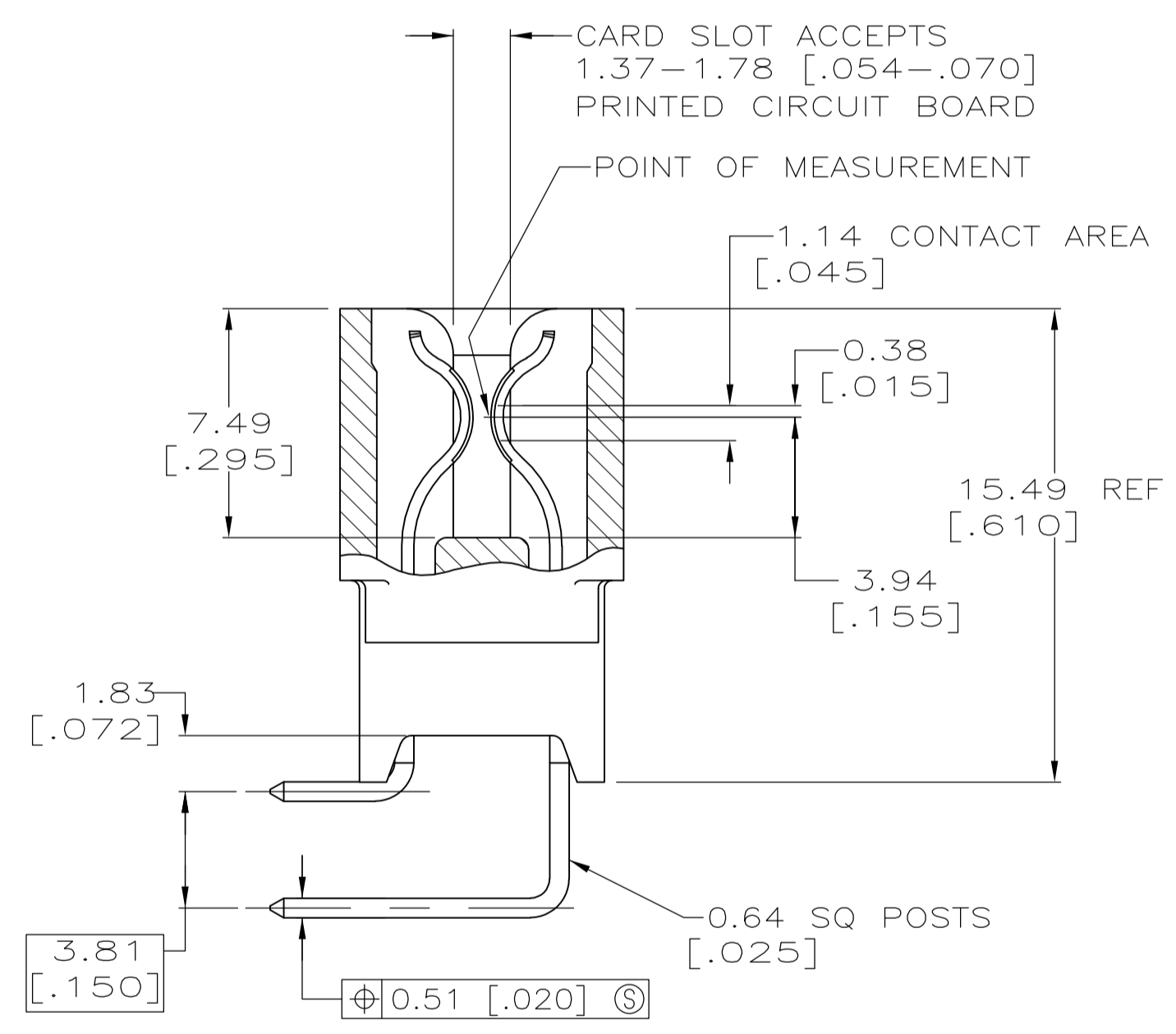
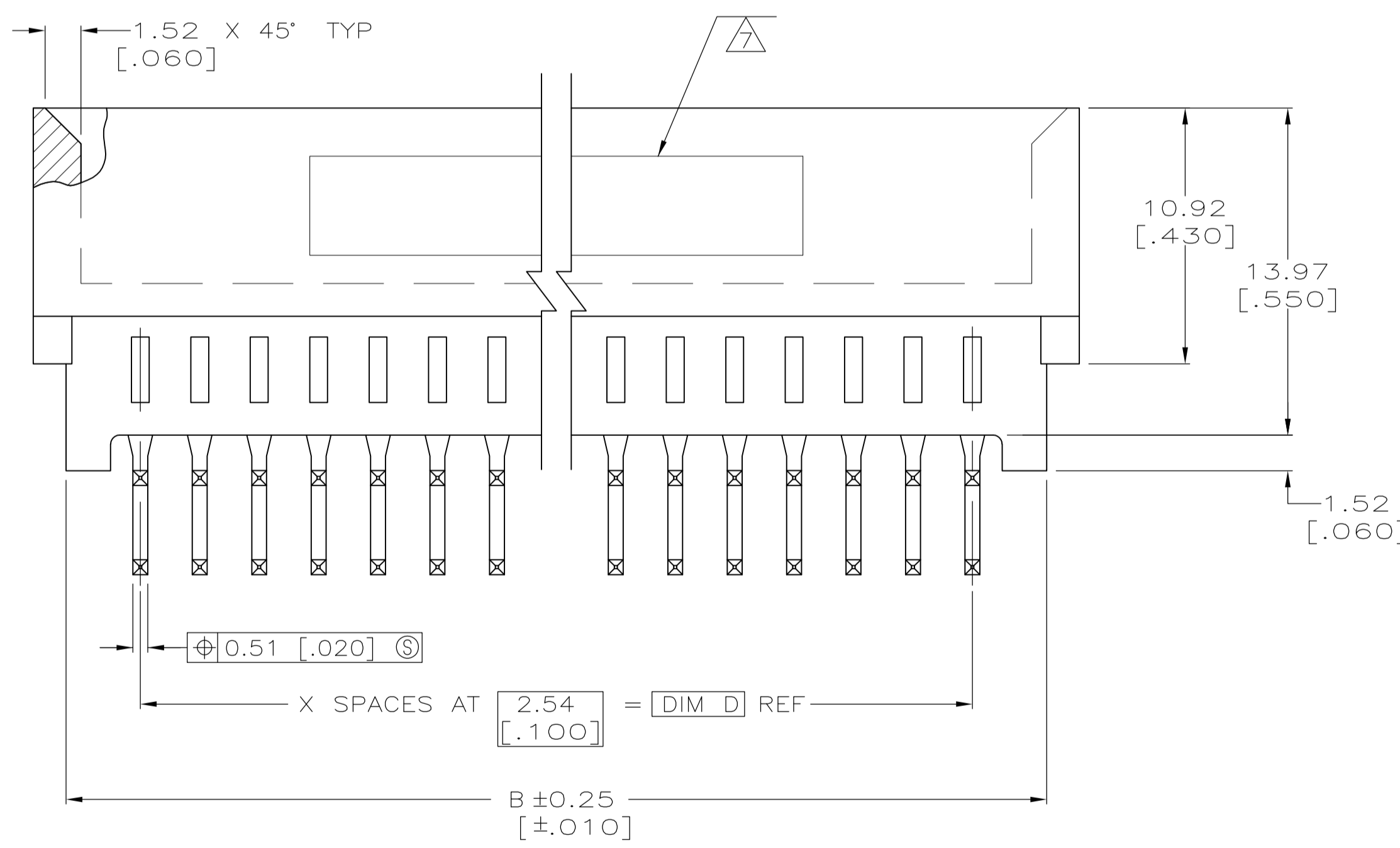
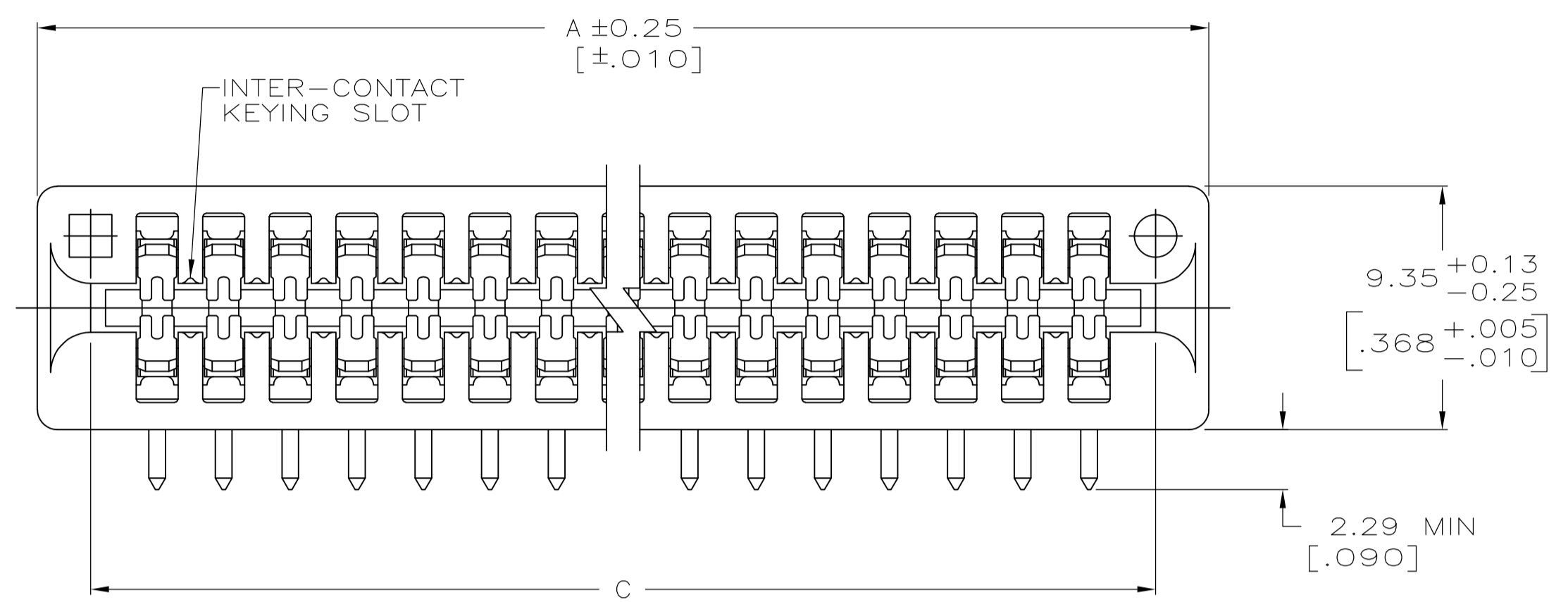
Email & Skype: info@chipsmall.com Web: www.chipsmall.com

Address: A1208, Overseas Decoration Building, #122 Zhenhua RD., Futian, Shenzhen, China



LOC		DIST		REVISIONS			
GP	00	REV	DATE	BY	CHK	APPV	
R		REVISED PER EC 0515-0061-05	27 APR 05	AWF	AWF		
R1		REVISED PER ECO-09-021826	OBJAN10	KK	AEG		

- ① HOUSING: GLASS FILLED POLYESTER; COLOR: BLACK.
- ② CONTACT: PHOSPHOR BRONZE.
- ③ NICKEL UNDERPLATE: 0.00127 [.000050] MIN - ALL OVER.
- ④ TIN-LEAD PLATE: 0.00254 [.000100] MIN - SOLDER POSTS.
- ⑤ GOLD PLATE: 0.00038 [.000015] MIN - CONTACT AREA.
- ⑥ NICKEL PLATE PER MIL-G-45204. GOLD PLATE PER QQ-N-290.
- ⑦ AMP PART NUMBER AND DATE CODE ARE MARKED IN APPROXIMATE AREA SHOWN, EITHER SIDE.
- ⑧ RECOMMENDED PCB FINISHED HOLE DIA: 1.07±0.08 [.042±.003].
- ⑨ OBSOLETE PARTS: OBSOLETE CIS STREAMLINING PER D.RENAUD/D.SINISI



⑨	SUPERSEDED BY 5532600-6	45.72 [1.800]	50.80 [2.000]	52.07 [2.050]	54.864 [2.160]	18	19	532600-6
		78.74 [3.100]	83.82 [3.300]	85.09 [3.350]	87.88 [3.460]	31	32	532600-5
		76.20 [3.000]	81.28 [3.200]	82.55 [3.250]	85.34 [3.360]	30	31	532600-4
⑨	OBSOLETE BY 5532600-2	60.96 [2.400]	66.04 [2.600]	67.31 [2.650]	70.10 [2.760]	24	25	532600-2
		-	-	-	-	-	50	532600-3
		-	-	-	-	-	18	532600-1
		D	C	B	A	X	NO OF POSN	PART NUMBER

THIS DRAWING IS A CONTROLLED DOCUMENT.

DIMENSIONS: mm	TOLERANCES UNLESS OTHERWISE SPECIFIED:	0 PLC ± -	1 PLC ± -	2 PLC ± 0.13 [.005]	3 PLC ± -	4 PLC ± -	ANGLES ± °				
MATERIAL		FINISH		SIZE		CAGE CODE		DRAWING NO		RESTRICTED TO	
①②		③④⑤⑥		A1		00779		532600		-	
CUSTOMER DRAWING				SCALE 5:1		SHEET 1 OF 1		REV R1			

APPROVED: M THUMMA, DATE: 2-27-92
 Tyco Electronics Corporation, Harrisburg, Pa 17105-3608
 PRODUCT SPEC: 108-9039
 APPLICATION SPEC: 2.54 [.100]