



Chipsmall Limited consists of a professional team with an average of over 10 year of expertise in the distribution of electronic components. Based in Hongkong, we have already established firm and mutual-benefit business relationships with customers from,Europe,America and south Asia,supplying obsolete and hard-to-find components to meet their specific needs.

With the principle of "Quality Parts,Customers Priority,Honest Operation,and Considerate Service",our business mainly focus on the distribution of electronic components. Line cards we deal with include Microchip,ALPS,ROHM,Xilinx,Pulse,ON,Everlight and Freescale. Main products comprise IC,Modules,Potentiometer,IC Socket,Relay,Connector.Our parts cover such applications as commercial,industrial, and automotives areas.

We are looking forward to setting up business relationship with you and hope to provide you with the best service and solution. Let us make a better world for our industry!



Contact us

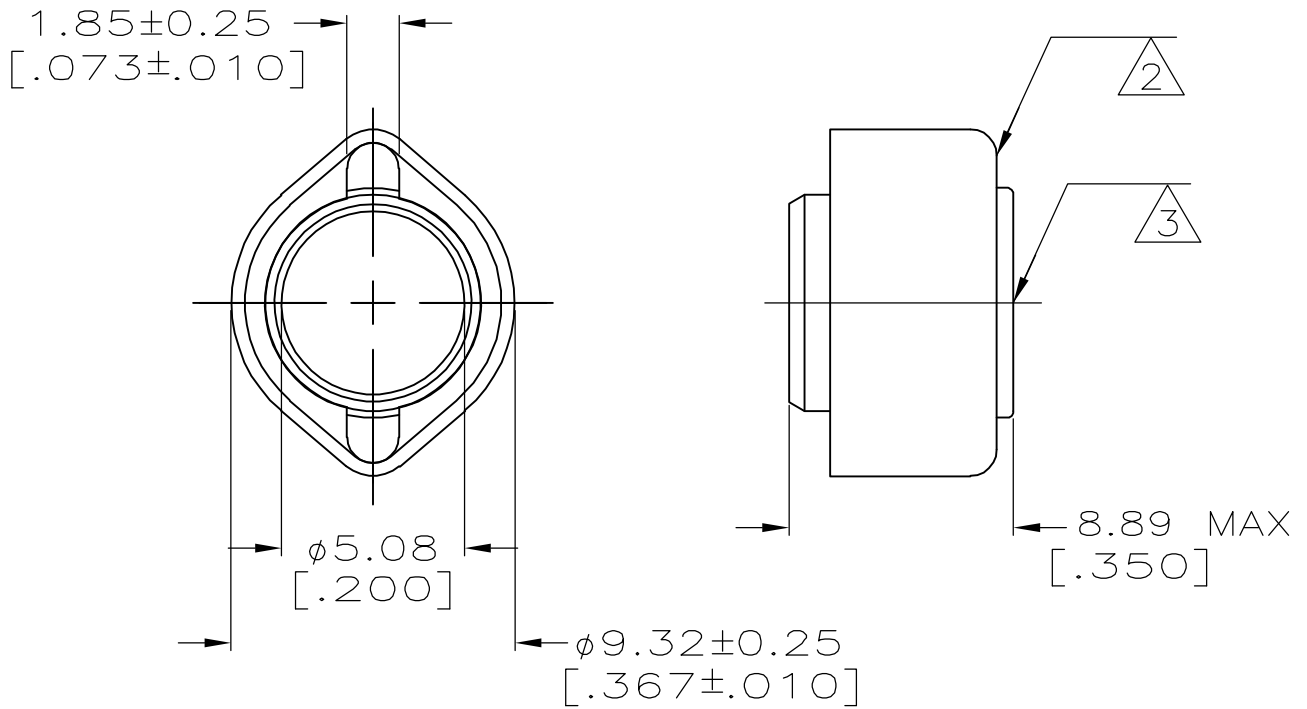
Tel: +86-755-8981 8866 Fax: +86-755-8427 6832

Email & Skype: info@chipsmall.com Web: www.chipsmall.com

Address: A1208, Overseas Decoration Building, #122 Zhenhua RD., Futian, Shenzhen, China



LOC	DIST	REVISIONS					
AJ	16	P	LTR	DESCRIPTION	DATE	DWN	APVD
		A		REVISED PER EC OS14-0150-05	12JAN2005	REH	JL



INSULATION SIZE: 3.68-4.67 DIA
[.145-.184]

- ① ZINC PLATE PER QQ-Z-325
- ② COPPER PER QQ-C-576
- ③ BRASS PER ASTM-B-16

RELEASED FOR PUBLICATION

ALL RIGHTS RESERVED.

© COPYRIGHT BY TYCO ELECTRONICS CORPORATION.

THIS DRAWING IS UNPUBLISHED.

①	5327138
FINISH	PART NUMBER

DIMENSIONS: mm [INCHES]	DWN L. VARELA - DOCK5	21APR2005	MATERIAL	FINISH		
	CHK J. HAVENER	21APR2005	SEE NOTES	-		
TOLERANCES UNLESS OTHERWISE SPECIFIED:	APVD J. LIPPERT	21APR2005	Tyco Electronics Corporation Harrisburg, PA 17105-3608			
	PRODUCT SPEC	-			NAME	FERRULE ASSEMBLY, TERMASHIELD
0 PLC ± -	APPLICATION SPEC	-	SIZE	CAGE CODE	DRAWING NO	RESTRICTED TO
1 PLC ± -	WEIGHT	-	A4	00779	①-5327138	-
2 PLC ± -	CUSTOMER DRAWING		SCALE	4:1	SHEET	1 OF 1
3 PLC ± .005						REV
4 PLC ± -						A
ANGLES ± -						