



Chipsmall Limited consists of a professional team with an average of over 10 year of expertise in the distribution of electronic components. Based in Hongkong, we have already established firm and mutual-benefit business relationships with customers from,Europe,America and south Asia,supplying obsolete and hard-to-find components to meet their specific needs.

With the principle of "Quality Parts,Customers Priority,Honest Operation,and Considerate Service",our business mainly focus on the distribution of electronic components. Line cards we deal with include Microchip,ALPS,ROHM,Xilinx,Pulse,ON,Everlight and Freescale. Main products comprise IC,Modules,Potentiometer,IC Socket,Relay,Connector.Our parts cover such applications as commercial,industrial, and automotives areas.

We are looking forward to setting up business relationship with you and hope to provide you with the best service and solution. Let us make a better world for our industry!



Contact us

Tel: +86-755-8981 8866 Fax: +86-755-8427 6832

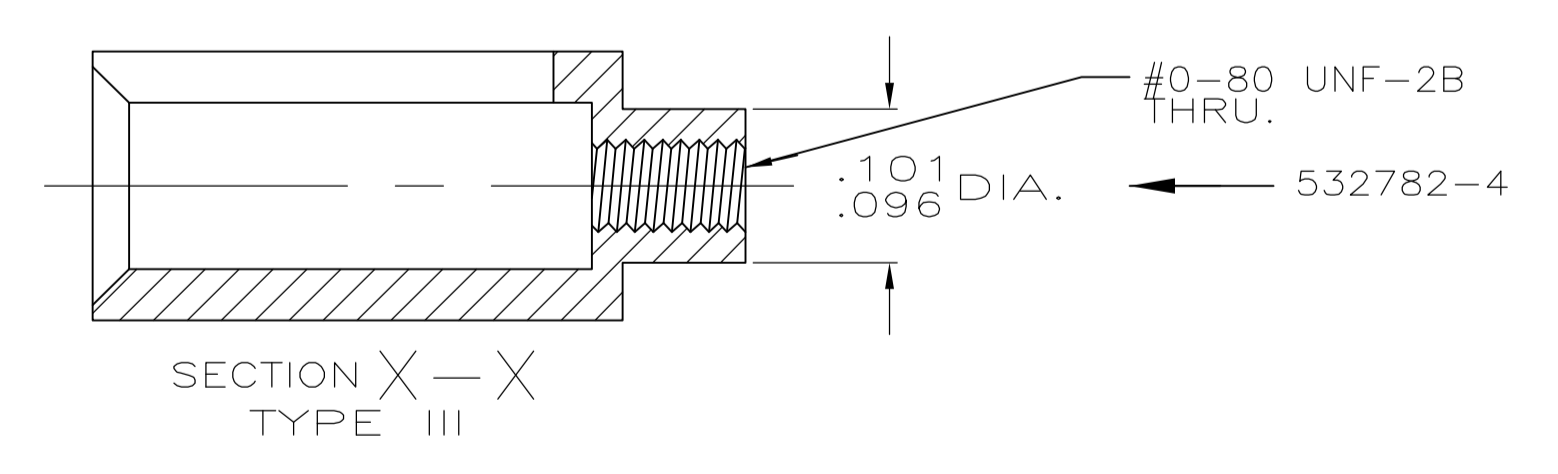
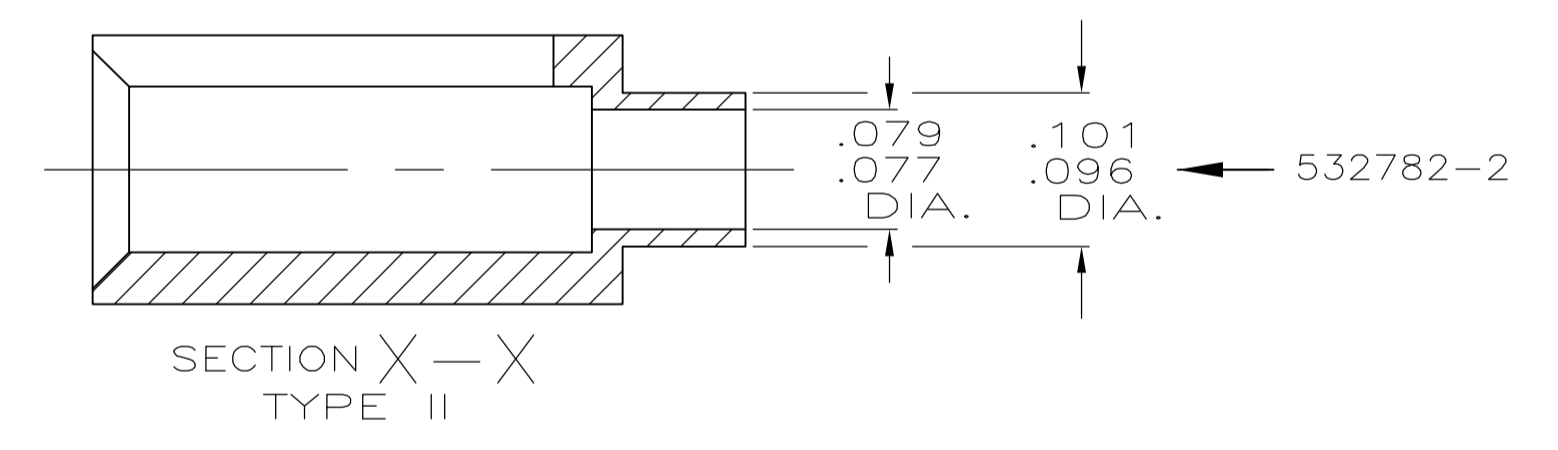
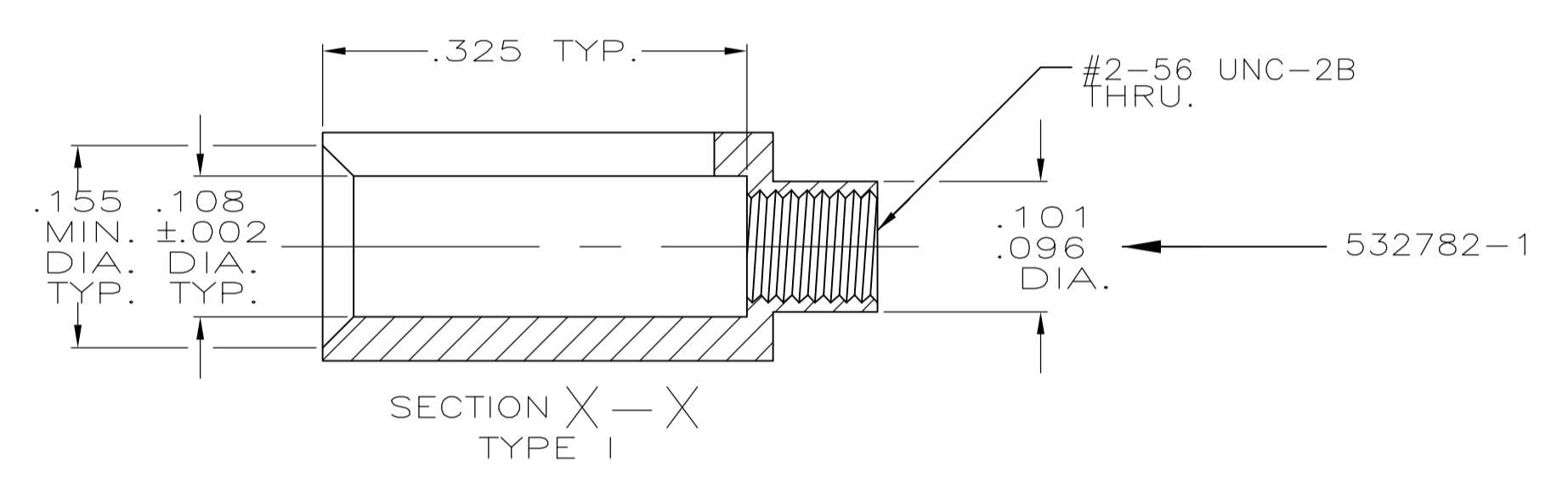
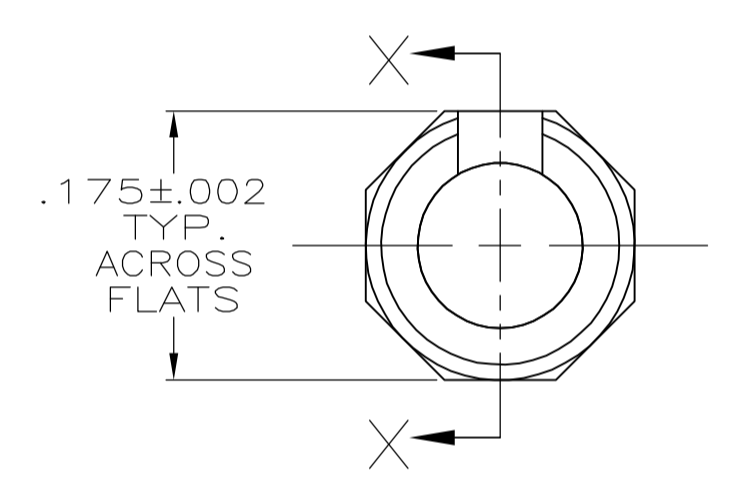
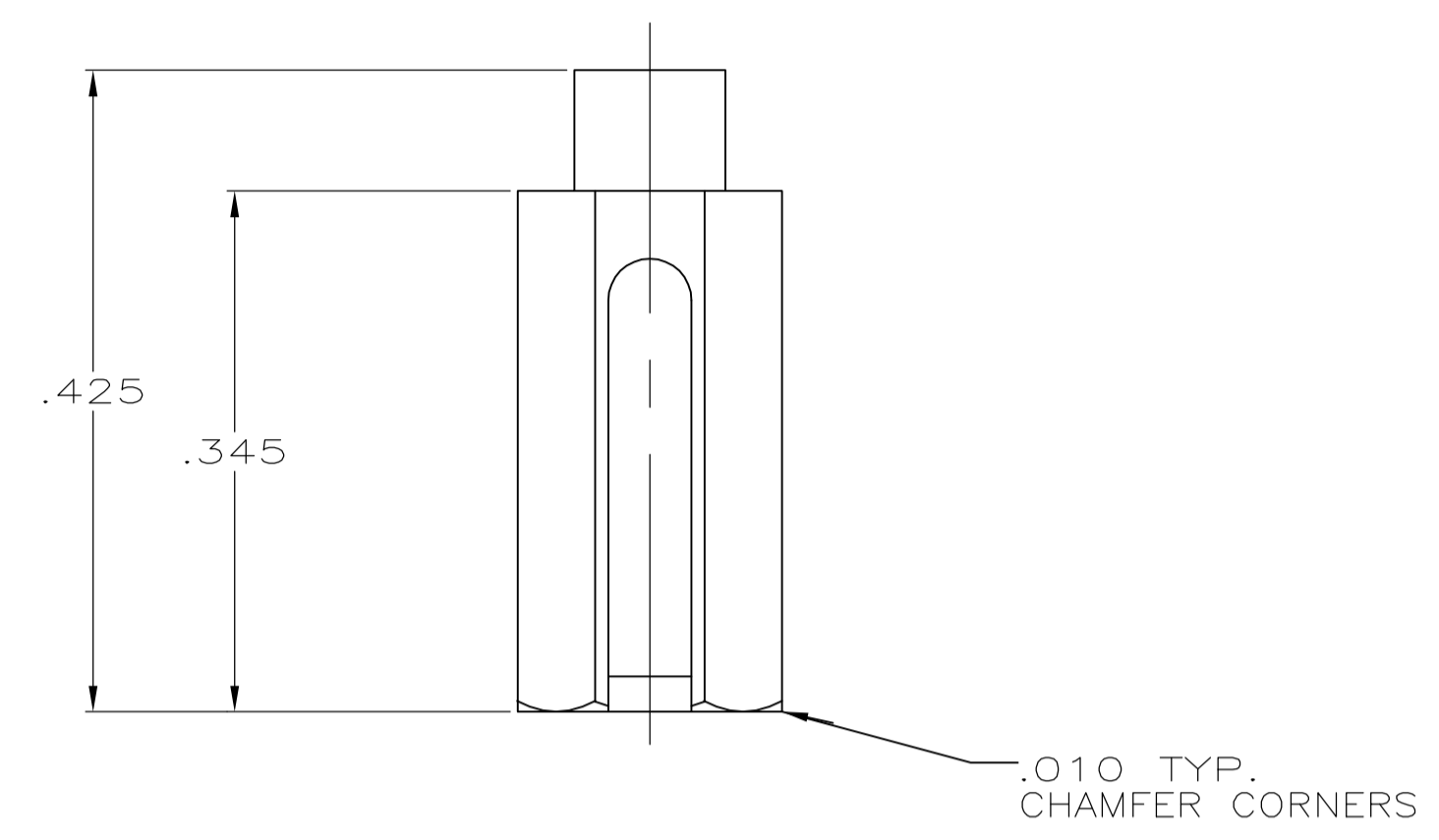
Email & Skype: info@chipsmall.com Web: www.chipsmall.com

Address: A1208, Overseas Decoration Building, #122 Zhenhua RD., Futian, Shenzhen, China



LOC		DIST		REVISIONS			
AD	25	REV	DATE	DESCRIPTION	DATE	BY	APPV
		G		REVISED PER EC 0512-0287-05	10DEC05	JDP	AMS

- △ KIT CONSISTS OF (1) 532782-1 INSERT AND (1) 6-21082-9 SCREW (#2-56 X .125 LONG.)
- △ TO BE USED WITH PART NUMBER 531713-1.
- 3. MOUNT WITH .125 LONG #2-56 SCREW.



	-	III	532782-4
OBSOLETE	△	I	532782-3
OBSOLETE	△	II	532782-2
	-	I	532782-1
REMARKS		TYPE	532782-1

THIS DRAWING IS A CONTROLLED DOCUMENT.

DIMENSIONS: mm [INCHES]	TOLERANCES UNLESS OTHERWISE SPECIFIED:	DWG: T. HOFFMAN 9/28/94	CHK: G.E. SKIPPER 10/14/94	APVD: -	NAME: -	tyco Electronics	Tyco Electronics Corporation Harrisburg, PA 17105-3608
0 PLC ± -	1 PLC ± -	2 PLC ± 0.13 [.005]	3 PLC ± -	4 PLC ± -	ANGLES ± -	PRODUCT SPEC	KEYING, INSERT COMBINATION GUIDE
MATERIAL: STAINLESS STEEL	FINISH: PASSIVATED	WEIGHT: -	SIZE: A1	CAGE CODE: 00779	DRAWING NO: 532782	RESTRICTED TO: -	CUSTOMER DRAWING
		SCALE: 4:1	SHEET: 1 OF 1	REV: G			