



Chipsmall Limited consists of a professional team with an average of over 10 year of expertise in the distribution of electronic components. Based in Hongkong, we have already established firm and mutual-benefit business relationships with customers from,Europe,America and south Asia,supplying obsolete and hard-to-find components to meet their specific needs.

With the principle of "Quality Parts,Customers Priority,Honest Operation,and Considerate Service",our business mainly focus on the distribution of electronic components. Line cards we deal with include Microchip,ALPS,ROHM,Xilinx,Pulse,ON,Everlight and Freescale. Main products comprise IC,Modules,Potentiometer,IC Socket,Relay,Connector.Our parts cover such applications as commercial,industrial, and automotives areas.

We are looking forward to setting up business relationship with you and hope to provide you with the best service and solution. Let us make a better world for our industry!



## Contact us

Tel: +86-755-8981 8866 Fax: +86-755-8427 6832

Email & Skype: info@chipsmall.com Web: www.chipsmall.com

Address: A1208, Overseas Decoration Building, #122 Zhenhua RD., Futian, Shenzhen, China



DRAWING MADE IN THIRD ANGLE PROJECTION

3

2

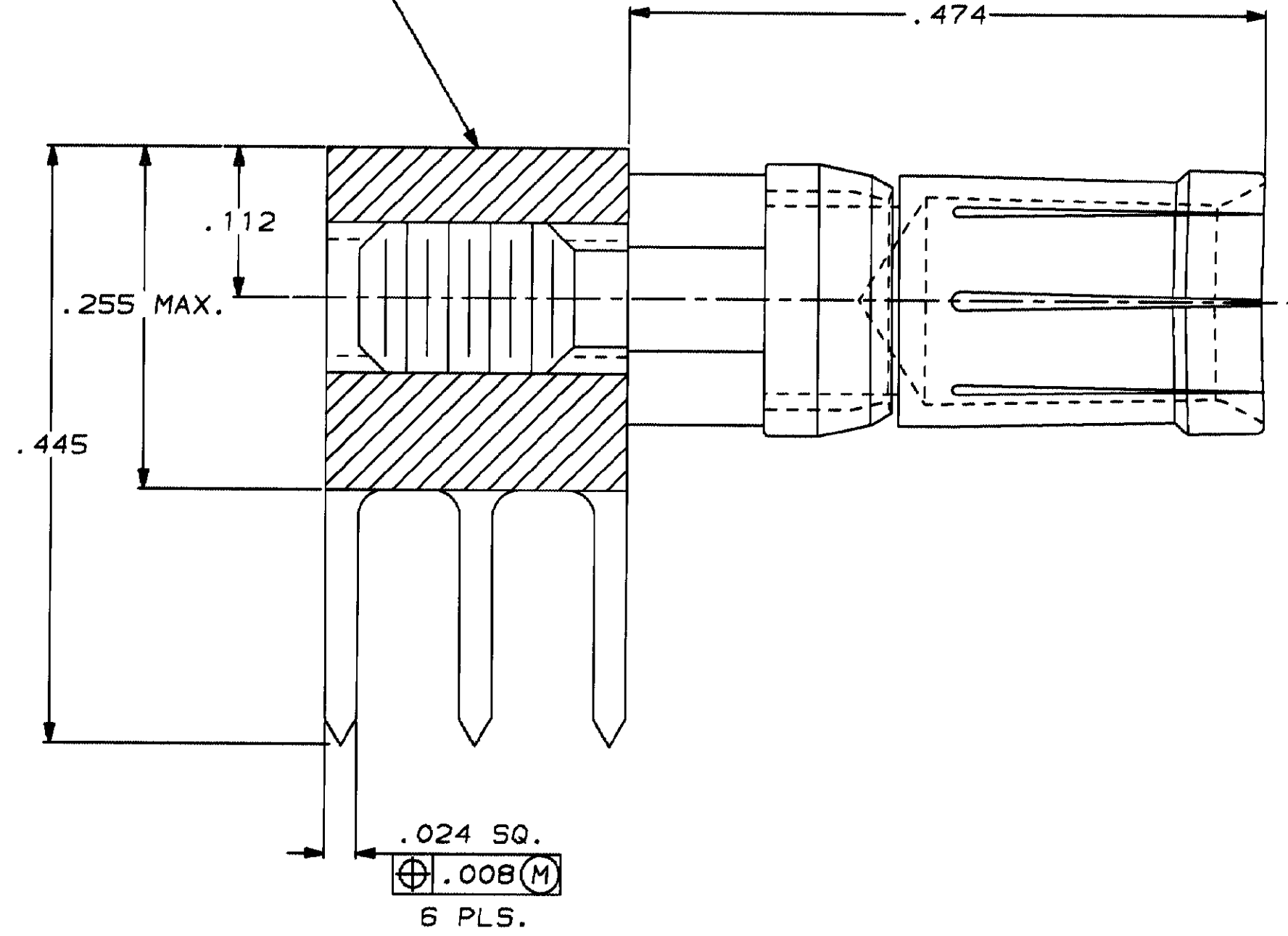
1

THIS DRAWING IS UNPUBLISHED. RELEASED FOR PUBLICATION, 19  
 © COPYRIGHT 19 BY AMP INCORPORATED, HARRISBURG, PA. ALL INTERNATIONAL RIGHTS RESERVED. AMP PRODUCTS MAY BE COVERED BY U.S. AND FOREIGN PATENTS AND/OR PATENTS PENDING.

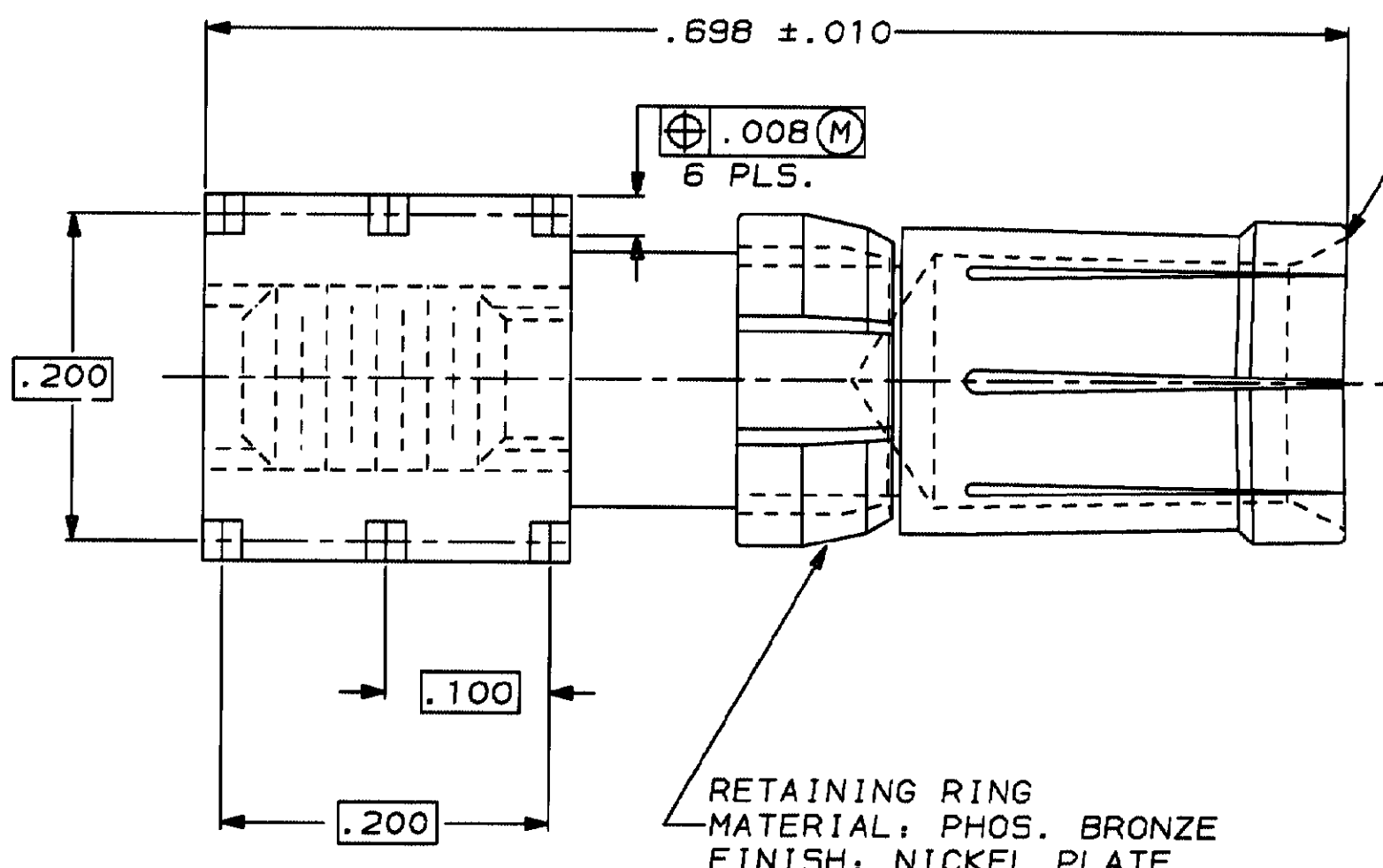
LOC		DIST		REVISIONS				
AD	25	P	F	ZONE	LTR	DESCRIPTION	DATE	APPROVED
					B	ECN AB1530, REDRAWN	8/8/86	RKS
					C	ECN AD2246	1/21/88	DLH
					D	ECN AD2557		DLH
					D1	SUPERSEDES #534137 ECN AD2665	7/11/88	DLH
					E	REV. PER ECN. AD5734	08/09/91	TH

SOCKET BASE  
 MATERIAL: COPPER ALLOY, CA 360  
 FINISH:  $\triangle 2$   $\triangle 3$

- $\triangle 1$  CONTACT FINISH: .000030 GOLD PLATE OVER .000050 THK. NICKEL UNDERPLATE.
- $\triangle 2$  SOCKET BASE FINISH: GOLD FLASH OVER .000050 NICKEL UNDERPLATE.
- $\triangle 3$  SOCKET BASE FINISH: .000150 MATTE TIN-LEAD OVER .000050 NICKEL UNDERPLATE.



SOCKET CONTACT  
 MATERIAL: BERYLLIUM COPPER, CA 173  
 FINISH:  $\triangle 1$



RETAINING RING  
 MATERIAL: PHOS. BRONZE  
 FINISH: NICKEL PLATE

$\triangle 1$ $\triangle 3$	532823-2
$\triangle 1$ $\triangle 2$	532823-1
FINISH	PART NUMBER

UNLESS OTHERWISE SPECIFIED DIMENSIONS ARE IN INCHES TOLERANCES ON:		DR 1/19/88 D. HOFFMAN		AMP INCORPORATED Harrisburg, Pa. 17105	
2 PL DEC ± -		CHK 01/23/92 J.D. WEARY			
3 PL DEC ± .005		APPD 01/23/92 J.D. WEARY		NAME	
ANGLES ± -		APPD 01/23/92 J.D. WEARY		RECEPTACLE ASSEMBLY, POWER CONTACT, HDi	
MATERIAL		PRODUCT SPEC		SIZE	
FINISH		APPLICATION SPEC		FSCM NO	
$\triangle 1$ $\triangle 2$ $\triangle 3$		WEIGHT		DRAWING NO	
				00779	
				532823	
				SCALE 10:1	
				SHEET 1 of 1	