



Chipsmall Limited consists of a professional team with an average of over 10 year of expertise in the distribution of electronic components. Based in Hongkong, we have already established firm and mutual-benefit business relationships with customers from,Europe,America and south Asia,supplying obsolete and hard-to-find components to meet their specific needs.

With the principle of “Quality Parts,Customers Priority,Honest Operation,and Considerate Service”,our business mainly focus on the distribution of electronic components. Line cards we deal with include Microchip,ALPS,ROHM,Xilinx,Pulse,ON,Everlight and Freescale. Main products comprise IC,Modules,Potentiometer,IC Socket,Relay,Connector.Our parts cover such applications as commercial,industrial, and automotives areas.

We are looking forward to setting up business relationship with you and hope to provide you with the best service and solution. Let us make a better world for our industry!



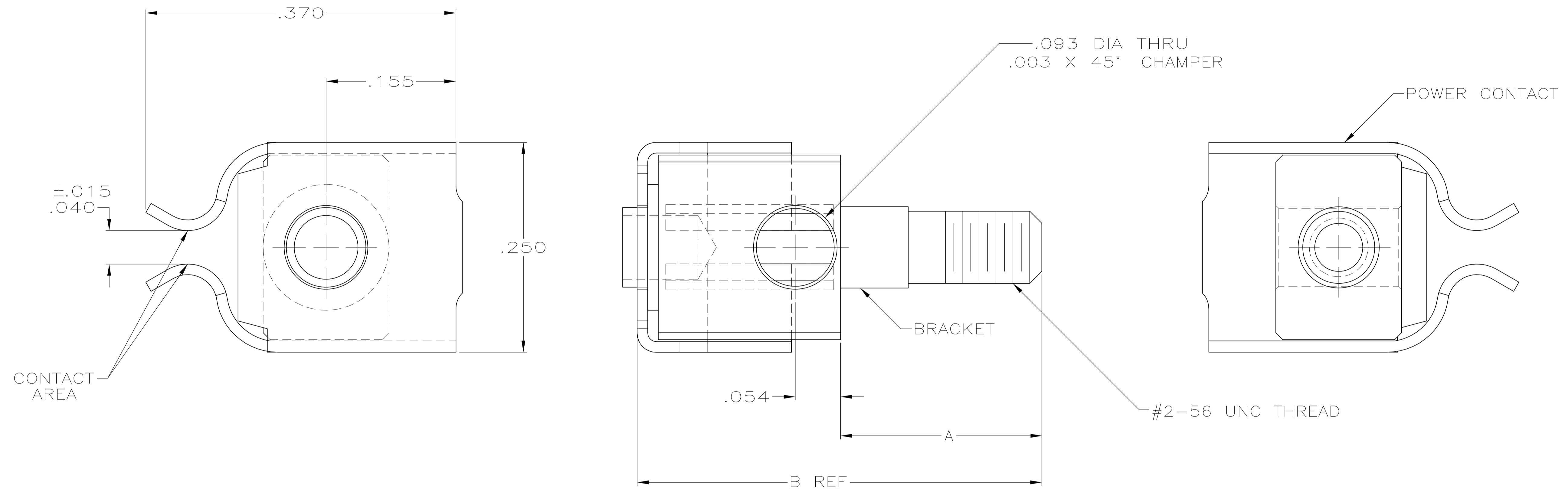
## Contact us

Tel: +86-755-8981 8866 Fax: +86-755-8427 6832

Email & Skype: info@chipsmall.com Web: www.chipsmall.com

Address: A1208, Overseas Decoration Building, #122 Zhenhua RD., Futian, Shenzhen, China





- 1 CONTACT MATERIAL: PHOSPHOR BRONZE.
- 2 BRACKET MATERIAL: BRASS.
- 3 FINISH: .000050 -.000100 NICKEL UNDERPLATE ALL OVER, .000030 GOLD IN CONTACT AREA, GOLD FLASH ON REMAINDER.
- 4 FINISH: .000050 -.000100 NICKEL ALL OVER.
- 5 FINISH: .000050-.000100 NICKEL UNDERPLATE ALL OVER, .000050 GOLD IN CONTACT AREA, GOLD FLASH ON REMAINDER.

OBSOLETE	.613	.360	△	1-532924-1
OBSOLETE	.648	.395	△	1-532924-0
OBSOLETE	.578	.325	△	532924-9
OBSOLETE	.678	.425	△	532924-8
	.478	.225	△	532924-7
OBSOLETE	.443	.190	△	532924-6
OBSOLETE	.538	.285	△	532924-5
	.538	.285	△	532924-4
	.578	.325	△	532924-3
	-	-	-	-
	.678	.425	△	532924-1
	B	A	FINISH	PART NUMBER

THIS DRAWING IS A CONTROLLED DOCUMENT. **STE** TE Connectivity

DAVID LEE HOFFMAN 12/11/89  
D.L. HOFFMAN 8/17/92

AMP-HDI SERIES 100 GUIDE PIN POWER CONTACT ASSEMBLY, FOR END MOUNTS

SIZE: A1 CAGE CODE: 00779 DRAWING NO: 532924

SCALE: 4:1 SHEET: 1 OF 1 REV: N1