



Chipsmall Limited consists of a professional team with an average of over 10 year of expertise in the distribution of electronic components. Based in Hongkong, we have already established firm and mutual-benefit business relationships with customers from,Europe,America and south Asia,supplying obsolete and hard-to-find components to meet their specific needs.

With the principle of “Quality Parts,Customers Priority,Honest Operation,and Considerate Service”,our business mainly focus on the distribution of electronic components. Line cards we deal with include Microchip,ALPS,ROHM,Xilinx,Pulse,ON,Everlight and Freescale. Main products comprise IC,Modules,Potentiometer,IC Socket,Relay,Connector.Our parts cover such applications as commercial,industrial, and automotives areas.

We are looking forward to setting up business relationship with you and hope to provide you with the best service and solution. Let us make a better world for our industry!



Contact us

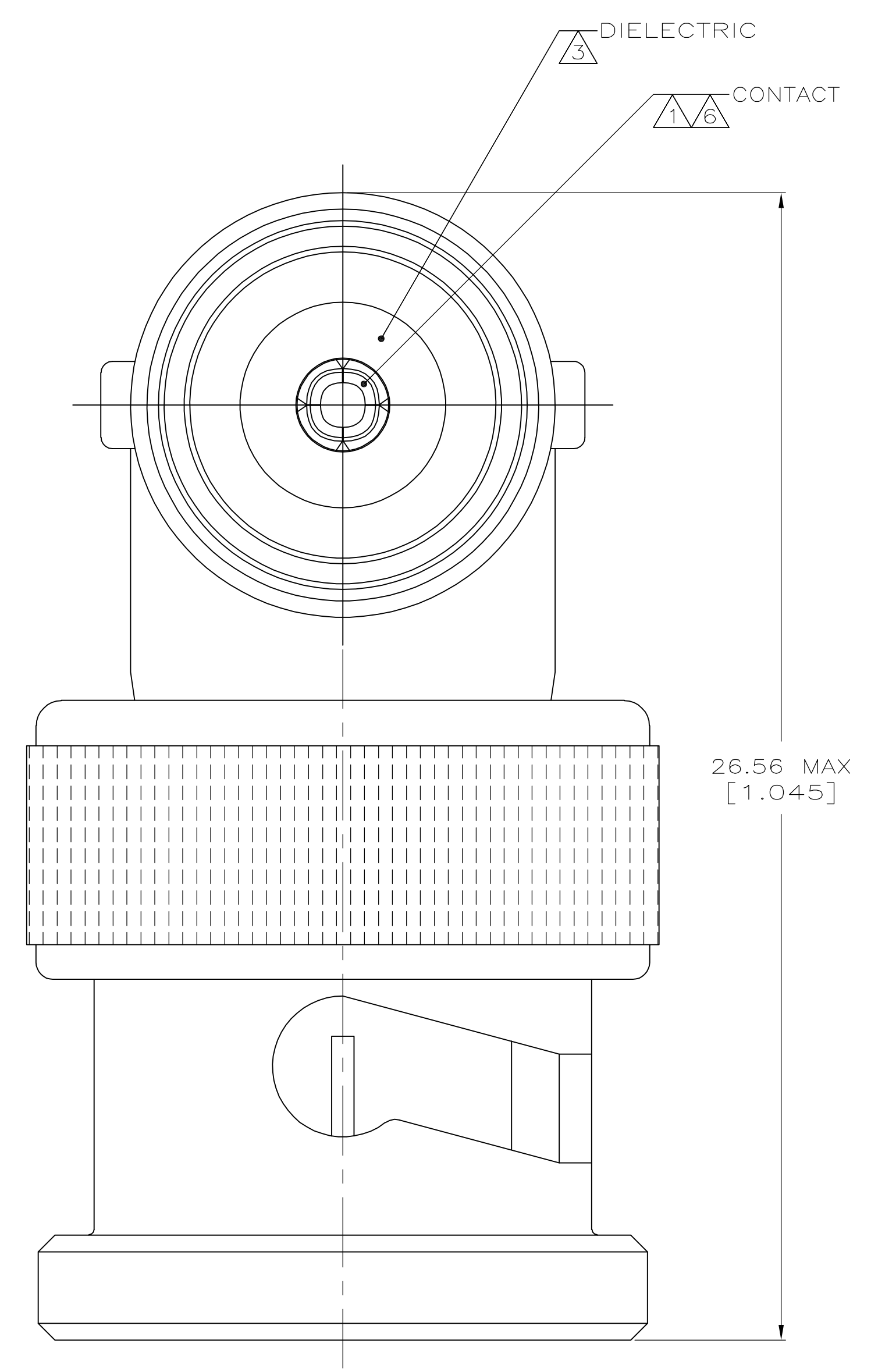
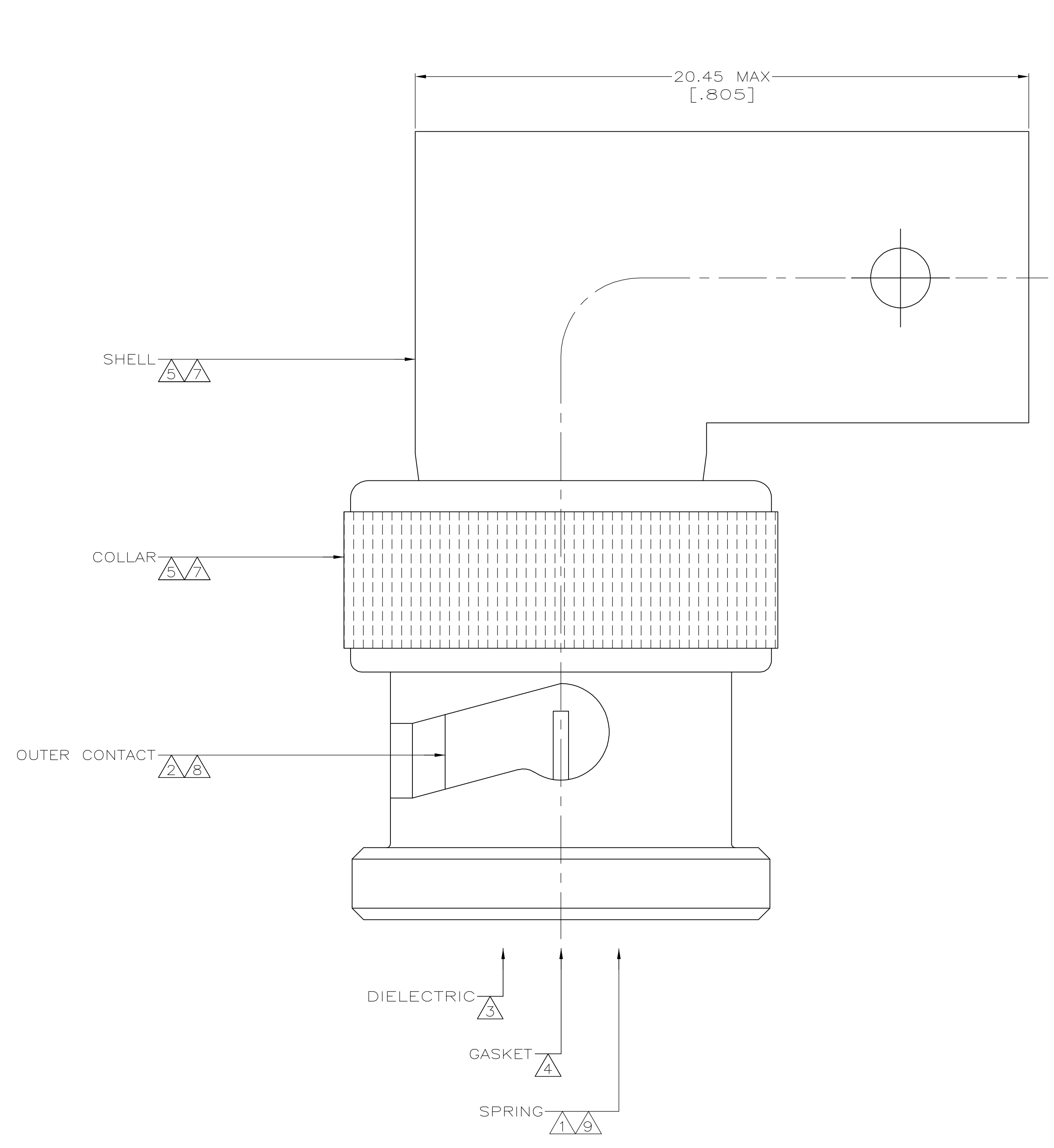
Tel: +86-755-8981 8866 Fax: +86-755-8427 6832

Email & Skype: info@chipsmall.com Web: www.chipsmall.com

Address: A1208, Overseas Decoration Building, #122 Zhenhua RD., Futian, Shenzhen, China



- △ BERYLLIUM COPPER PER ASTM-B-194
- △ BRASS PER ASTM-B-16
- △ PTFE PER ASTM-D-1710
- △ SILICONE RUBBER PER ZZ-R-765
- △ ZINC DIE CAST PER ASTM-B-86
- △ SILVER PLATE PER QQ-S-365, 5.08 μm [.000200] MIN THICKNESS
- △ NICKEL PLATE PER QQ-N-290, 1.27 μm [.000050] MIN THICKNESS
- △ NICKEL PLATE PER QQ-N-290, 2.54 μm [.000100] MIN THICKNESS
- △ TIN PLATE PER ASTM-B-545, 2.54 μm [.000100] MIN THICK.



5329517
 PART NUMBER

THIS DRAWING IS A CONTROLLED DOCUMENT.		DIN L VARELA - DOCKS 21APR2005		Tyco Electronics Corporation Harrisburg, PA 17105-3608
DIMENSIONS: mm [INCHES]		CHK J. HAVENER 21APR2005		PRODUCT SPEC
TOLERANCES UNLESS OTHERWISE SPECIFIED:		APVD J. LIPPERT 21APR2005	APPLICATION SPEC	RESTRICTED TO
0 PLC ± - 1 PLC ± - 2 PLC ± - 3 PLC ± - 4 PLC ± - ANGLES ± -		SIZE A1	CAGE CODE 00779	DRAWING NO C=5329517
MATERIAL SEE NOTES		FINISH SEE NOTES	WEIGHT -	SCALE 10:1 SHEET 1 OF 1 REV A
		CUSTOMER DRAWING		