



Chipsmall Limited consists of a professional team with an average of over 10 year of expertise in the distribution of electronic components. Based in Hongkong, we have already established firm and mutual-benefit business relationships with customers from,Europe,America and south Asia,supplying obsolete and hard-to-find components to meet their specific needs.

With the principle of “Quality Parts,Customers Priority,Honest Operation,and Considerate Service”,our business mainly focus on the distribution of electronic components. Line cards we deal with include Microchip,ALPS,ROHM,Xilinx,Pulse,ON,Everlight and Freescale. Main products comprise IC,Modules,Potentiometer,IC Socket,Relay,Connector.Our parts cover such applications as commercial,industrial, and automotives areas.

We are looking forward to setting up business relationship with you and hope to provide you with the best service and solution. Let us make a better world for our industry!



Contact us

Tel: +86-755-8981 8866 Fax: +86-755-8427 6832

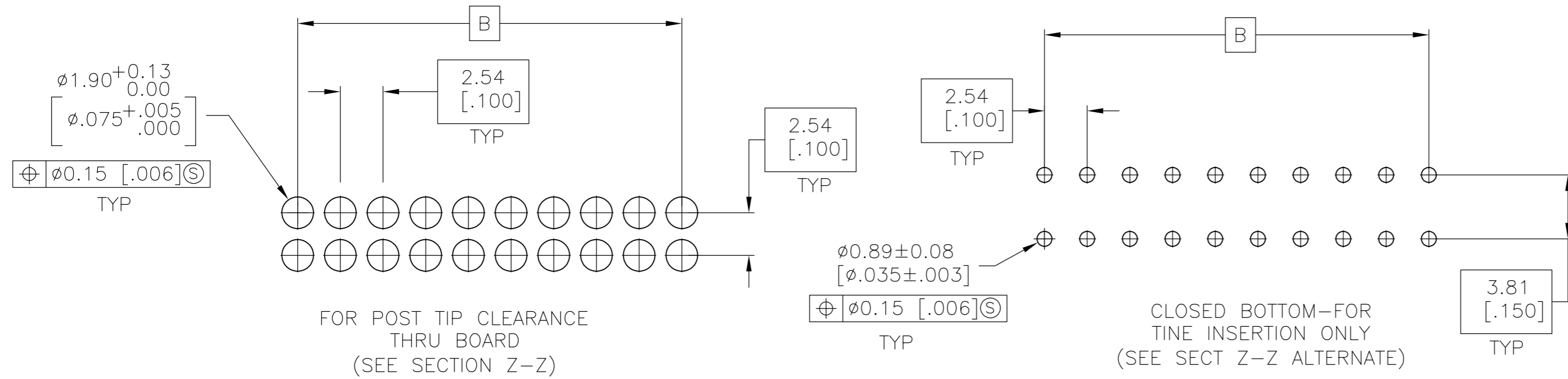
Email & Skype: info@chipsmall.com Web: www.chipsmall.com

Address: A1208, Overseas Decoration Building, #122 Zhenhua RD., Futian, Shenzhen, China

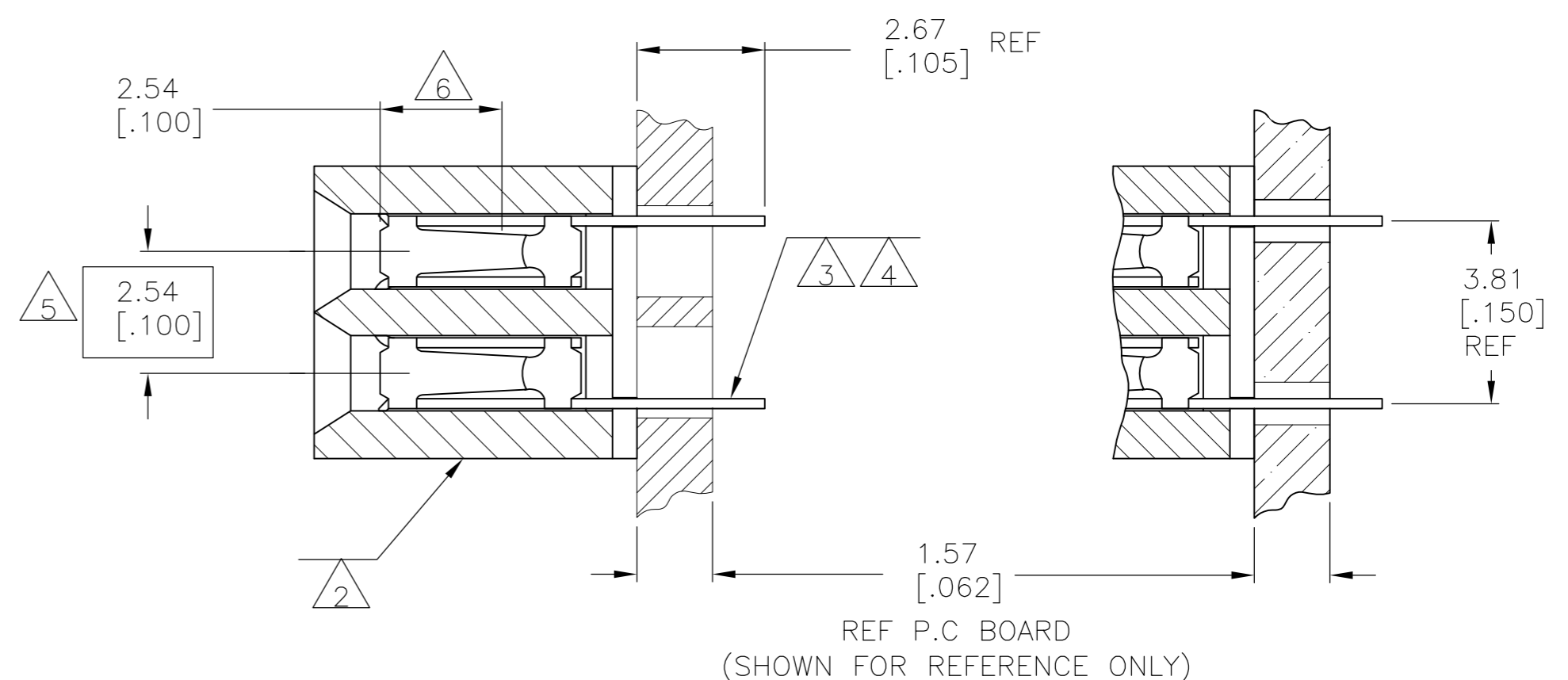
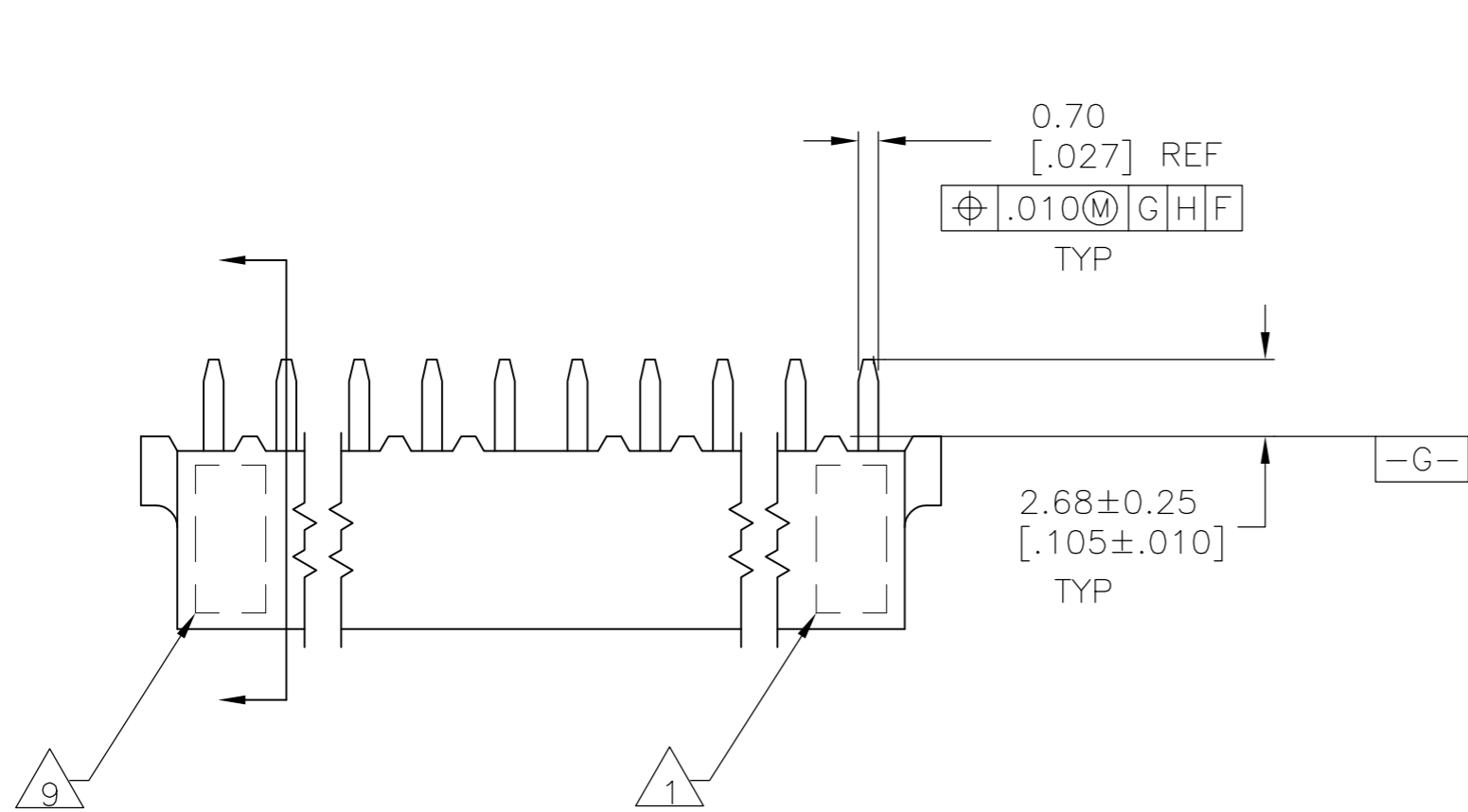


THIS DRAWING IS UNPUBLISHED. RELEASED FOR PUBLICATION
 © COPYRIGHT BY TYCO ELECTRONICS CORPORATION. ALL RIGHTS RESERVED.

LOC		DIST		REVISIONS			
P	LTR	DESCRIPTION	DATE	DWN	APVD		
	G	EC 0G3C 0045 05	25MAY05	BSV	JRO		
	G1	REVISED PER ECO-09-021510	11SEP09	KK	AEG		

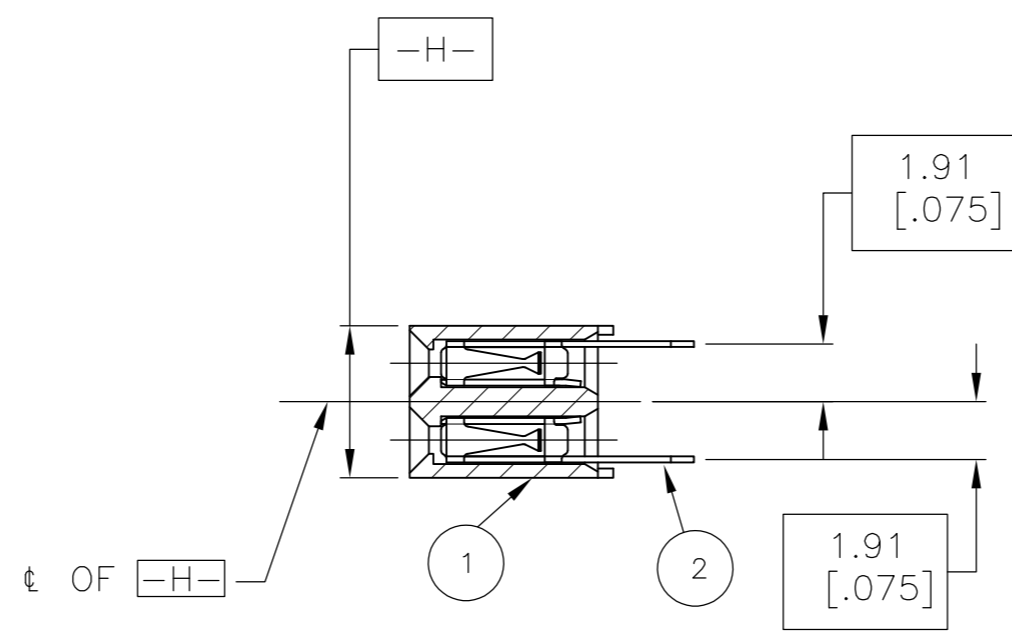
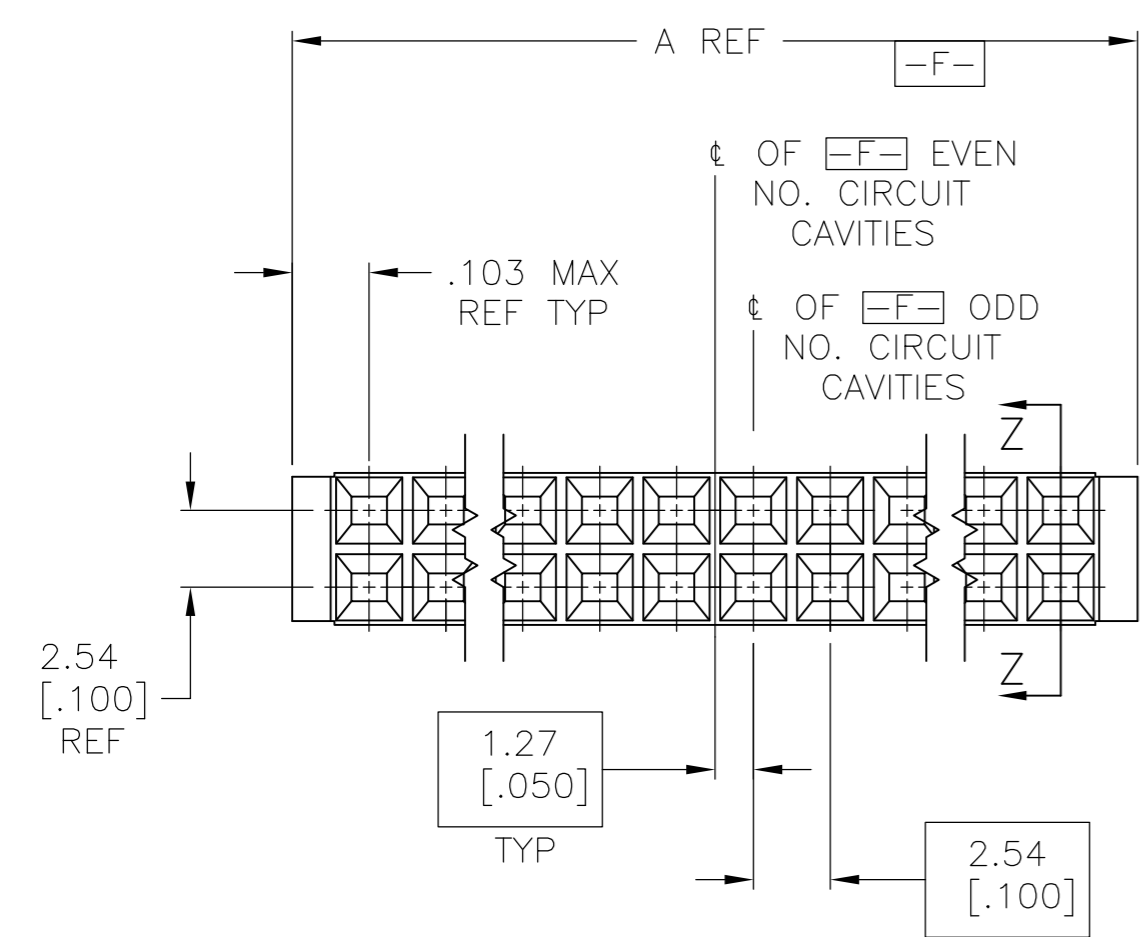


RECOMMENDED MOUNTING HOLE LAYOUT



SECTION Z-Z SCALE 8:1

SECTION Z-Z ALTERNATE SCALE 8:1



THIS DRAWING IS A CONTROLLED DOCUMENT.		DWN K.L.CLOUSER/UTA 1/31/91	Tyco Electronics Corporation Harrisburg, Pa 17105-3608
DIMENSIONS: mm [INCHES]		CHK R BENDORF 5/22/91	
TOLERANCES UNLESS OTHERWISE SPECIFIED:		APVD R BENDORF 5/22/91	NAME RECEPTACLE ASSY, MOD IV, DBL ROW, 2.54 X 2.54 [.100 X .100] C/L, 2.54 [.100] POINT-OF -CONTACT, TOP ENTRY, VERTICAL MOUNT
0 PLC ± - 1 PLC ± - 2 PLC ± - 3 PLC ± - 4 PLC ± - ANGLES ± -		PRODUCT SPEC APPLICATION SPEC	SIZE A2
MATERIAL HOUSING : 2 CONTACT : 3		FINISH 4 7	CAGE CODE 00779
		WEIGHT -	DRAWING NO C=533015
		CUSTOMER DRAWING	
		SCALE 4:1	SHEET 1 OF 2
		REV G1	RESTRICTED TO -

THIS DRAWING IS UNPUBLISHED. RELEASED FOR PUBLICATION
 © COPYRIGHT BY TYCO ELECTRONICS CORPORATION. ALL RIGHTS RESERVED.

LOC	DIST	REVISIONS			
P	LTR	DESCRIPTION	DATE	DWN	APVD
AD	00	SEE SHEET 1	-	-	-

- △1 TYCO LOGO AND CSA LOGO ARE MOLDED INTO THE HOUSING
- △2 HOUSING: FLAME RETARDANT THERMOPLASTIC; COLOR: BLACK.
- △3 CONTACT: PHOSPHOR BRONZE.
- △4 CONTACT FINISH: DUPLEX PLATED 0.000762 [.000030] GOLD IN CONTACT AREA, 0.00381-0.00762 [.000150-.000300] BRIGHT TIN-LEAD ON SOLDER LEADS, ALL OVER 0.00127 [.000050] MINIMUM NICKEL.
- △5 THESE DIMENSIONS PERTAIN TO CAVITY C/L 'S ONLY, NOT TO CONTACT LOCATIONS.
- △6 POINT OF MEASUREMENT FOR PLATING THICKNESS (INSIDE CONTACT BEAMS).
- △7 CONTACT FINISH: DUPLEX PLATED 0.000762 [.000030] GOLD IN CONTACT AREA, 0.00381-0.00762 [.000150-.000300] MATTE TIN ON SOLDER LEADS, ALL OVER 0.00127 [.000050] MINIMUM NICKEL.
- △8 ROHS 2002/95/EC COMPLIANT
- △9 PART NUMBER AND DATE CODE ARE MARKED IN APPROXIMATE LOCATION SHOWN
- △10 OBSOLETE PARTS: OBSOLETE CIS STREAMLINING PER D.RENAUD/D.SINISI

OBSOLETE	△7	38.10 [1.500]	43.18 [1.700]	32	△8	5-533015-9
	△7	35.56 [1.400]	40.64 [1.600]	30	△8	5-533015-8
	△7	33.02 [1.300]	38.10 [1.500]	28	△8	5-533015-7
	△7	30.48 [1.200]	35.56 [1.400]	26	△8	5-533015-6
	△7	25.40 [1.000]	30.48 [1.200]	22	△8	5-533015-5
	△7	22.86 [.900]	27.94 [1.100]	20	△8	5-533015-4
	△7	17.78 [.700]	22.84 [.900]	16	△8	5-533015-3
	△7	10.16 [.400]	15.24 [.600]	10	△8	5-533015-2
	△7	7.62 [.300]	12.70 [.500]	8	△8	5-533015-1
	△10	OBSOLETE	△4	38.10 [1.500]	43.18 [1.700]	32
		△4	35.56 [1.400]	40.64 [1.600]	30	533015-8
		△4	33.02 [1.300]	38.10 [1.500]	28	533015-7
△10	OBSOLETE	△4	30.48 [1.200]	35.56 [1.400]	26	533015-6
△10	OBSOLETE	△4	25.40 [1.000]	30.48 [1.200]	22	533015-5
△10	OBSOLETE	△4	22.86 [.900]	27.94 [1.100]	20	533015-4
		△4	17.78 [.700]	22.84 [.900]	16	533015-3
		△4	10.16 [.400]	15.24 [.600]	10	533015-2
△10	OBSOLETE	△4	7.62 [.300]	12.70 [.500]	8	533015-1
	FINISH	B	A	NO OF POSN	PART NUMBER	

THIS DRAWING IS A CONTROLLED DOCUMENT.		DWN K.L.CLOUSER/UTA 1/31/91	Tyco Electronics Corporation Harrisburg, Pa 17105-3608	
DIMENSIONS: mm [INCHES]		CHK R BENDORF 5/22/91	NAME RECEPTACLE ASSY, MOD IV, DBL ROW, 2.54 X 2.54 [.100 X .100] C/L, 2.54 [.100] POINT-OF -CONTACT, TOP ENTRY, VERTICAL MOUNT	
TOLERANCES UNLESS OTHERWISE SPECIFIED: 0 PLC ± - 1 PLC ± - 2 PLC ± - 3 PLC ± - 4 PLC ± - ANGLES ± -		APVD R BENDORF 5/22/91	PRODUCT SPEC -	
MATERIAL		APPLICATION SPEC -	SIZE A2	CAGE CODE 00779
FINISH		WEIGHT -	DRAWING NO C=533015	RESTRICTED TO -
CUSTOMER DRAWING		SCALE 1:1	SHEET 2	OF 2
		REV G1		