



Chipsmall Limited consists of a professional team with an average of over 10 year of expertise in the distribution of electronic components. Based in Hongkong, we have already established firm and mutual-benefit business relationships with customers from,Europe,America and south Asia,supplying obsolete and hard-to-find components to meet their specific needs.

With the principle of “Quality Parts,Customers Priority,Honest Operation,and Considerate Service”,our business mainly focus on the distribution of electronic components. Line cards we deal with include Microchip,ALPS,ROHM,Xilinx,Pulse,ON,Everlight and Freescale. Main products comprise IC,Modules,Potentiometer,IC Socket,Relay,Connector.Our parts cover such applications as commercial,industrial, and automotives areas.

We are looking forward to setting up business relationship with you and hope to provide you with the best service and solution. Let us make a better world for our industry!



Contact us

Tel: +86-755-8981 8866 Fax: +86-755-8427 6832

Email & Skype: info@chipsmall.com Web: www.chipsmall.com

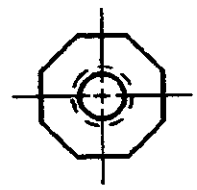
Address: A1208, Overseas Decoration Building, #122 Zhenhua RD., Futian, Shenzhen, China



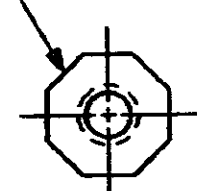
DRAWING MADE IN THIRD ANGLE PROJECTION

THIS DRAWING IS UNPUBLISHED. RELEASED FOR PUBLICATION, 19...
BY AMP INCORPORATED. ALL INTERNATIONAL RIGHTS RESERVED.

LOC		DIST		REVISIONS				DATE	APPD
AD	25	P	F	ZONE	LTR	DESCRIPTION			
		✓	✓		F	ECN AD4218	05/03/90	RKS	



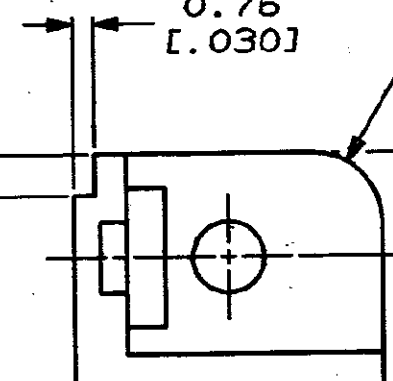
#2-56 OCTAGONAL NUT
QUANTITY = 2
MATERIAL: PASSIVATED STAINLESS STEEL



1.52
[.060]

0.76
[.030]

LEFT HAND MOUNTING EAR
QUANTITY = 1
MATERIAL: THERMOPLASTIC



3.81
[.150]

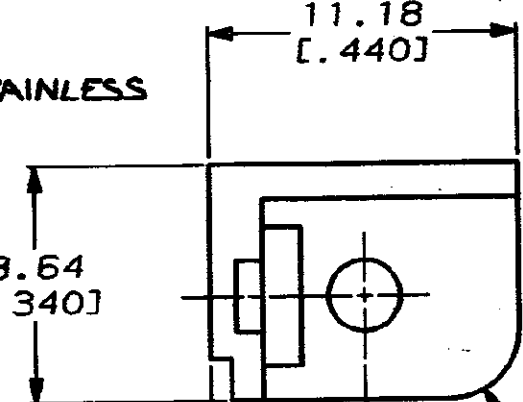


#2-56 BUTTON HEAD CAP SCREW
0.95 ^{+0.00} _{-0.08} [0.375 ^{+0.000} _{-.030}] LONG
QUANTITY = 2
MATERIAL: PASSIVATED STAINLESS STEEL

8.64
[.340]

11.18
[.440]

1.27
[.050]



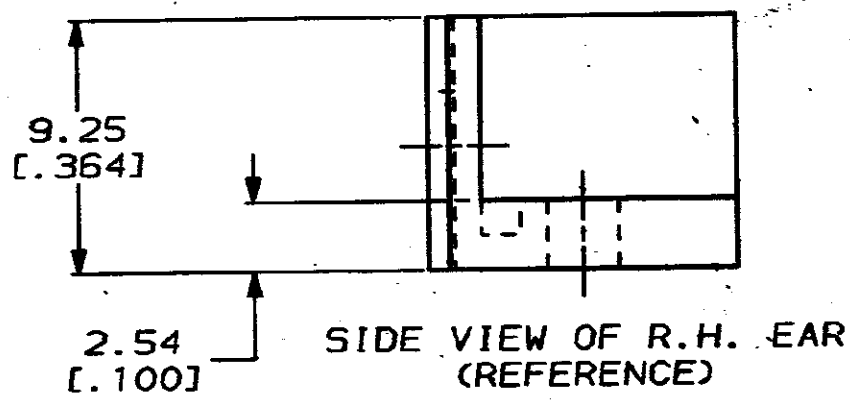
RIGHT HAND MOUNTING EAR
QUANTITY = 1
MATERIAL: THERMOPLASTIC

5.59
[.220]

533050-1: IS AS SHOWN.

533050-2: CONTAINS MOUNTING EARS ONLY (NO HARDWARE).

METRIC



DO NOT SCALE PRINT. UNLESS SPECIFIED DIMENSIONS IN INCHES TOLERANCES ON: 2 PLC DEC ± - 3 PLC DEC ± 0.013 [.005] ANGLES ± -		DR 05/03/90 R.K. SEIFRIED	PART NO	
MATERIAL -	CHK <i>Rubio</i> 126-90	AMP INCORPORATED Harrisburg, Pa. 17105		
FINISH -	APPD -	NAME HDI, 3 & 4 ROW, MOUNTING EAR KIT		
	APPD -	SIZE B	CAGE CODE 00779	
	PRODUCT SPEC -	DRAWING NO 533050		
	APPLICATION SPEC -	SCALE 4:1	SHEET 1 OF 1	
	WEIGHT -			

AMP 1470-15 REV 6-89

30 MAY 1990 15-05-05 5616

CUSTOMER DRAWING