



Chipsmall Limited consists of a professional team with an average of over 10 year of expertise in the distribution of electronic components. Based in Hongkong, we have already established firm and mutual-benefit business relationships with customers from,Europe,America and south Asia,supplying obsolete and hard-to-find components to meet their specific needs.

With the principle of “Quality Parts,Customers Priority,Honest Operation,and Considerate Service”,our business mainly focus on the distribution of electronic components. Line cards we deal with include Microchip,ALPS,ROHM,Xilinx,Pulse,ON,Everlight and Freescale. Main products comprise IC,Modules,Potentiometer,IC Socket,Relay,Connector.Our parts cover such applications as commercial,industrial, and automotives areas.

We are looking forward to setting up business relationship with you and hope to provide you with the best service and solution. Let us make a better world for our industry!



Contact us

Tel: +86-755-8981 8866 Fax: +86-755-8427 6832

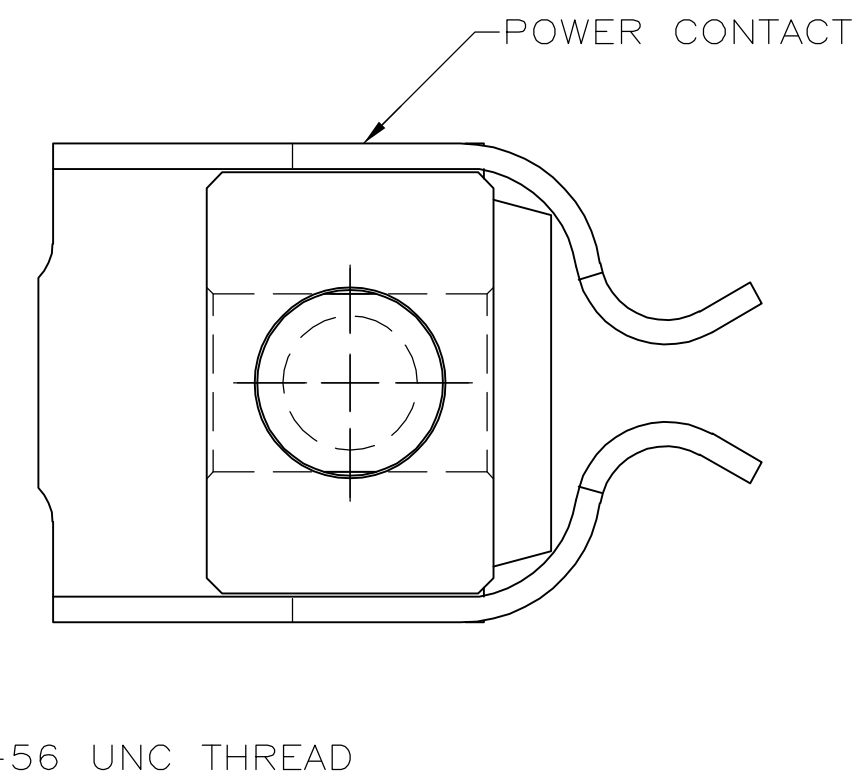
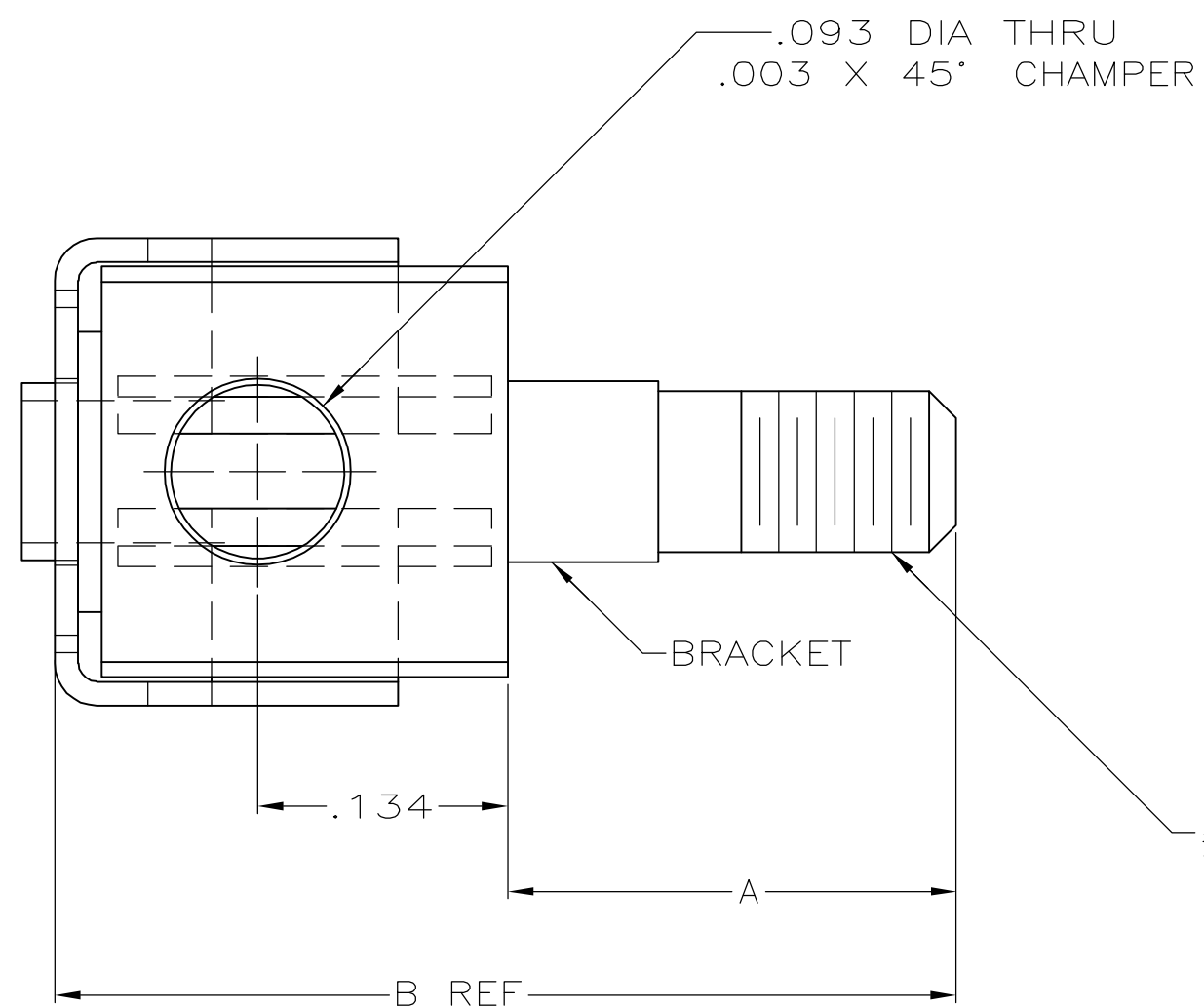
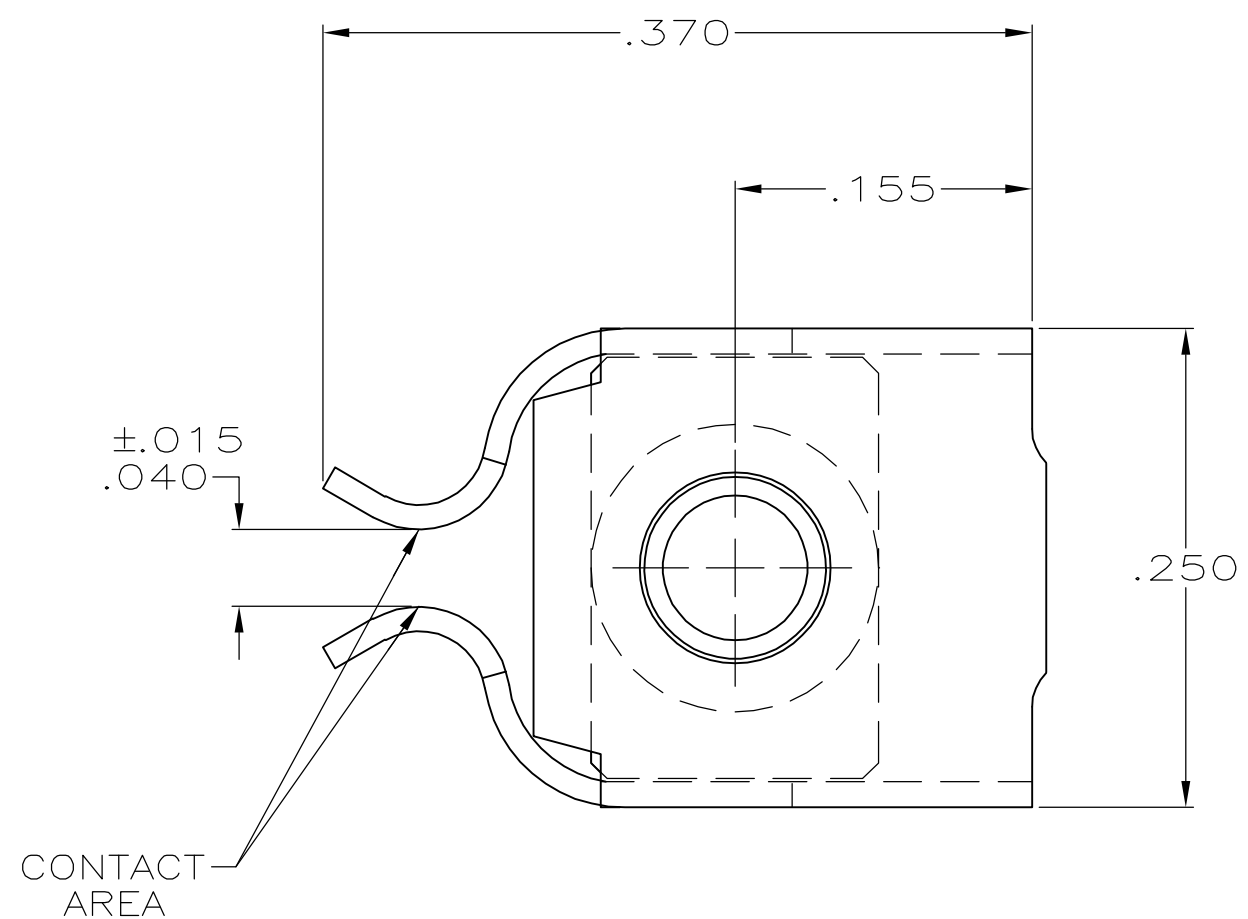
Email & Skype: info@chipsmall.com Web: www.chipsmall.com

Address: A1208, Overseas Decoration Building, #122 Zhenhua RD., Futian, Shenzhen, China



THIS DRAWING IS UNPUBLISHED. RELEASED FOR PUBLICATION
 © COPYRIGHT BY TYCO ELECTRONICS CORPORATION. ALL RIGHTS RESERVED.

LOC	DIST	REVISIONS			
P	LTR	DESCRIPTION	DATE	DWN	APVD
AD	25	G	REVISED PER EC 0512-0552-04	29SEP05	JDP DD



	.438	.185	△3	533065-7
	.478	.225	△3	533065-6
OBSOLETE	.565	.312	△3	533065-5
	.543	.290	△3	533065-4
	-	-	-	-
OBSOLETE	.678	.425	△4	533065-2
OBSOLETE	.678	.425	△3	533065-1
	B	A	FINISH	PART NO

- △1 CONTACT MATERIAL: PHOSPHOR BRONZE.
- △2 BRACKET MATERIAL: BRASS.
- △3 FINISH: .000050 -.000100 NICKEL UNDERPLATE ALL OVER, .000030 GOLD IN CONTACT AREA, GOLD FLASH ON REMAINDER.
- △4 FINISH: .000050 -.000100 NICKEL UNDERPLATE ALL OVER, .000050 GOLD IN CONTACT AREA, GOLD FLASH ON REMAINDER.

THIS DRAWING IS A CONTROLLED DOCUMENT.

DWN	DAVID LEE HOFFMAN	12/11/89		Tyco Electronics Corporation	
CHK	G. SKIPPER	1-31-94		Harrisburg, PA 17105-3608	
APVD	-	-	NAME	AMP-HDI SERIES 100 GUIDE PIN POWER CONTACT ASSEMBLY, FOR CENTER GUIDE	
PRODUCT SPEC	-	-	SIZE	CAGE CODE	DRAWING NO
APPLICATION SPEC	-	-	A2	00779	C=533065
MATERIAL	△1 △2	△3	WEIGHT	-	RESTRICTED TO
CUSTOMER DRAWING			SCALE	10:1	SHEET 1 of 1
			REV	G	