



Chipsmall Limited consists of a professional team with an average of over 10 year of expertise in the distribution of electronic components. Based in Hongkong, we have already established firm and mutual-benefit business relationships with customers from,Europe,America and south Asia,supplying obsolete and hard-to-find components to meet their specific needs.

With the principle of "Quality Parts,Customers Priority,Honest Operation,and Considerate Service",our business mainly focus on the distribution of electronic components. Line cards we deal with include Microchip,ALPS,ROHM,Xilinx,Pulse,ON,Everlight and Freescale. Main products comprise IC,Modules,Potentiometer,IC Socket,Relay,Connector.Our parts cover such applications as commercial,industrial, and automotives areas.

We are looking forward to setting up business relationship with you and hope to provide you with the best service and solution. Let us make a better world for our industry!



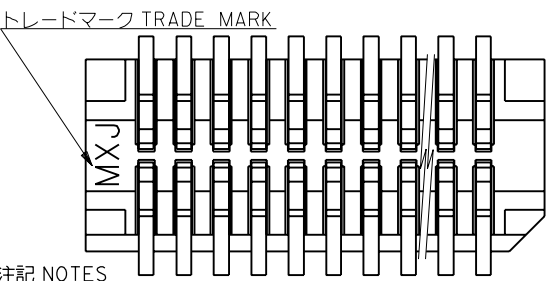
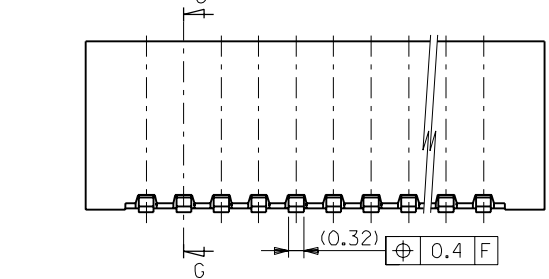
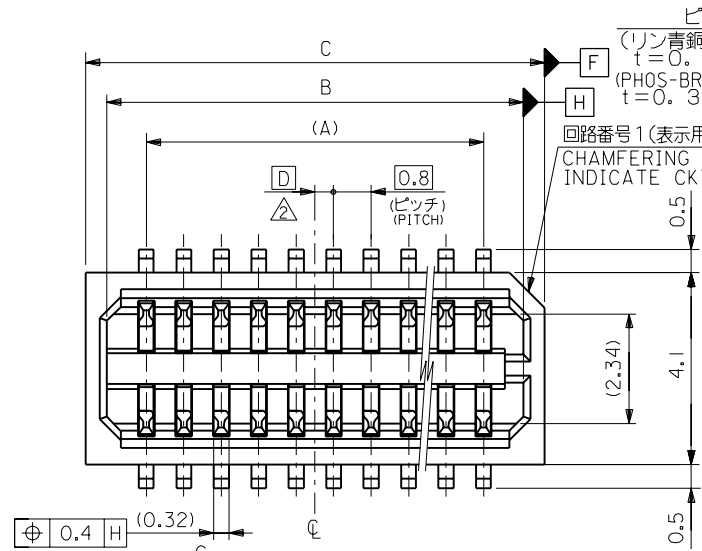
## Contact us

Tel: +86-755-8981 8866 Fax: +86-755-8427 6832

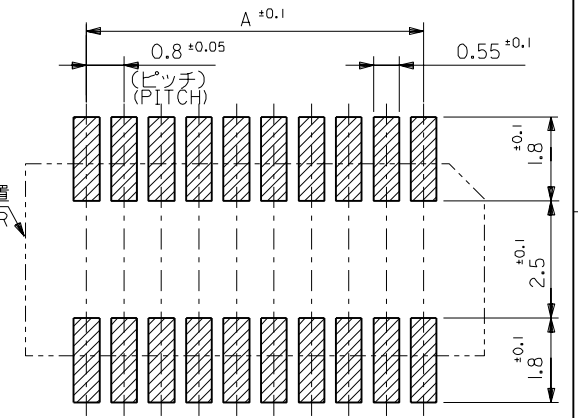
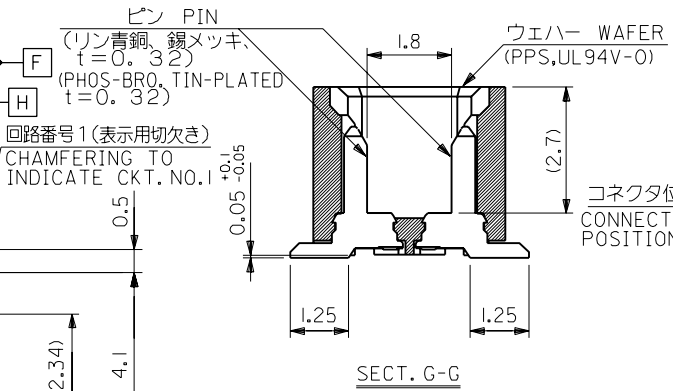
Email & Skype: info@chipsmall.com Web: www.chipsmall.com

Address: A1208, Overseas Decoration Building, #122 Zhenhua RD., Futian, Shenzhen, China





注記 NOTES  
 1. 嵌合相手: 52465,52588  
 MATE WITH: 52465,52588 SERIES  
 △ ウエハーの  $\phi$  から隣接するピンの  $\phi$  迄の位置を示す。  
 SHOW POSITION FROM  $\phi$  OF WAFER TO  $\phi$  OF ADJACENT PINS.



参考基板レイアウト (マウント面)  
 P.C.B. PATTERN LAYOUT (REF.) (MOUNT AREA)

0.4	17.8	16.9	15.2	53307-4027	40
0.4	16.2	15.3	13.6	-3627	36
0.8	15.4	14.5	12.8	-3427	34
0.8	13.8	12.9	11.2	-3027	30
0.4	13.0	12.1	10.4	-2827	28
0.8	12.2	11.3	9.6	-2627	26
0.4	11.4	10.5	8.8	-2427	24
0.8	10.6	9.7	8.0	-2227	22
0.4	9.8	8.9	7.2	-2027	20
0.8	9.0	8.1	6.4	-1827	18
0.4	8.2	7.3	5.6	-1627	16
0.8	7.4	6.5	4.8	-1427	14
0.4	6.6	5.7	4.0	-1227	12
0.8	5.8	4.9	3.2	53307-1027	10
D	C	B	A	ENG. NO.	極数 CKT.

角度 ANGLE	±3°				
30以上 OVER	+0.3	B	変更 REVISION (JCT0882)	97/4/1	
10以上 30未満 UNDER	+0.25	A	変更 REVISION (JC60094)	95/8/9	
10未満 UNDER	+0.2	O	新規作成 PROPOSED (J1100)	91/11/16	
一般公差 GENERAL TOLERANCES		記号 LTR	変更内容 REVISION RECORD	DR. DATE	日付 DATE

材料 MATERIAL	☑中参照 SEE DRAWING
仕上げ FINISH	—
適用電線範囲 WIRE RANGE	—
被覆外径 INS. RANGE	—
DRAWN BY '91/11/14	CHK'D BY '97/4/1
K.ASAKAWA	Y.MIZUNO
APP'D BY '97/4/1	尺 寸 尺 度
M.FUKUSHIMA	—

**molex** MOLEX-JAPAN CO.,LTD.  
 日本モレックス株式会社

REVISE ONLY ON CAD SYSTEM

TITLE 名称  
 0.8 BOARD TO BOARD CONN.  
 WAFER ASS'Y ST. SMT  
 (WITHOUT BOSS)

DWG. NO. (SHEET 1 OF 2) REV  
 SD-53307-\*\*-27 B

DWG. NO. SD-53307-\*\*\*27

E

D

C

B

A

MM DIMENSIONS IN METRIC DO NOT SCALE DRAWING

8 7 6 5 4 3 2 1

F

E

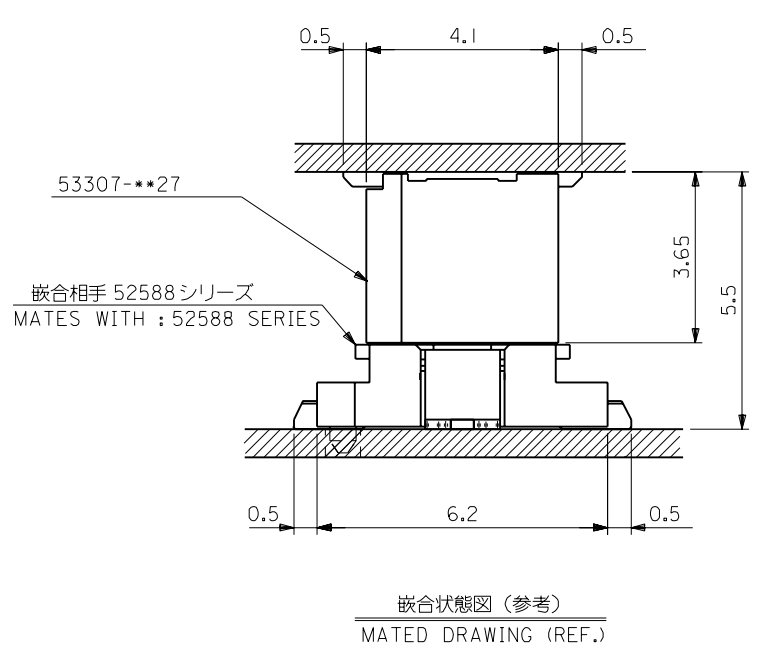
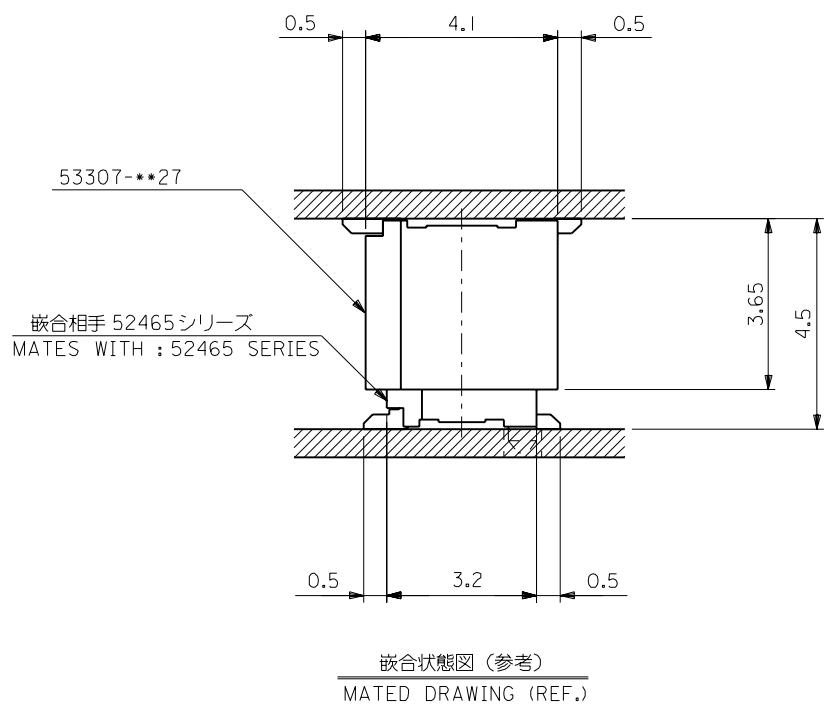
D

C

B

A

A53307.S10



角度 ANGLE		13°				材料 MATERIAL	MOLEX-JAPAN CO.,LTD. 日本モレックス株式会社	
30°以上 OVER	+0.3	B	変更 REVISD (JCT0882)	N.A.	97/4/1	SHEET 1 OF 2 参照 REFER TO SHEET 1 OF 2	REVISE ONLY ON CAD SYSTEM	
10°以上 30° UNDER	-0.25	A	変更 REVISD (JC60094)	N.A.	95/8/9	仕上げ FINISH	TITLE 名称	
10° UNDER	+0.2	O	新規作成 PROPOSED (J11001)	N.A.	97/11/16	適用電線範囲 WIRE RANGE	0.8 BOARD TO BOARD CONN. WAFER ASS'Y ST. SMT (WITHOUT BOSS)	
一般公差 GENERAL TOLERANCES		記号 LTR	変更内容 REVISION RECORD	DR. CHR.	日付 DATE	被覆外径 INS. RANGE	DRAWN BY '97/11/14 K.ASAKAWA	
							CHK'D BY '97/4/1 Y.MIZUNO	
							DWG. NO. (SHEET 2 OF 2) REV B	
							SD-53307-***27	
							尺 度 SCALE	

THIS DRAWING CONTAINS INFORMATION THAT IS PROPRIETARY TO MOLEX(JAPAN) AND SHOULD NOT BE USED WITHOUT WRITTEN PERMISSION  
 本図面は日本モレックス(株)の所有する情報を含むもので 当社の許可なく複製を禁止する。  
 EN-01C(032)MXJ-32

8 7 6 5 4 3 2 1

DWG. NO.  
SD-53307-\*\*\*9I

E

D

C

B

A

MM DIMENSIONS IN METRIC DO NOT SCALE DRAWING

8

7

6

5

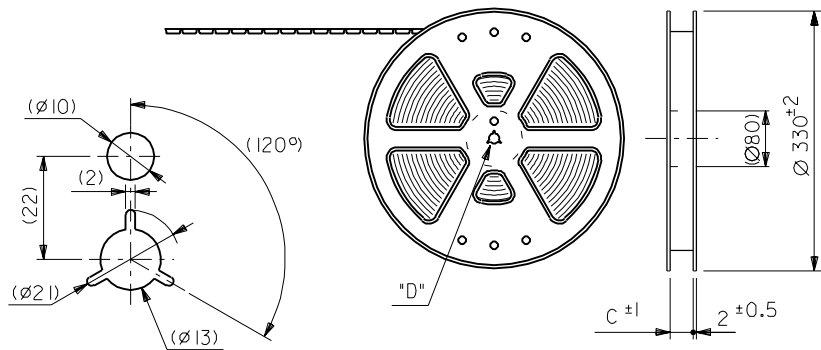
4

3

2

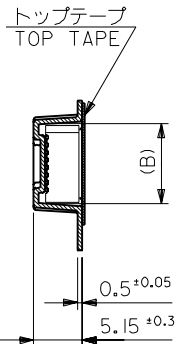
1

引き出し方向  
PULL OUT DIRECTION

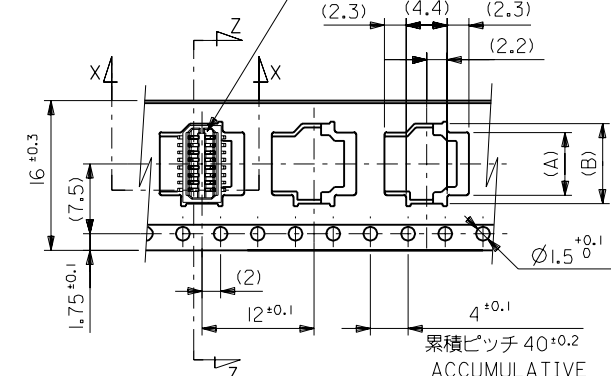


DETAIL "D"

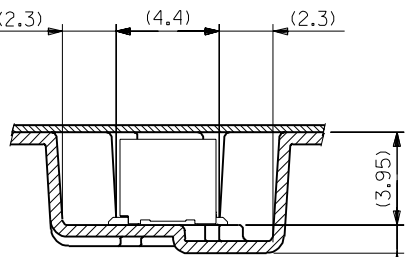
引き出し方向  
PULL OUT DIRECTION



SECT. Z-Z



16mm幅キャリアテープ  
16mm WIDTH CARRIER TAPE

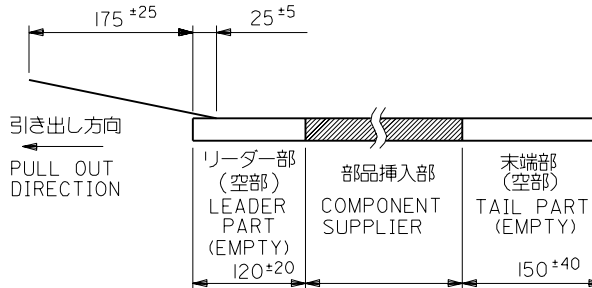


SECT. X-X  
(SCALE:5-1)

注記 NOTES

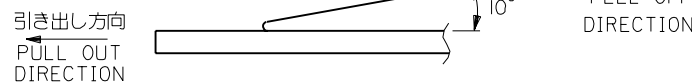
1. 梱包数量：1000個/リール NUMBER OF CONNECTORS:1000PCS/REEL
2. リードテープ長さ LEAD TAPE LENGTH

トップテープ リーダー部 TOP TAPE LEADER PART  
トップテープ 未接着部 TOP TAPE NON-BONDED PART



3. トップテープの剥離強度：(剥離方向は下図参照)  
0.1N~0.7N(10.2gf~71.4gf)尚、本規格値は、出荷時に適用。  
(但し、輸送時に剥離が発生しない事。)

PEELING OFF FORCE OF TOP TAPE  
0.1N~0.7N(10.2gf~71.4gf)(PEELING DIRECTION AS SHOWN IN FOLLOWING FIG.)  
THIS REQUIREMENT SHOULD BE APPLIED AT SHIPMENT  
PEEL OFF SHOULD NOT BE ALLOWED,  
DURING TRANSPORTATION



4. 材料  
キャリアテープ：ポリプロピレン (PP)  
トップテープ：PET, PE, PEF  
リール：ポリスチレン (PS)  
<リサイクル材を含む>

MATERIAL  
CARRIER TAPE:POLYPROPYLENE  
TOP TAPE:PET,PE,PEF  
REEL:POLYSTYREN(PS)  
<RECYCLE MATERIAL CONTAINED>

16	17.5	9.3	7.5	53307-1891	18	
		8.5	6.7	53307-1691	16	
		7.7	5.9	53307-1491	14	
		6.9	5.1	53307-1291	12	
		6.1	4.3	53307-1091	10	
キャリアテープ幅 CARRIER TAPE WIDTH		C	(B)	(A)	ENG. NO.	極数 CIRCUIT

材料 MATERIAL	注記参照 SEE NOTES	molex MOLEX-JAPAN CO.,LTD. 日本モレックス株式会社	
仕上げ FINISH	---	REVISE ONLY ON CAD SYSTEM	
適用電線範囲 WIRE RANGE	---	TITLE 名称	
被覆外径 INS. RANGE	---	0.8 B-To-B WAFER Assy SMT Embstp Pkg	
DRAWN BY 91/11/22 K.ASAKAWA	CHK'D BY 00/12/20 T.ITO	DWG. NO. (SHEET 1 OF 2) REV	
APP'D BY 00/12/20 M.FUKUSHIMA	尺度 SCALE ---	SD-53307-***9I B	
角度 ANGLE	±3°		
30°以上 OVER	+0.3	B	変更 REVISED (JC2001-0479)
10°以上 30° UNDER	+0.25	A	変更 REVISED (JC70882)
10° UNDER	+0.2	O	新規作成 PROPOSED (J11065)
一般公差 GENERAL TOLERANCES	記号 LTR	変更内容 REVISION RECORD	DR. 日付 CHK. DATE

THIS DRAWING CONTAINS INFORMATION THAT IS PROPRIETARY TO MOLEX(JAPAN) AND SHOULD NOT BE USED WITHOUT WRITTEN PERMISSION  
本図面は日本モレックス(株)の所有する情報を含むもので 当社の許可なく複製を禁止する。

EN-01C(032)MXJ-32

8

7

6

5

4

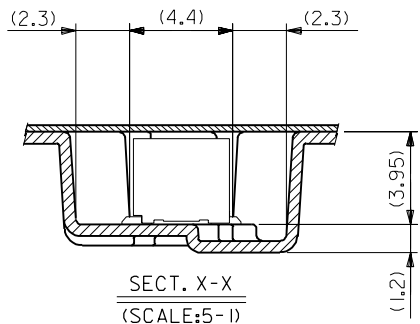
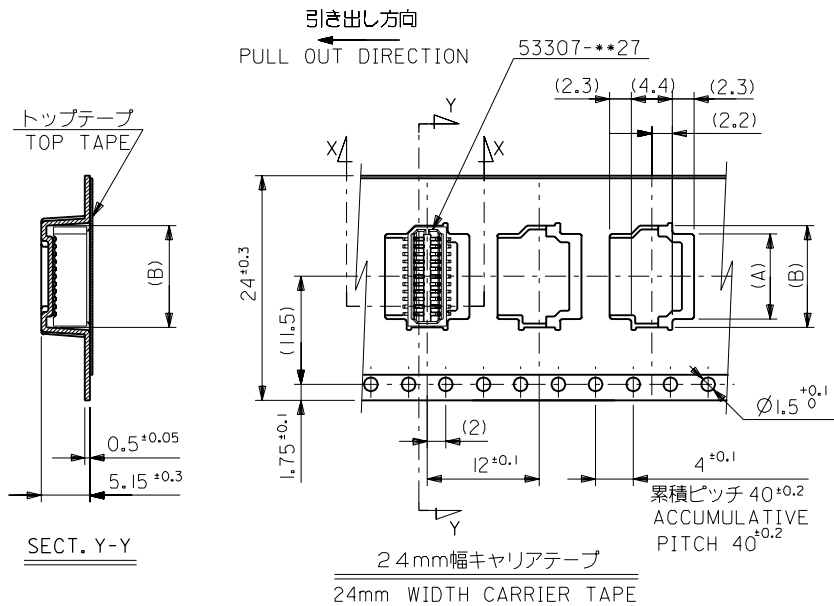
3

2

1

5949924A.S05

DWG. NO.  
SD-53307-\*\*-91



24	25.5	14.1	12.3	53307-3091	30
		13.3	11.5	53307-2891	28
		12.5	10.7	53307-2691	26
		11.7	9.9	53307-2491	24
		10.9	9.1	53307-2291	22
		10.1	8.3	53307-2091	20
キャリアテープ幅 CARRIER TAPE WIDTH	C	(B)	(A)	ENG. NO.	極数 CIRCUIT

材料 MATERIAL		SHEET 1 OF 2参照 REFER TO SHEET 1 OF 2		molex MOLEX-JAPAN CO.,LTD. 日本モレックス株式会社	
仕上げ FINISH		//		REVISE ONLY ON CAD SYSTEM	
適用電線範囲 WIRE RANGE		//		TITLE 名称 0.8 B-To-B WAFER Assy SMT Embstp Pkg	
被覆外径 INS. RANGE		//		DWG. NO. (SHEET 2 OF 2) REV	
DRAWN BY '91/11/22 K.ASAKAWA		CHK'D BY '00/12/20 T.ITO		SD-53307-**-91	
APP'D BY '00/12/20 M.FUKUSHIMA		尺 SCALE		B	
角度 ANGLE	±3°	記号 LTR	変更内容 REVISION RECORD	DR. CHR.	日付 DATE
30°以上 OVER	+0.3	B	変更 (JC2001) REVISED (-0479)	Y.A.	'00/12/20
10°以上 30°未満 OVER UNDER	+0.25	A	変更 (JC70882) REVISED	Y.A.	'97/4/1
10°未満 UNDER	+0.2	O	新規作成 (J11065) PROPOSED	Y.A.	'91/11/22
一般公差 GENERAL TOLERANCES					

THIS DRAWING CONTAINS INFORMATION THAT IS PROPRIETARY TO MOLEX(JAPAN) AND SHOULD NOT BE USED WITHOUT WRITTEN PERMISSION  
本図面は日本モレックス(株)の所有する情報を含むもので 当社の許可なく複製を禁止する。

EN-OIC(032)MXJ-32

DIMENSIONS IN METRIC DO NOT SCALE DRAWING

5949924A.S06