



Chipsmall Limited consists of a professional team with an average of over 10 year of expertise in the distribution of electronic components. Based in Hongkong, we have already established firm and mutual-benefit business relationships with customers from,Europe,America and south Asia,supplying obsolete and hard-to-find components to meet their specific needs.

With the principle of “Quality Parts,Customers Priority,Honest Operation,and Considerate Service”,our business mainly focus on the distribution of electronic components. Line cards we deal with include Microchip,ALPS,ROHM,Xilinx,Pulse,ON,Everlight and Freescale. Main products comprise IC,Modules,Potentiometer,IC Socket,Relay,Connector.Our parts cover such applications as commercial,industrial, and automotives areas.

We are looking forward to setting up business relationship with you and hope to provide you with the best service and solution. Let us make a better world for our industry!



## Contact us

Tel: +86-755-8981 8866 Fax: +86-755-8427 6832

Email & Skype: info@chipsmall.com Web: www.chipsmall.com

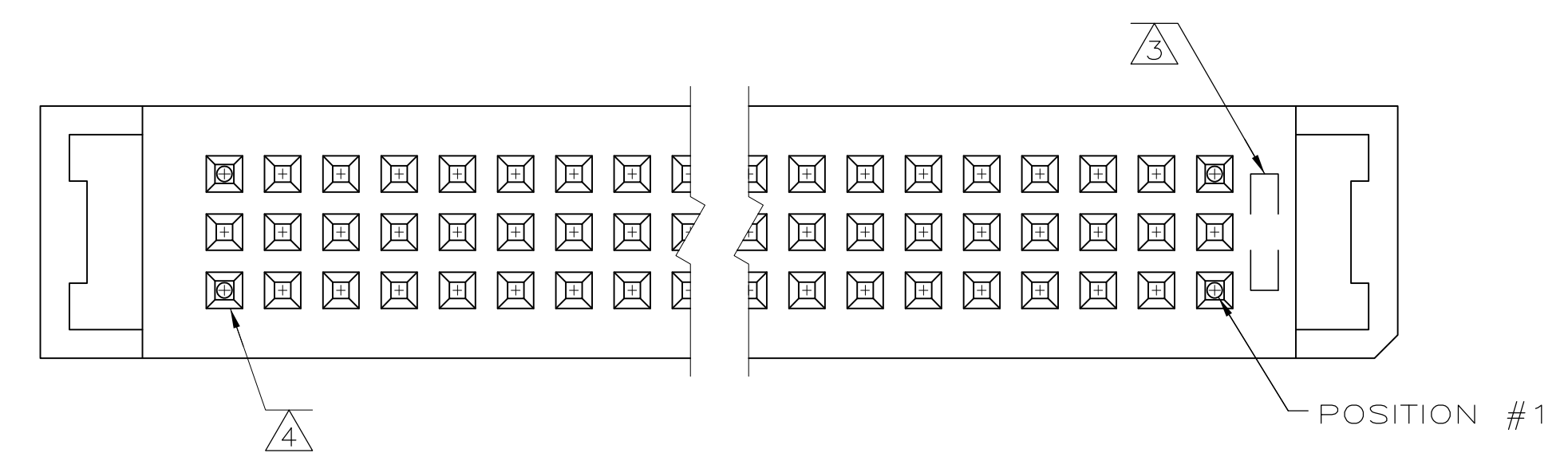
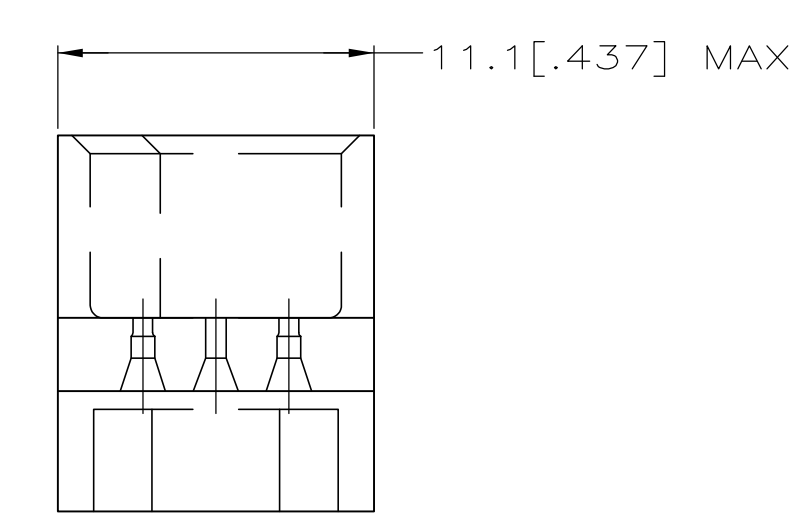
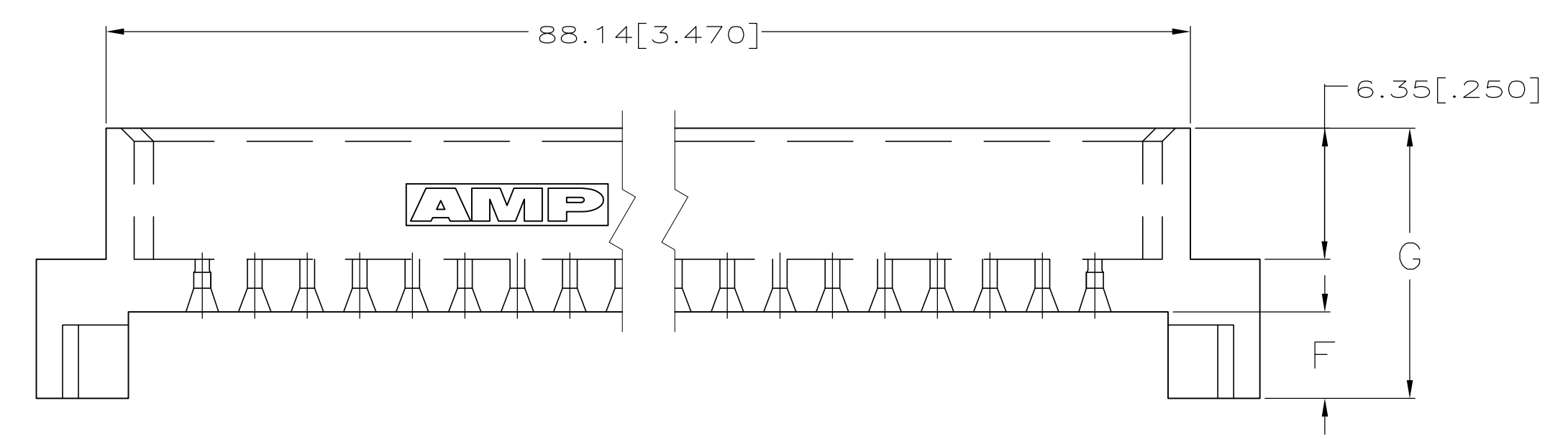
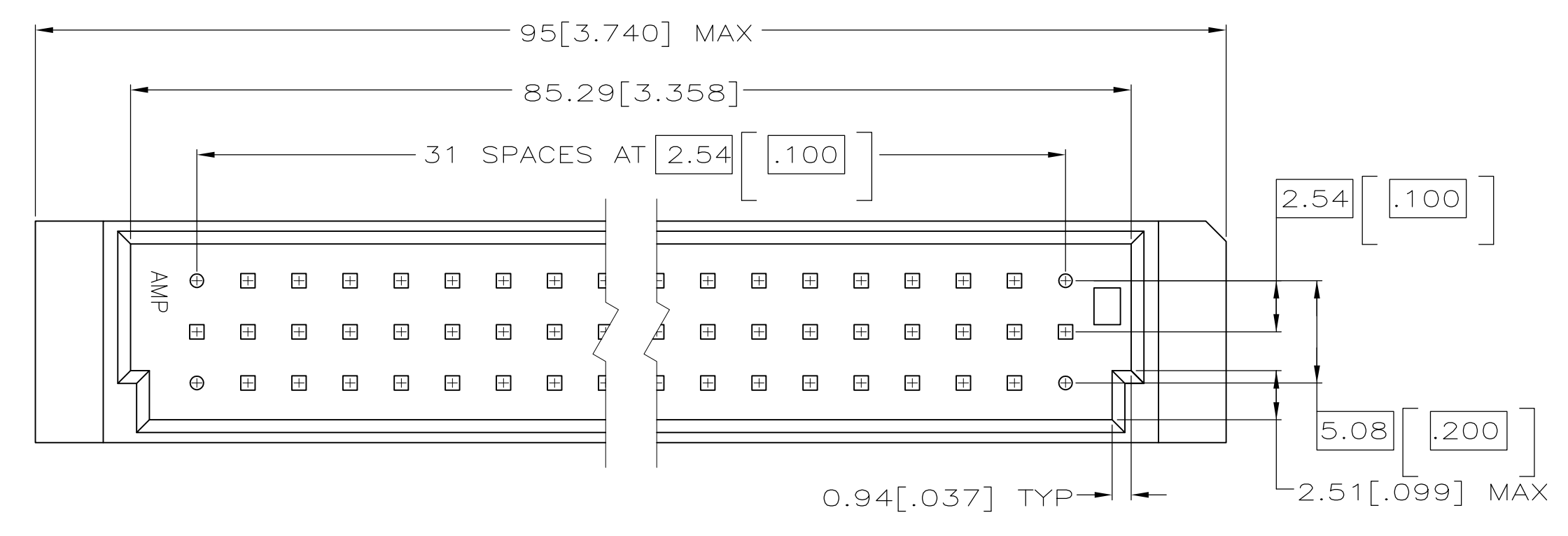
Address: A1208, Overseas Decoration Building, #122 Zhenhua RD., Futian, Shenzhen, China



THIS DRAWING IS UNPUBLISHED. RELEASED FOR PUBLICATION  
 © COPYRIGHT - By - ALL RIGHTS RESERVED.

LOC		DIST		REVISIONS			
P	LR	DESCRIPTION	DATE	OWN	APVD		
J1		REVISED PER ECO-11-004835	11MAR11	RK	HMR		

- ② MATERIAL: GLASS-FILLED POLYESTER. COLOR: GRAY.
- ③ AMP PART NUMBER MOLDED IN THIS APPROXIMATE AREA.
- ④ INTERFERENCE CAVITIES LOCATED AT POSITIONS 1,32 IN ROWS "A" AND "C".



OBSOLETE	17[.669]	3.94[.155]	14.48[.570]	5.59[.220]	1-533236-4
OBSOLETE	-	-	8.89[.350]	-	1-533236-3
OBSOLETE	18.62[.733]	1.57[.062]	18.42[.725]	9.53[.375]	1-533236-2
	17[.669]	1.57[.062]	16.89[.665]	8.00[.315]	1-533236-1
	13.23[.521]	1.57[.062]	13.08[.515]	4.19[.165]	1-533236-0
OBSOLETE	18.62[.733]	2.36[.093]	17.78[.700]	8.89[.350]	533236-9
	17[.669]	2.36[.093]	16.13[.635]	7.24[.285]	533236-8
	13.23[.521]	2.36[.093]	12.32[.485]	3.43[.135]	533236-7
SUPERSEDED BY 1-533236-1	18.62[.733]	3.18[.125]	16.89[.665]	8.00[.315]	533236-6
	17[.669]	3.18[.125]	15.24[.600]	6.35[.250]	533236-5
	13.23[.521]	3.18[.125]	11.43[.450]	2.54[.100]	533236-4
OBSOLETE	-	-	17.27[.680]	8.38[.330]	533236-3
OBSOLETE	-	-	15.24[.600]	6.35[.250]	533236-2
OBSOLETE	-	-	11.43[.450]	2.54[.100]	533236-1
	CONNECTOR TAIL LENGTH	PC BOARD THICKNESS	G	F	PART NUMBER

THIS DRAWING IS A CONTROLLED DOCUMENT.

DIMENSIONS: MM(INCHES)	TOOLERANCES UNLESS OTHERWISE SPECIFIED:	0 PLC ± -	1 PLC ± -	2 PLC ± -	3 PLC ± 0.13[.005]	4 PLC ± -	ANGLES ± -	FINISH -
------------------------	---	-----------	-----------	-----------	--------------------	-----------	------------	----------

MATERIAL: HSG: ②

OWNER: L. BRINER 12/9/91  
 DWR: R. PATTERSON 12/18/91  
 APVD: R. PATTERSON 12/18/91

NAME: SHROUD, EUROCARD WITH STANDOFFS

PRODUCT SPEC: -

APPLICATION SPEC: -

WEIGHT: -

SIZE: A1 00779

DRAWING NO: 533236

SCALE: 4:1

SHEET: 1 OF 1

REV: J1

CUSTOMER DRAWING