



Chipsmall Limited consists of a professional team with an average of over 10 year of expertise in the distribution of electronic components. Based in Hongkong, we have already established firm and mutual-benefit business relationships with customers from,Europe,America and south Asia,supplying obsolete and hard-to-find components to meet their specific needs.

With the principle of "Quality Parts,Customers Priority,Honest Operation,and Considerate Service",our business mainly focus on the distribution of electronic components. Line cards we deal with include Microchip,ALPS,ROHM,Xilinx,Pulse,ON,Everlight and Freescale. Main products comprise IC,Modules,Potentiometer,IC Socket,Relay,Connector.Our parts cover such applications as commercial,industrial, and automotives areas.

We are looking forward to setting up business relationship with you and hope to provide you with the best service and solution. Let us make a better world for our industry!



Contact us

Tel: +86-755-8981 8866 Fax: +86-755-8427 6832

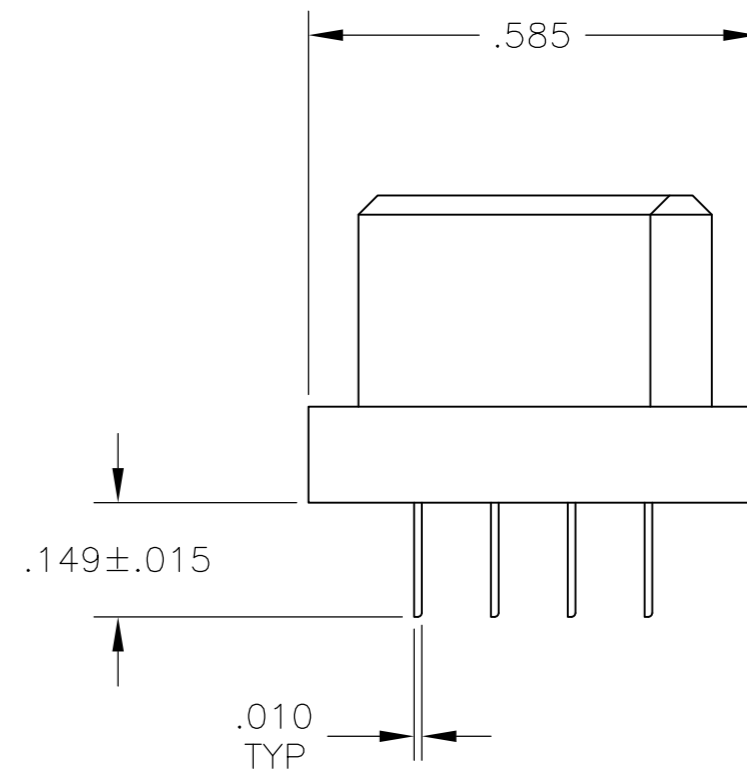
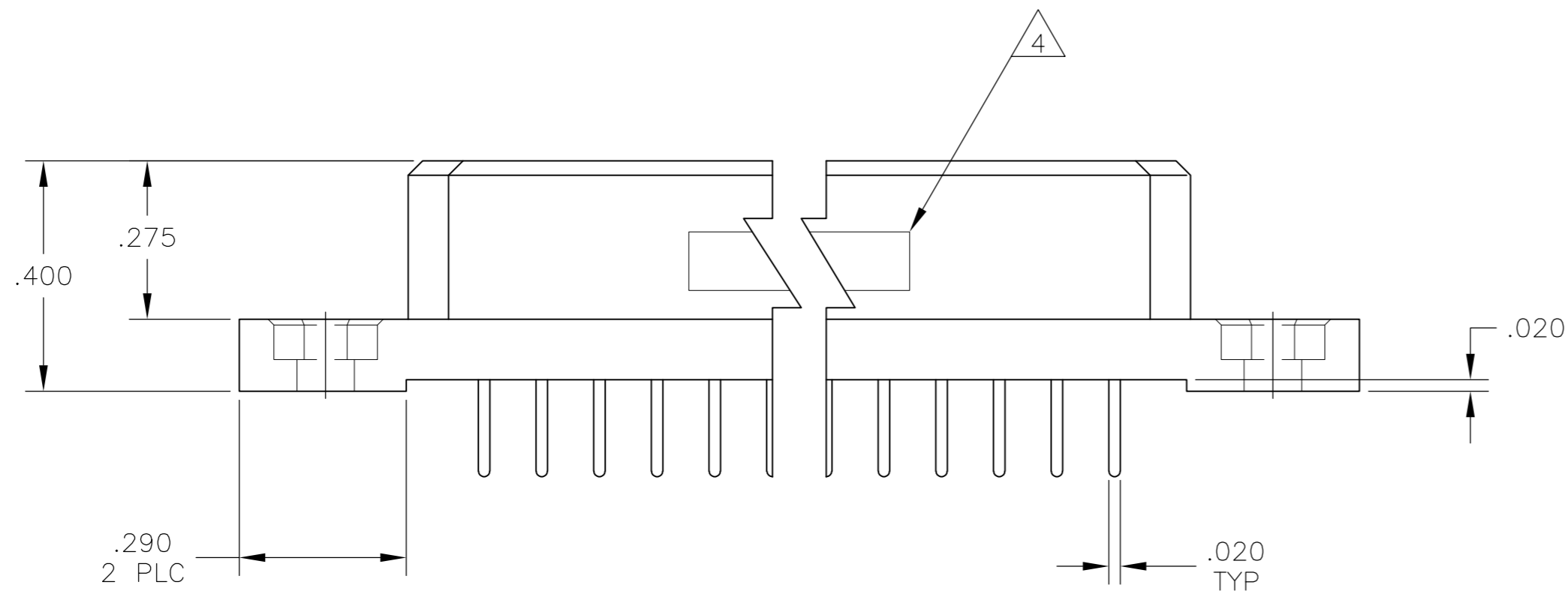
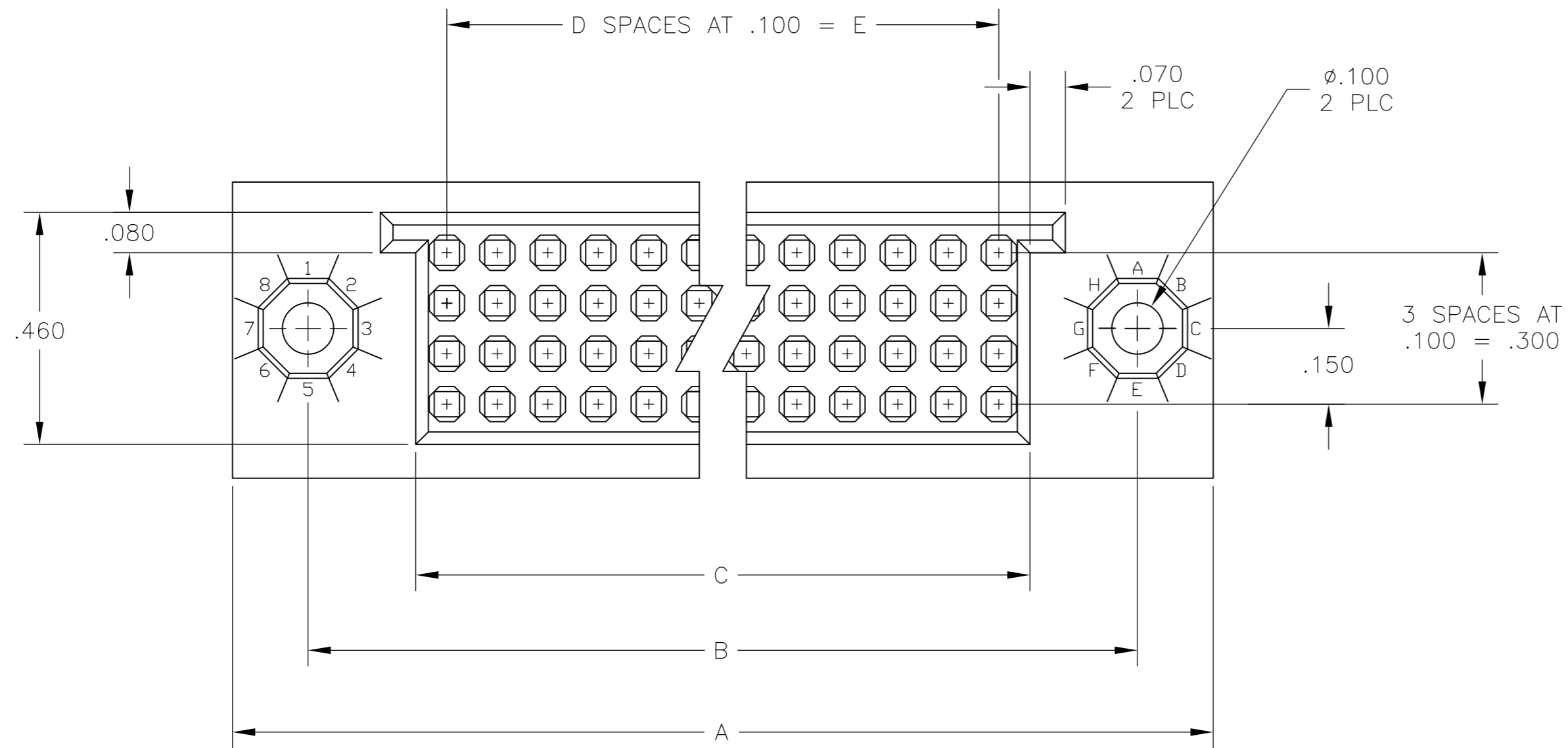
Email & Skype: info@chipsmall.com Web: www.chipsmall.com

Address: A1208, Overseas Decoration Building, #122 Zhenhua RD., Futian, Shenzhen, China



THIS DRAWING IS UNPUBLISHED. RELEASED FOR PUBLICATION - N/A -
 © COPYRIGHT N/A By - ALL RIGHTS RESERVED.

LOC		DIST		REVISIONS			
P	LTR	DESCRIPTION	DATE	DWN	APVD		
	S2	REVISED PER ECO-12-009804	22JUN12	PY	DM		



THIS DRAWING IS A CONTROLLED DOCUMENT.		DWN R. SEIFRIED 29-OCT-84																		
DIMENSIONS: INCHES		CHK L. CASTAGNA 29-OCT-84																		
TOLERANCES UNLESS OTHERWISE SPECIFIED:		APVD L. CASTAGNA 29-OCT-84																		
<table border="1"> <tr><td>0 PLC</td><td>±</td><td>-</td></tr> <tr><td>1 PLC</td><td>±</td><td>-</td></tr> <tr><td>2 PLC</td><td>±</td><td>-</td></tr> <tr><td>3 PLC</td><td>±</td><td>.005</td></tr> <tr><td>4 PLC</td><td>±</td><td>-</td></tr> <tr><td>ANGLES</td><td>±</td><td>-</td></tr> </table>		0 PLC			±	-	1 PLC	±	-	2 PLC	±	-	3 PLC	±	.005	4 PLC	±	-	ANGLES	±
0 PLC	±	-																		
1 PLC	±	-																		
2 PLC	±	-																		
3 PLC	±	.005																		
4 PLC	±	-																		
ANGLES	±	-																		
MATERIAL 1-2	FINISH - 3	APPLICATION SPEC -	NAME RECEPTACLE ASSEMBLY BOX II, 4-ROW W/.149 SOLDER TAILS	RESTRICTED TO -																
CUSTOMER DRAWING		WEIGHT -	SIZE A2	CAGE CODE 00779																
		SCALE 4:1	DRAWING NO C=533285	SHEET 1 of 2																
			REV S2																	

THIS DRAWING IS UNPUBLISHED. RELEASED FOR PUBLICATION - .N/A .
 © COPYRIGHT N/A By - ALL RIGHTS RESERVED.

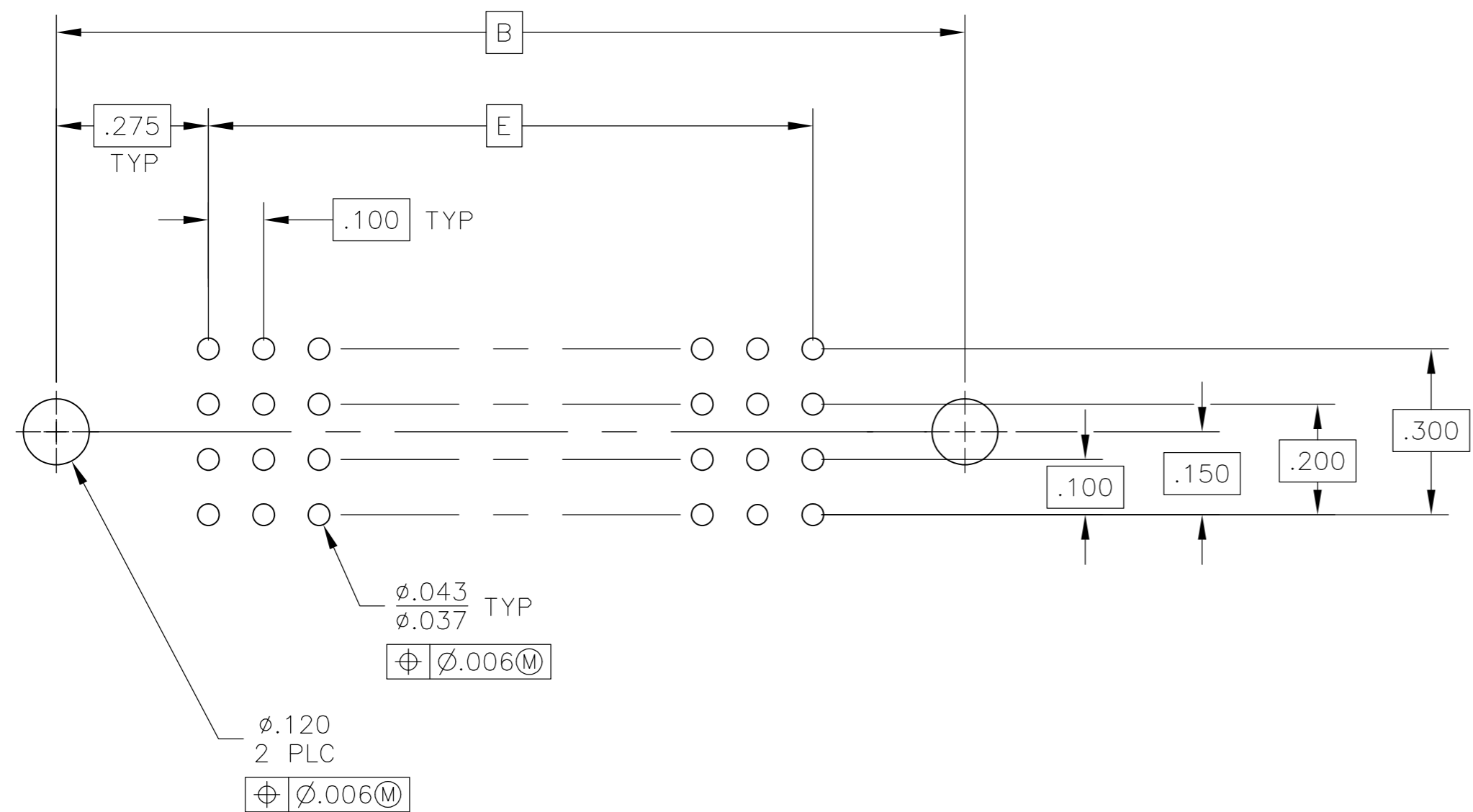
LOC	DIST	REVISIONS					
		P	LTR	DESCRIPTION	DATE	DWN	APVD
-	-	-	-	SEE SHEET 1	-	-	-

- 1 HOUSING MATERIAL: POLYPHENYLENE SULFIDE.
COLOR: NATURAL (BROWN).
- 2 CONTACT MATERIAL: BERYLLIUM COPPER OR COPPER-NICKEL-SILICON
PER UNS C70260.
- 3 CONTACT FINISH: NICKEL UNDERPLATE .000050-.000100 THK ALL OVER
GOLD .000030 THK IN CONTACT AREA.
TIN-LEAD PLATED SOLDER TAILS.
- 4 TE, PART NO. & DATE CODE MARKED IN THIS APPROXIMATE AREA.
- 5 CONTACT FINISH: NICKEL UNDERPLATE .000050-.000100 THK ALL OVER
GOLD .000030 THK IN CONTACT AREA.
TIN PLATED SOLDER TAILS.

5	7.400	74	7.524	7.950	8.250	300	6-533285-2
5	6.400	64	6.524	6.950	7.250	260	6-533285-0
5	5.900	59	6.024	6.450	6.750	240	5-533285-9
5	4.900	49	5.024	5.450	5.750	200	5-533285-7
5	4.400	44	4.524	4.950	5.250	180	5-533285-6
5	3.900	39	4.024	4.450	4.750	160	5-533285-5
5	3.400	34	3.524	3.950	4.250	140	5-533285-4
5	3.100	31	3.224	3.650	3.950	128	5-533285-3
5	2.900	29	3.024	3.450	3.750	120	5-533285-2
5	2.400	24	2.524	2.950	3.250	100	5-533285-1
3	5.700	57	5.824	6.250	6.550	232	3-533285-5

OBSOLETE

OBSOLETE	.900	9	1.024	1.450	1.750	40	1-533285-5
OBSOLETE	4.700	47	4.824	5.250	5.550	192	1-533285-4
OBSOLETE	1.600	16	1.724	2.150	2.450	68	1-533285-3
3	7.400	74	7.524	7.950	8.250	300	1-533285-2
3	6.900	69	7.024	7.450	7.750	280	1-533285-1
3	6.400	64	6.524	6.950	7.250	260	1-533285-0
3	5.900	59	6.024	6.450	6.750	240	533285-9
3	5.400	54	5.524	5.950	6.250	220	533285-8
3	4.900	49	5.024	5.450	5.750	200	533285-7
3	4.400	44	4.524	4.950	5.250	180	533285-6
3	3.900	39	4.024	4.450	4.750	160	533285-5
3	3.400	34	3.524	3.950	4.250	140	533285-4
3	3.100	31	3.224	3.650	3.950	128	533285-3
3	2.900	29	3.024	3.450	3.750	120	533285-2
3	2.400	24	2.524	2.950	3.250	100	533285-1
	E	D	C	B	A	POSN	PART NUMBER



RECOMMENDED PC BOARD LAYOUT

THIS DRAWING IS A CONTROLLED DOCUMENT.

DIMENSIONS: INCHES	TOLERANCES UNLESS OTHERWISE SPECIFIED:	DWN R. SEIFRIED 29-OCT-84	 TE Connectivity	
	0 PLC ± - 1 PLC ± - 2 PLC ± - 3 PLC ± .005 4 PLC ± - ANGLES ± - FINISH - 3	CHK L. CASTAGNA 29-OCT-84		NAME
		APVD L. CASTAGNA 29-OCT-84		RECEPTACLE ASSEMBLY BOX II, 4-ROW W/.149 SOLDER TAILS
		PRODUCT SPEC		SIZE A2 CAGE CODE 00779 C=533285 DRAWING NO
MATERIAL	FINISH	APPLIC. SPEC	RESTRICTED TO	
		WEIGHT	SCALE 4:1 SHEET 2 of 2 REV S2	
		CUSTOMER DRAWING		