



Chipsmall Limited consists of a professional team with an average of over 10 year of expertise in the distribution of electronic components. Based in Hongkong, we have already established firm and mutual-benefit business relationships with customers from,Europe,America and south Asia,supplying obsolete and hard-to-find components to meet their specific needs.

With the principle of "Quality Parts,Customers Priority,Honest Operation,and Considerate Service",our business mainly focus on the distribution of electronic components. Line cards we deal with include Microchip,ALPS,ROHM,Xilinx,Pulse,ON,Everlight and Freescale. Main products comprise IC,Modules,Potentiometer,IC Socket,Relay,Connector.Our parts cover such applications as commercial,industrial, and automotives areas.

We are looking forward to setting up business relationship with you and hope to provide you with the best service and solution. Let us make a better world for our industry!



## Contact us

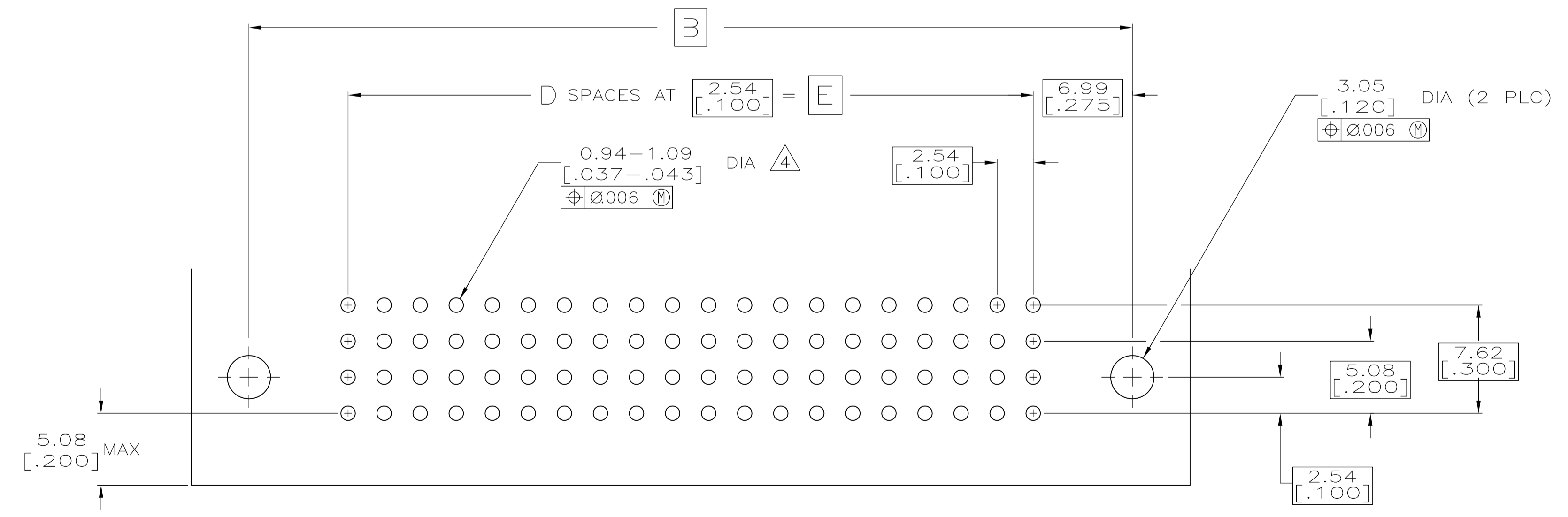
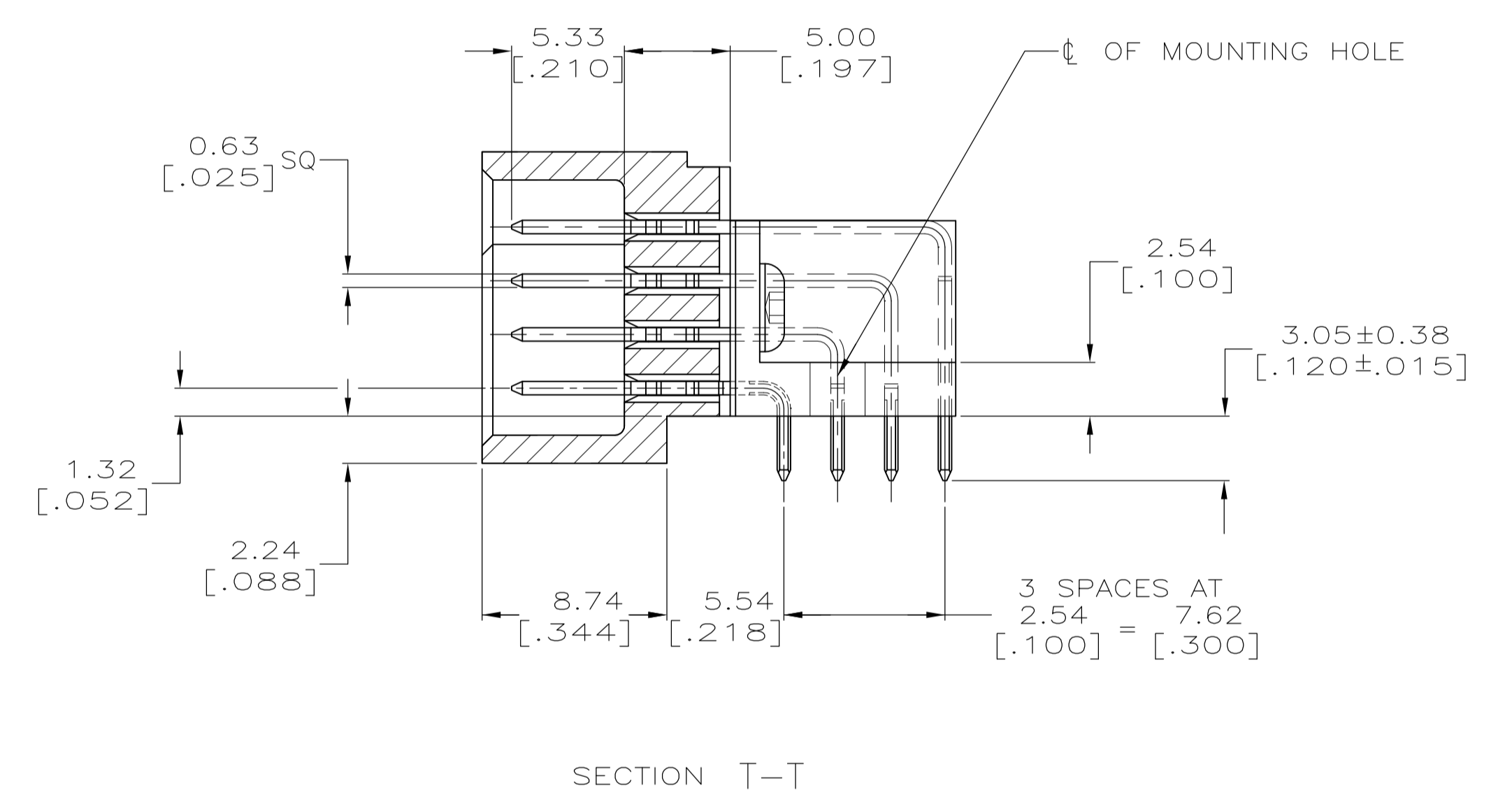
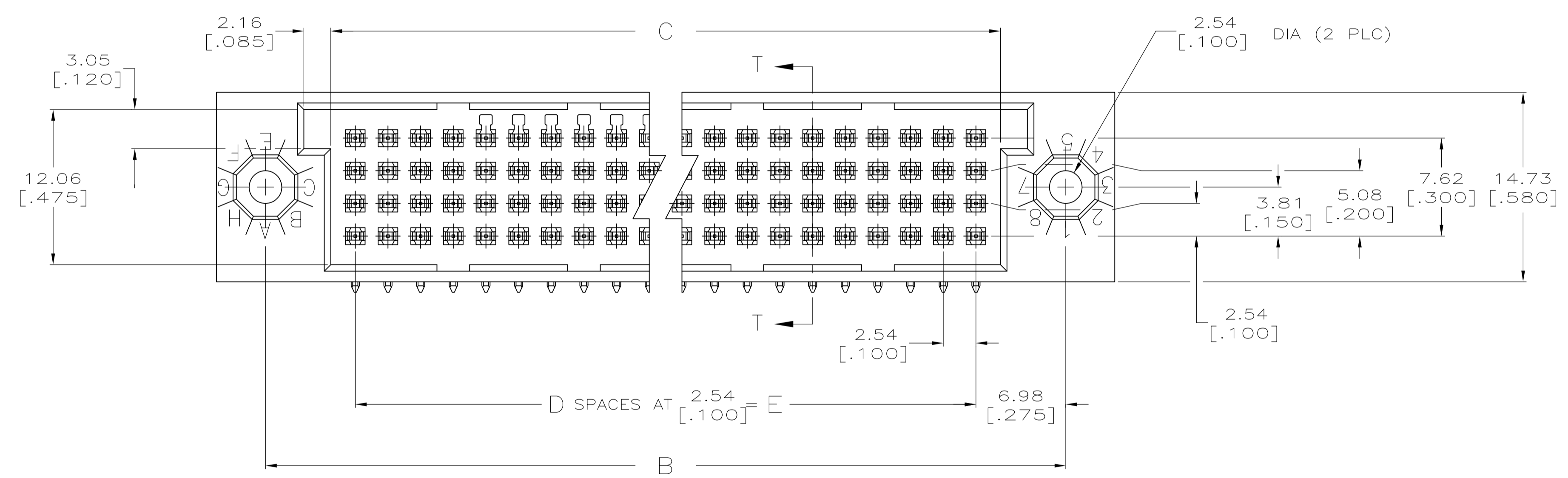
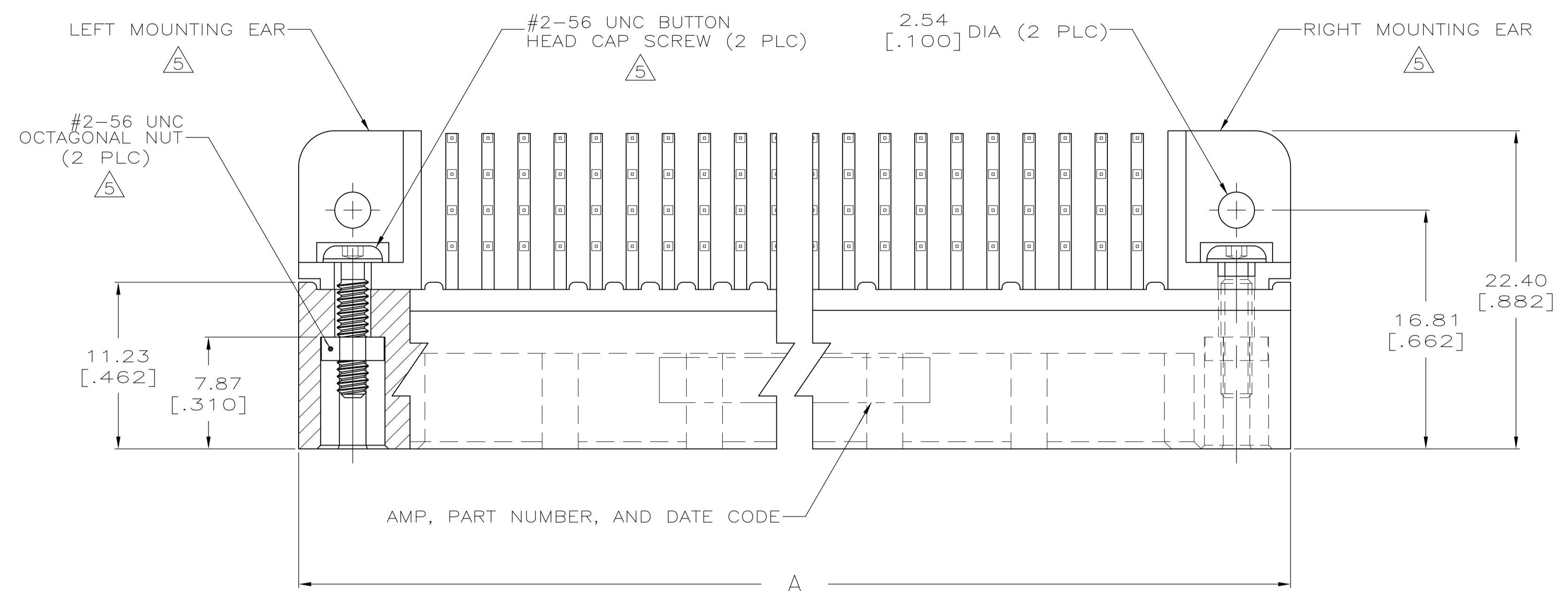
Tel: +86-755-8981 8866 Fax: +86-755-8427 6832

Email & Skype: info@chipsmall.com Web: www.chipsmall.com

Address: A1208, Overseas Decoration Building, #122 Zhenhua RD., Futian, Shenzhen, China



LOC		DIST		REVISIONS			
P	LTR	DESCRIPTION	DATE	DWN	APVD		
U		REVISED PER ECN 0512-0287-05	15MAY06	JDP	AMS		
U1		REVISED PER ECO-09-021826	09JAN10	KK	AEG		



RECOMMENDED P.C. BOARD LAYOUT

THIS DRAWING IS A CONTROLLED DOCUMENT.		DIN R.K. SEIFRIED 05/14/90	Tyco Electronics Corporation Harrisburg, PA 17105-3608
DIMENSIONS: mm [INCHES]		CHK G.SKIPPER 01/22/92	
TOLERANCES UNLESS OTHERWISE SPECIFIED:		APVD G.SKIPPER 01/22/92	NAME
0 PLC ± -			ASSY, HDI, 4 ROW, RIGHT ANGLE PIN
1 PLC ± -			3.05 [.120] LONG SOLDER TAILS,
2 PLC ± -			.00076 [.000030] GOLD PLATE
3 PLC ± 0.13 [.005]			SIZE CASE CODE DRAWING NO
4 PLC ± -			A1 00779 C=533286
ANGLES ± -			RESTRICTED TO
MATERIAL	FINISH	WEIGHT	SCALE 4:1 SHEET 1 OF 2 REV U1
1 2	3		CUSTOMER DRAWING

- ① HOUSING MATERIAL: THERMOPLASTIC, COLOR-BLACK.
- ② CONTACT MATERIAL: PHOSPHOR BRONZE.
- ③ CONTACT FINISH: .00127-.00254 [.000050-.000100] NICKEL UNDERPLATE ALL OVER; .00076 [.000030] GOLD PLATE IN CONTACT AREA, TIN-LEAD PLATED SOLDER TAILS.
- ④ RIGHT ANGLE PIN RECOMMENDED P.C. BOARD HOLE SIZES ARE 0.94-1.09 [.037-.043]; RECOMMENDED PAD DIA IS 1.52 [.060].
- ⑤ MOUNTING EARS AND HARDWARE PURCHASED SEPARATELY, KIT PART NUMBER 533050-1.
- 6. DIMENSIONS IN BRACKETS ARE IN INCHES.
- ⑦ HOUSINGS WITH CENTER MOUNTING IS RECOMMENDED FOR ASSEMBLIES HAVING 75 CONTACTS PER ROW OR MORE.
- ⑧ PART NUMBER IS OBSOLETE.
- ⑨ OBSOLETE PARTS: OBSOLETE CIS STREAMLINING PER D.RENAUD/D.SINISI

⑧	144.78 [5.700]	-57	148.59 [5.850]	158.75 [6.250]	166.37 [6.550]	-232	3-533286-5
⑧	134.62 [5.300]	-53	138.43 [5.450]	148.59 [5.850]	156.21 [6.150]	-216	3-533286-4
-	-	-	-	-	-	-	3-533286-3
-	-	-	-	-	-	-	3-533286-2
-	-	-	-	-	-	-	3-533286-1
-	-	-	-	-	-	-	3-533286-0
-	-	-	-	-	-	-	2-533286-9
-	-	-	-	-	-	-	2-533286-8
-	-	-	-	-	-	-	2-533286-7
-	-	-	-	-	-	-	2-533286-6
-	-	-	-	-	-	-	2-533286-5
-	-	-	-	-	-	-	2-533286-4
-	-	-	-	-	-	-	2-533286-3
-	-	-	-	-	-	-	2-533286-2
-	-	-	-	-	-	-	2-533286-1
-	-	-	-	-	-	-	2-533286-0
-	-	-	-	-	-	-	1-533286-9
-	-	-	-	-	-	-	1-533286-8
OBSOLETE	-	-	-	-	-	-	<del>1-533286-7</del>
-	-	-	-	-	-	-	1-533286-6
⑧	93.98 [3.700]	-37	97.79 [3.850]	107.95 [4.250]	115.57 [4.550]	152	1-533286-5
⑧	210.82 [8.300]	-83	214.63 [8.450]	224.79 [8.850]	232.41 [9.150]	-336	1-533286-4
⑧	200.66 [7.900]	-79	204.47 [8.050]	214.63 [8.450]	222.25 [8.750]	-320	1-533286-3
⑨	187.96 [7.400]	74	191.77 [7.550]	201.93 [7.950]	209.55 [8.250]	300	<del>1-533286-2</del>
⑧	175.26 [6.900]	-69	179.07 [7.050]	189.23 [7.450]	196.85 [7.750]	-280	1-533286-1
⑧	162.56 [6.400]	-64	166.37 [6.550]	176.53 [6.950]	184.15 [7.250]	-260	1-533286-0
	149.86 [5.900]	59	153.67 [6.050]	163.83 [6.450]	171.45 [6.750]	240	533286-9
⑧	137.16 [5.400]	-54	140.97 [5.550]	151.13 [5.950]	158.75 [6.250]	-220	533286-8
⑧	124.46 [4.900]	-49	128.27 [5.050]	138.43 [5.450]	146.05 [5.750]	-200	533286-7
	111.76 [4.400]	44	115.57 [4.550]	125.73 [4.950]	133.35 [5.250]	180	533286-6
	99.06 [3.900]	39	102.87 [4.050]	113.03 [4.450]	120.65 [4.750]	160	533286-5
⑧	86.36 [3.400]	-34	90.17 [3.550]	100.33 [3.950]	107.95 [4.250]	-140	533286-4
	78.74 [3.100]	31	82.55 [3.250]	92.71 [3.650]	100.33 [3.950]	128	533286-3
	73.66 [2.900]	29	77.47 [3.050]	87.63 [3.450]	95.25 [3.750]	120	533286-2
	60.96 [2.400]	24	64.77 [2.550]	74.93 [2.950]	82.55 [3.250]	100	533286-1
	E	D	C	B	A	POSN	PART NUMBER

THIS DRAWING IS A CONTROLLED DOCUMENT.		DIN R.K. SEIFRIED 05/14/90		Tyco Electronics Corporation	
DIMENSIONS: mm [INCHES]		CHK G.SKIPPER 01/22/92		Harrisburg, PA 17105-3608	
TOLERANCES UNLESS OTHERWISE SPECIFIED:		APVO G.SKIPPER 01/22/92		NAME	
0 PLC ± -	1 PLC ± -	PRODUCT SPEC		ASSY, HDI, 4 ROW, RIGHT ANGLE PIN	
2 PLC ± -	3 PLC ± 0.13 [.005]	APPLICATION SPEC		3.05 [120] LONG SOLDER TAILS,	
4 PLC ± -	ANGLES ± -	WEIGHT		.00076 [.000030] GOLD PLATE	
MATERIAL	FINISH	SIZE		CAGE CODE	
①②③	③	A1		DRAWING NO	
CUSTOMER DRAWING		SCALE 4:1		SHEET 2 OF 2	
				REV U1	