



Chipsmall Limited consists of a professional team with an average of over 10 year of expertise in the distribution of electronic components. Based in Hongkong, we have already established firm and mutual-benefit business relationships with customers from,Europe,America and south Asia,supplying obsolete and hard-to-find components to meet their specific needs.

With the principle of “Quality Parts,Customers Priority,Honest Operation,and Considerate Service”,our business mainly focus on the distribution of electronic components. Line cards we deal with include Microchip,ALPS,ROHM,Xilinx,Pulse,ON,Everlight and Freescale. Main products comprise IC,Modules,Potentiometer,IC Socket,Relay,Connector.Our parts cover such applications as commercial,industrial, and automotives areas.

We are looking forward to setting up business relationship with you and hope to provide you with the best service and solution. Let us make a better world for our industry!



Contact us

Tel: +86-755-8981 8866 Fax: +86-755-8427 6832

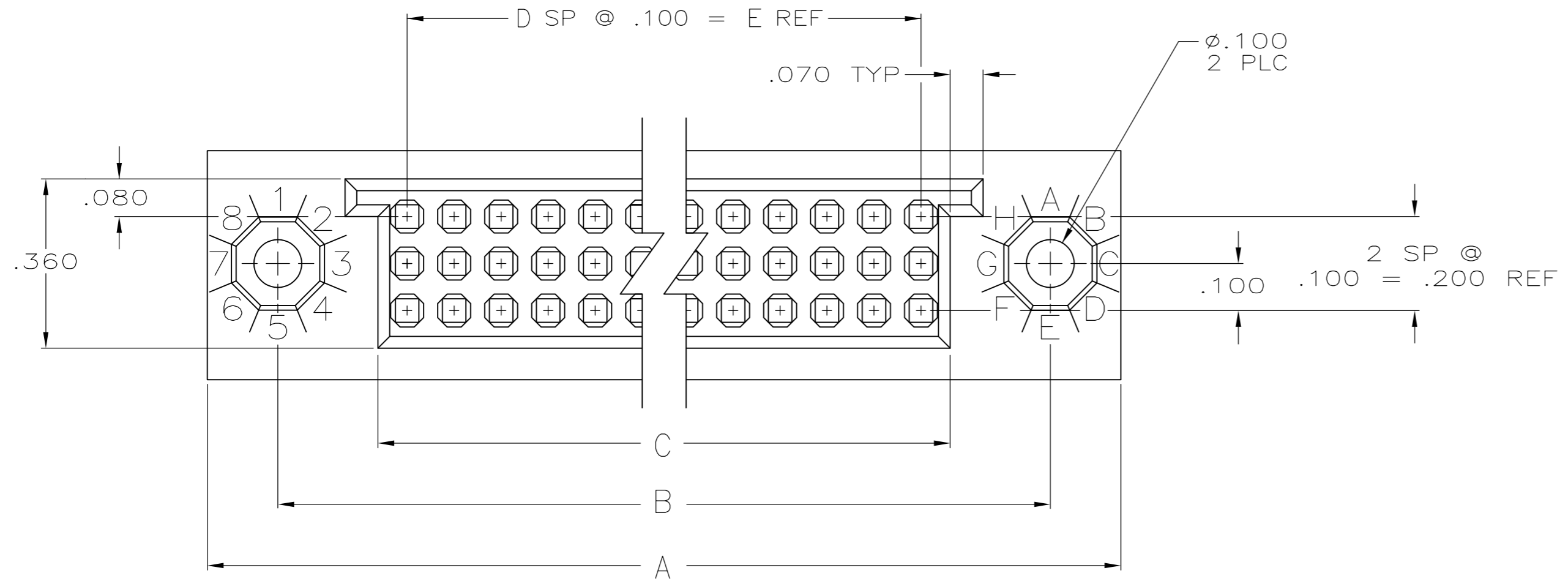
Email & Skype: info@chipsmall.com Web: www.chipsmall.com

Address: A1208, Overseas Decoration Building, #122 Zhenhua RD., Futian, Shenzhen, China

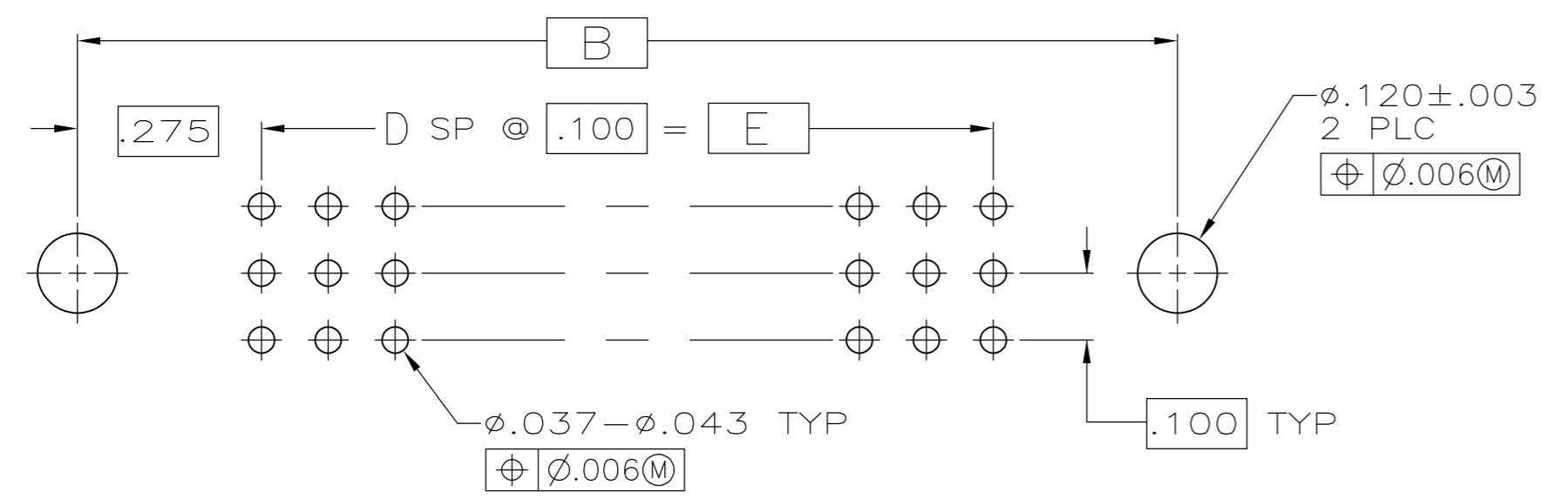
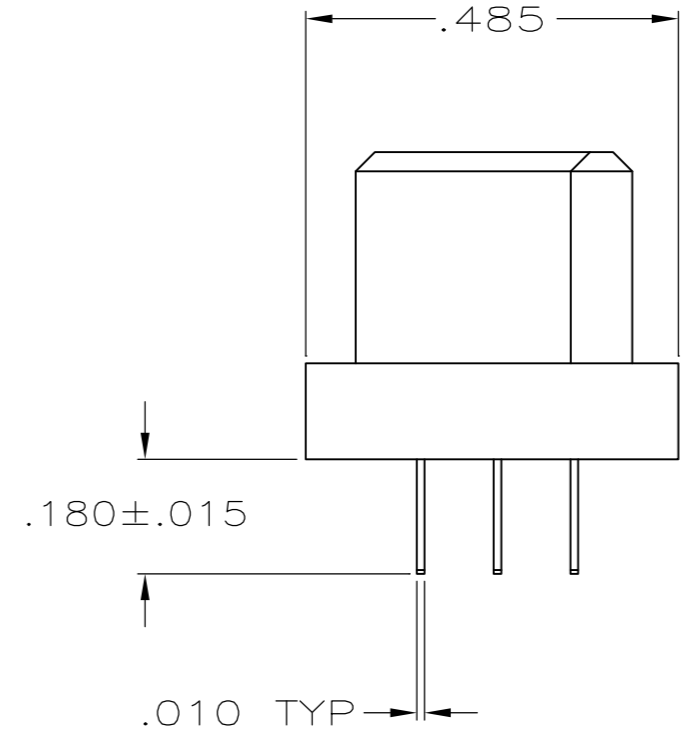
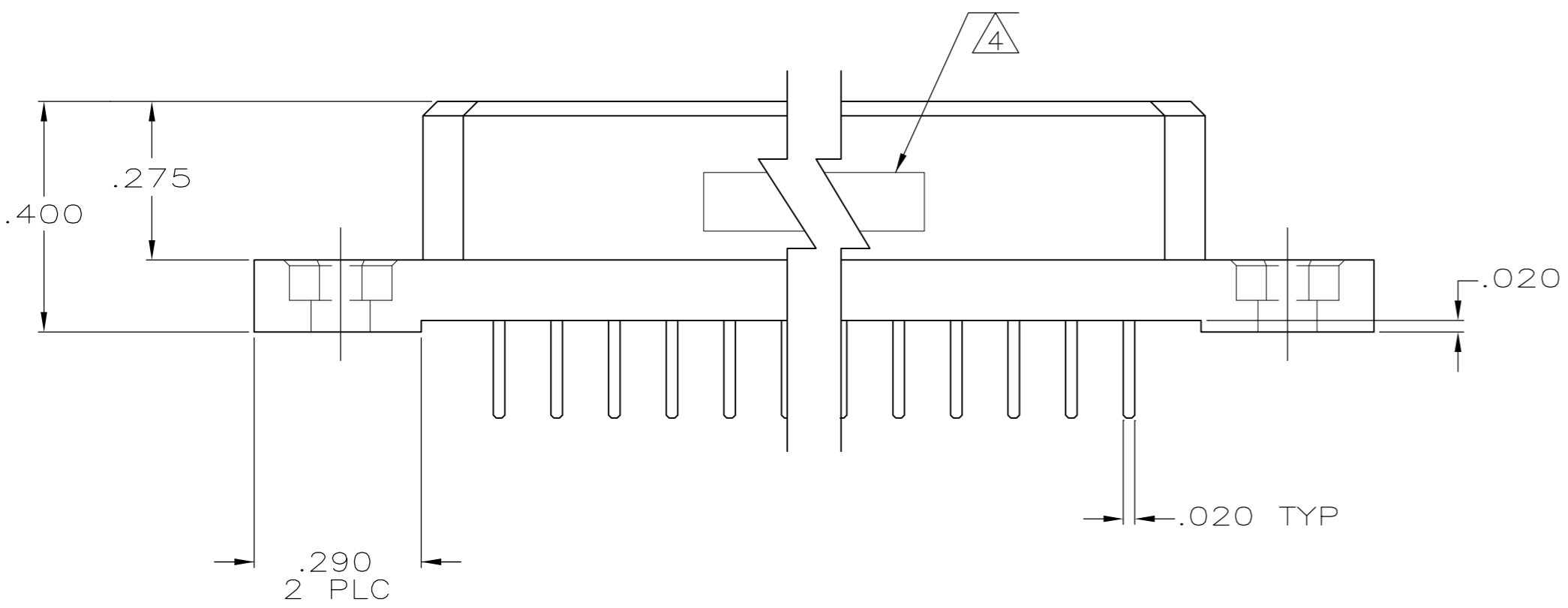


THIS DRAWING IS UNPUBLISHED. RELEASED FOR PUBLICATION - N/A -
 © COPYRIGHT N/A By - ALL RIGHTS RESERVED.

LOC	DIST	REVISIONS					
		P	LTR	DESCRIPTION	DATE	DWN	APVD
DF	DO	N		REV PER ECO-12-009804	22JUN12	PY	DM



- 1 HOUSING MATERIAL: THERMOPLASTIC. COLOR: NATURAL (BROWN).
- 2 CONTACT MATERIAL: BERYLLIUM COPPER OR COPPER-NICKEL-SILICON PER UNS C70260.
- 3 CONTACT FINISH: .000050-.000100 NICKEL UNDERPLATE ALL OVER. .000030 GOLD IN CONTACT AREA. TIN-LEAD PLATED SOLDER TAILS.
- 4 TE, P/N & DATE CODE MARKED IN THIS APPROXIMATE AREA.
- 5 CONTACT FINISH: .000050-.000100 NICKEL UNDERPLATE ALL OVER. .000030 GOLD IN CONTACT AREA. TIN PLATED SOLDER TAILS.



PC BOARD LAYOUT

5	5.700	57	5.824	6.250	6.550	174	5-533495-3
5	4.900	49	5.024	5.450	5.750	150	5-533495-2
3	5.700	57	5.824	6.250	6.550	174	533495-3
3	4.900	49	5.024	5.450	5.750	150	533495-2
3	7.400	74	7.524	7.950	8.250	225	533495-1
REMARKS	E	D	C	B	A	POSN	ASSY P/N

THIS DRAWING IS A CONTROLLED DOCUMENT.

DWN	L. BRINER	19-MAR-87
CHK	L. CASTAGNA	20-MAR-87
APVD	L. CASTAGNA	20-MAR-87
PRODUCT SPEC	-	
APPLICATION SPEC	-	
WEIGHT	-	
CUSTOMER DRAWING	SCALE 4:1	SHEET 1 of 1

TE Connectivity

BOX II ASSEMBLY
3 ROW
W/SOLDER TAILS

SIZE A2 CAGE CODE 00779 C=533495 RESTRICTED TO -

SCALE 4:1 SHEET 1 of 1 REV N