



Chipsmall Limited consists of a professional team with an average of over 10 year of expertise in the distribution of electronic components. Based in Hongkong, we have already established firm and mutual-benefit business relationships with customers from,Europe,America and south Asia,supplying obsolete and hard-to-find components to meet their specific needs.

With the principle of "Quality Parts,Customers Priority,Honest Operation,and Considerate Service",our business mainly focus on the distribution of electronic components. Line cards we deal with include Microchip,ALPS,ROHM,Xilinx,Pulse,ON,Everlight and Freescale. Main products comprise IC,Modules,Potentiometer,IC Socket,Relay,Connector.Our parts cover such applications as commercial,industrial, and automotives areas.

We are looking forward to setting up business relationship with you and hope to provide you with the best service and solution. Let us make a better world for our industry!



## Contact us

Tel: +86-755-8981 8866 Fax: +86-755-8427 6832

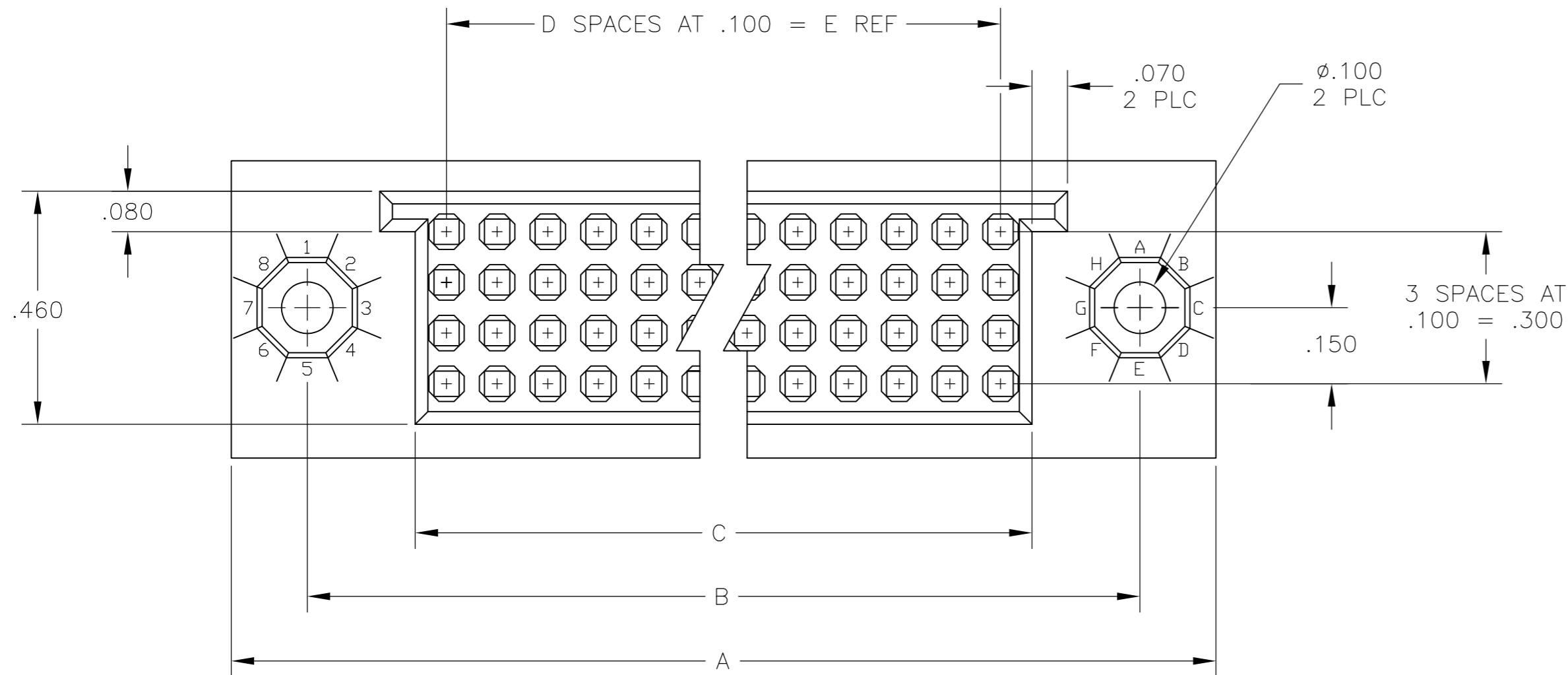
Email & Skype: info@chipsmall.com Web: www.chipsmall.com

Address: A1208, Overseas Decoration Building, #122 Zhenhua RD., Futian, Shenzhen, China

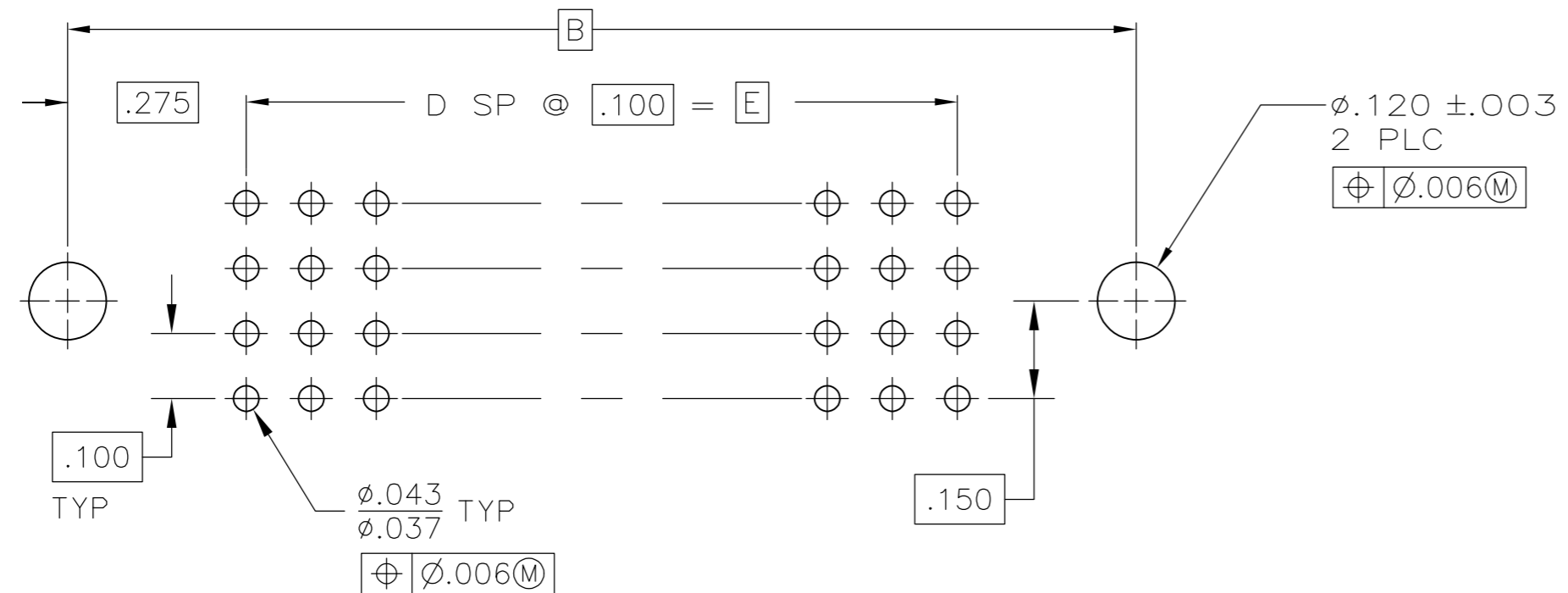
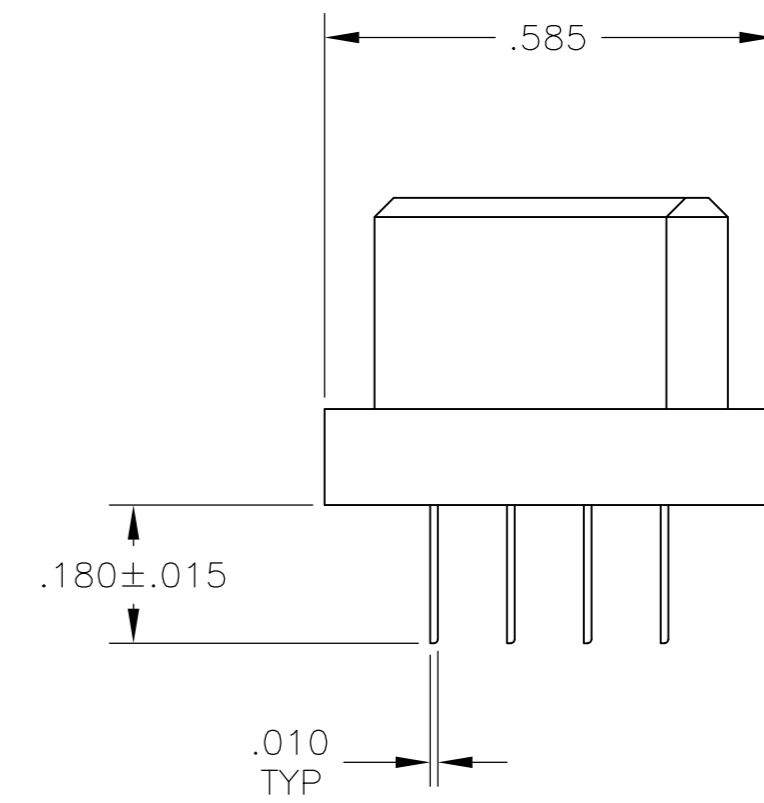
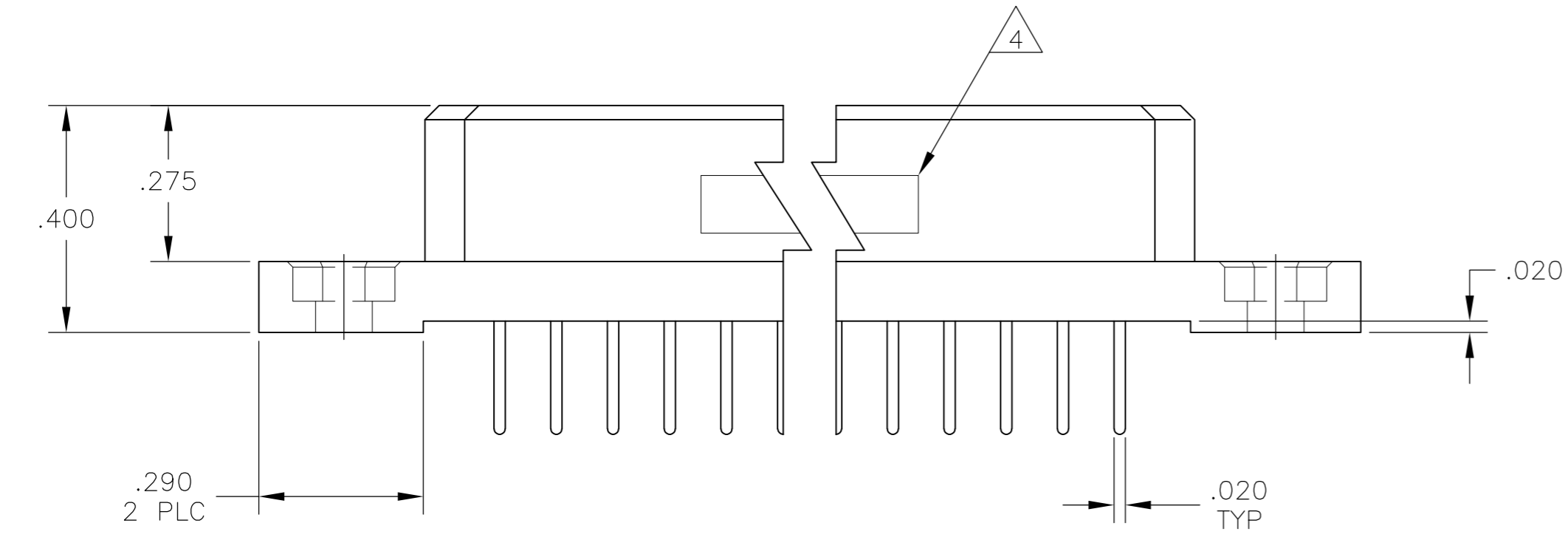


THIS DRAWING IS UNPUBLISHED. RELEASED FOR PUBLICATION - N/A -  
 © COPYRIGHT N/A By - ALL RIGHTS RESERVED.

LOC		DIST		REVISIONS			
P	LTR	DESCRIPTION	DATE	DWN	APVD		
	F	REV PER ECO-12-009804	22JUN12	PY	DM		



- 1 HOUSING MATERIAL: POLYPHENYLENE SULFIDE. COLOR: NATURAL (BROWN).
- 2 CONTACT MATERIAL: BERYLLIUM COPPER OR COPPER-NICKEL-SILICON PER UNS C70260.
- 3 CONTACT FINISH: NICKEL UNDERPLATE .000050-.000100 THK ALL OVER. GOLD .000030 THK IN CONTACT AREA. TIN-LEAD PLATED SOLDER TAILS.
- 4 TE, PART NO. & DATE CODE MARKED IN THIS APPROXIMATE AREA.
- 5 CONTACT FINISH: NICKEL UNDERPLATE .000050-.000100 THK ALL OVER. GOLD .000030 THK IN CONTACT AREA. TIN PLATED SOLDER TAILS (LEAD FREE).



PC BOARD LAYOUT

5	5.700	57	5.824	6.250	6.550	232	5-533499-2
5	5.300	53	5.424	5.850	6.150	216	5-533499-1
3	5.700	57	5.824	6.250	6.550	232	533499-2
3	5.300	53	5.424	5.850	6.150	216	533499-1
	E	D	C	B	A	POSN	PART NUMBER

THIS DRAWING IS A CONTROLLED DOCUMENT.

DIMENSIONS: INCHES	TOLERANCES UNLESS OTHERWISE SPECIFIED:	DWN L. BRINER 12-NOV-87	 TE Connectivity
	0 PLC ± -	CHK G. STEINHAUER 17-NOV-87	
	1 PLC ± -	APVD G. STEINHAUER 17-NOV-87	
	2 PLC ± -	PRODUCT SPEC	
MATERIAL	FINISH	NAME	BOX II ASSEMBLY 4 ROW WITH .180 SOLDER TAILS
3 PLC ± .005	4 ANGLES ± -	SIZE A2	CAGE CODE 00779
4 PLC ± -	FINISH	DRAWING NO	RESTRICTED TO
5 ANGLES ± -		SCALE 4:1	SHEET 1 of 1
5 ANGLES ± -		CUSTOMER DRAWING	REV F