



Chipsmall Limited consists of a professional team with an average of over 10 year of expertise in the distribution of electronic components. Based in Hongkong, we have already established firm and mutual-benefit business relationships with customers from,Europe,America and south Asia,supplying obsolete and hard-to-find components to meet their specific needs.

With the principle of “Quality Parts,Customers Priority,Honest Operation,and Considerate Service”,our business mainly focus on the distribution of electronic components. Line cards we deal with include Microchip,ALPS,ROHM,Xilinx,Pulse,ON,Everlight and Freescale. Main products comprise IC,Modules,Potentiometer,IC Socket,Relay,Connector.Our parts cover such applications as commercial,industrial, and automotives areas.

We are looking forward to setting up business relationship with you and hope to provide you with the best service and solution. Let us make a better world for our industry!



Contact us

Tel: +86-755-8981 8866 Fax: +86-755-8427 6832

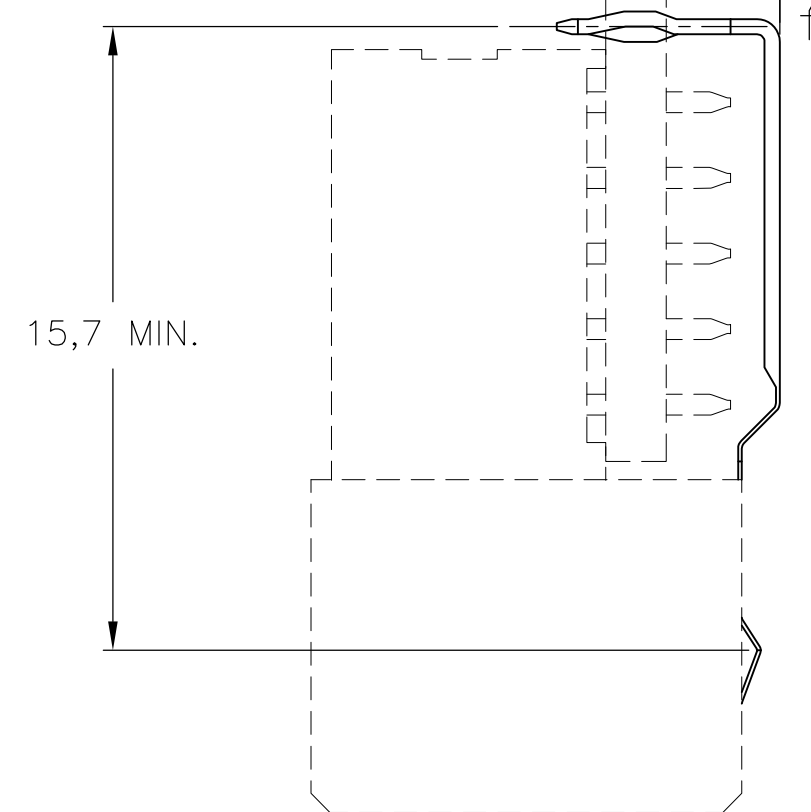
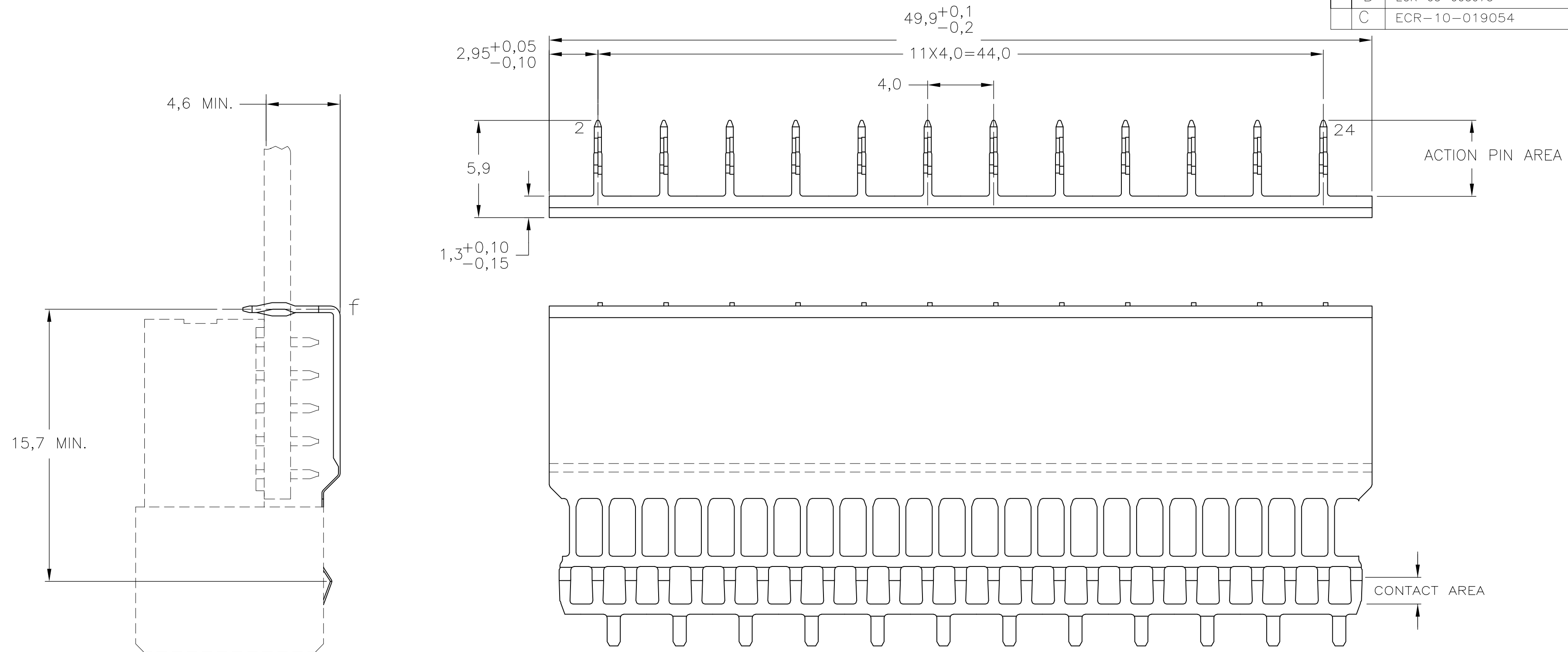
Email & Skype: info@chipsmall.com Web: www.chipsmall.com

Address: A1208, Overseas Decoration Building, #122 Zhenhua RD., Futian, Shenzhen, China



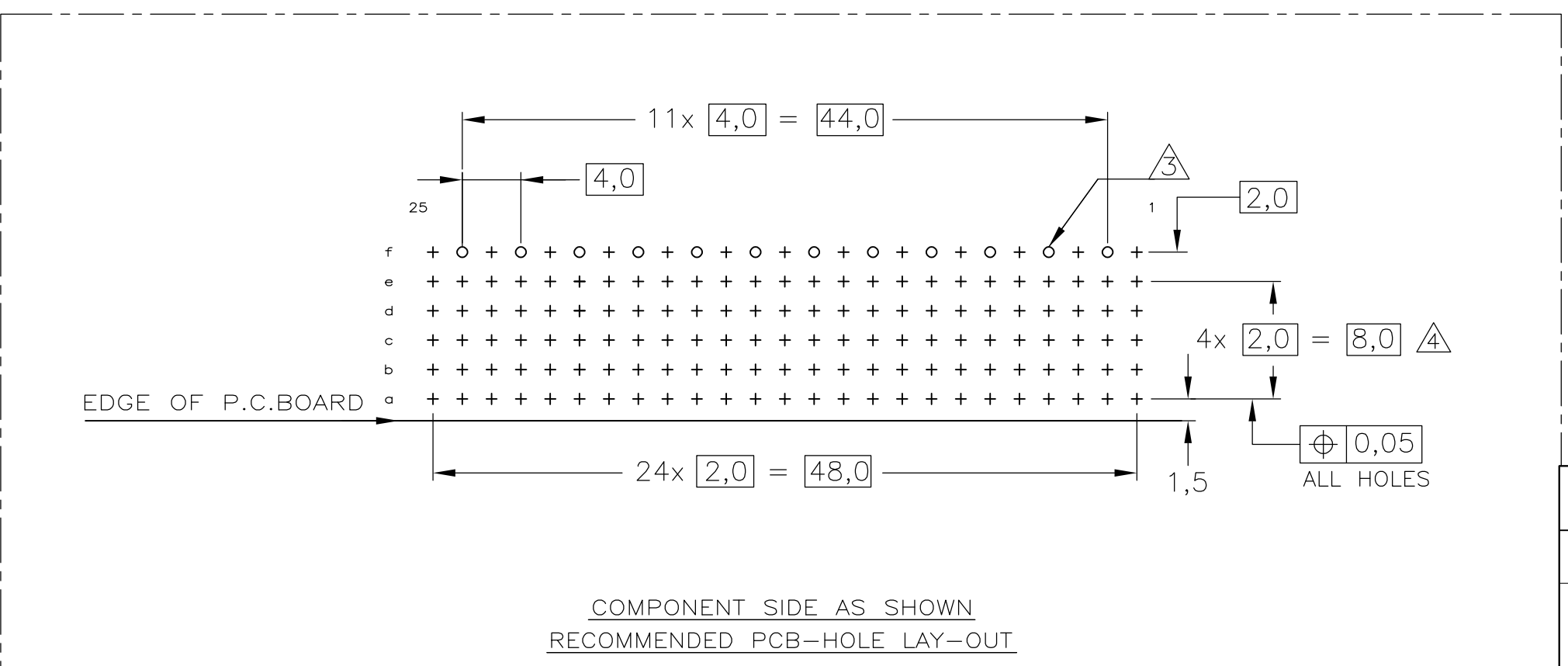
THIS DRAWING IS UNPUBLISHED. RELEASED FOR PUBLICATION
 © COPYRIGHT BY TYCO ELECTRONICS CORPORATION. ALL RIGHTS RESERVED.

LOC	DIST	REVISIONS			
P	LTR	DESCRIPTION	DATE	DWN	APVD
	B	ECR-05-005975	30-JUN-05	BM	JB
	C	ECR-10-019054	15SEP10	DP	MQW



NOTES:

- ⚠️ PLATING:
 CONTACT AREA: 0,76µm Au MIN. OVER 1,27µm Ni MIN.
 ACTION PIN : 0,5µm Sn MIN.
 REMAINDER : Ni
 - ⚠️ MATERIAL; PHOSPHORBRONZE.
 - ⚠️ ROW "f" 12 PLATED THROUGH HOLES FOR LOWERSHIELD.
 - ⚠️ HOLE PATTERN FOR FEMALE CONNECTOR TYPE B-25 COLUMNS WITH UPPERSHIELD, 125+13 PLATED-THROUGH HOLES AT 2x2mm SQUARE GRID.
 - 5 MAX. BOARD THICKNESS 3,5 mm.
 - ⚠️ SHIELDS LUBRICATED WITH BELLCORE APPROVED LUBRICANT.
- TECHNICAL REF: TR-NWT-001217 ISSUE 1, SEPT. 1992.



FINISH	MATERIAL	PARTNUMBER
⚠️ ⚠️	⚠️	5338110-9
⚠️	⚠️	5338110-2

THIS DRAWING IS A CONTROLLED DOCUMENT.		DWN K.N.KIRAN 13AUG04	Tyco Electronics Corporation 's-Hertogenbosch,5222AR-32	
DIMENSIONS: mm	TOLERANCES UNLESS OTHERWISE SPECIFIED: ±0.2	CHK B.MOOIJ 25MAR05	NAME Z-PACK 2mm HM GROUND RETURN LOWER SHIELD TYPE B-25 COLUMNS	
		APVD B.MOOIJ 25MAR05	SIZE A2	CAGE CODE 00779
		PRODUCT SPEC 108-19082	DRAWING NO C=5338110	RESTRICTED TO -
MATERIAL -	FINISH -	APPLICATION SPEC 114-19029	SCALE 5:1	SHEET 1 OF 1
		WEIGHT -	REV C	
CUSTOMER DRAWING				

5338110