



Chipsmall Limited consists of a professional team with an average of over 10 year of expertise in the distribution of electronic components. Based in Hongkong, we have already established firm and mutual-benefit business relationships with customers from,Europe,America and south Asia,supplying obsolete and hard-to-find components to meet their specific needs.

With the principle of “Quality Parts,Customers Priority,Honest Operation,and Considerate Service”,our business mainly focus on the distribution of electronic components. Line cards we deal with include Microchip,ALPS,ROHM,Xilinx,Pulse,ON,Everlight and Freescale. Main products comprise IC,Modules,Potentiometer,IC Socket,Relay,Connector.Our parts cover such applications as commercial,industrial, and automotives areas.

We are looking forward to setting up business relationship with you and hope to provide you with the best service and solution. Let us make a better world for our industry!



Contact us

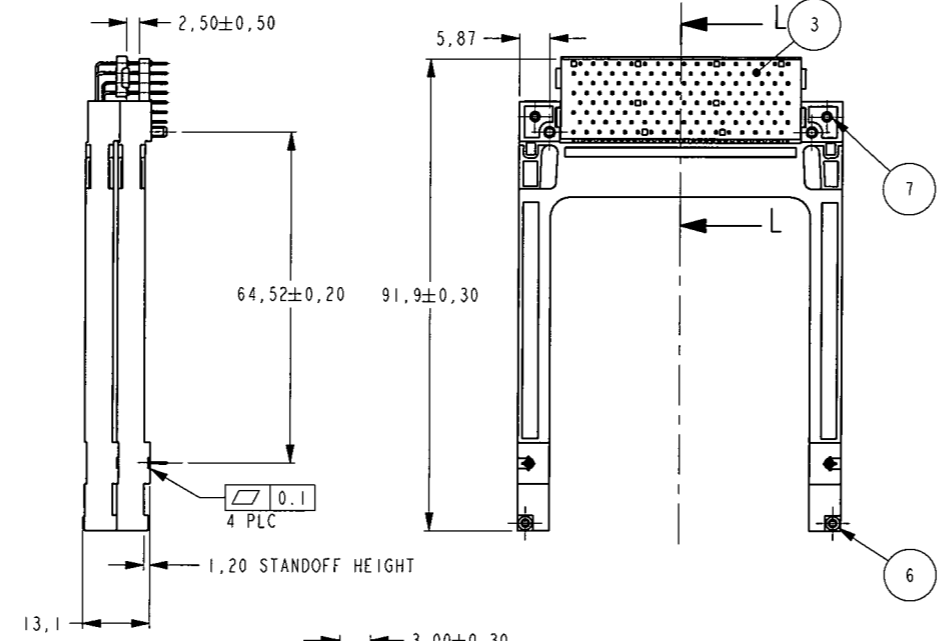
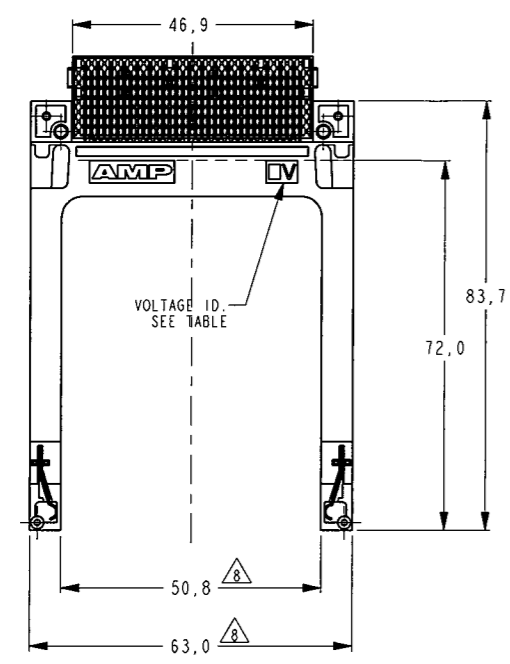
Tel: +86-755-8981 8866 Fax: +86-755-8427 6832

Email & Skype: info@chipsmall.com Web: www.chipsmall.com

Address: A1208, Overseas Decoration Building, #122 Zhenhua RD., Futian, Shenzhen, China



LOC		DIST		REVISIONS			
P	LTR	DESCRIPTION	DATE	DWN	APVD		
IR	-						
D		REVISED	30MAR2017	M.T	K.K		



NOTES/SPECIFICATION:

- TOP HEADER ACCEPTS TYPES I, II, & III AND BOTTOM HEADER ACCEPTS TYPES I & II, - OF PCMCIA STANDARD MEMORY CARDS.
- MECHANICAL SPECIFICATION:
 - DURABILITY
 - OFFICE ENVIRONMENT: 10000 CYCLES MINIMUM
 - HARSH ENVIRONMENT: 5000 CYCLES
 - CONTACT RETENTION FORCE: 1 kg MINIMUM
- ELECTRICAL SPECIFICATION:
 - CONTACT RESISTANCE: 40 MILLI OHMS MAX.
 - DIELECTRIC WITHSTANDING VOLTAGE: 500 Vrms FOR 1 min.
 - INSULATION RESISTANCE: 1000 MEGA OHMS MIN.
 - CURRENT CAPACITY: 0.5 AMPS PER PIN.
- ENVIRONMENTAL SPECIFICATIONS:
 - STORAGE ENVIRONMENT: -40°C TO +70°C, 95% MAX. RELATIVE HUMIDITY (NON CONDENSING)
 - OPERATION TEMPERATURE: -20°C TO +60°C, 95% MAX. RELATIVE HUMIDITY (NON CONDENSING)
 - THERMAL SHOCK: 6 CYCLES (1 CYCLE PER HOUR) WITH CONNECTOR ENGAGED WITH EXTREMES OF -55°C TO +70°C.

5. LENGTH OF CONTACTS OF BOTH HEADERS:

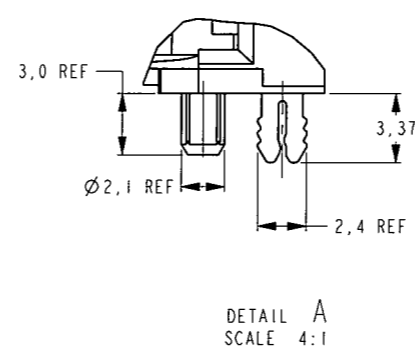
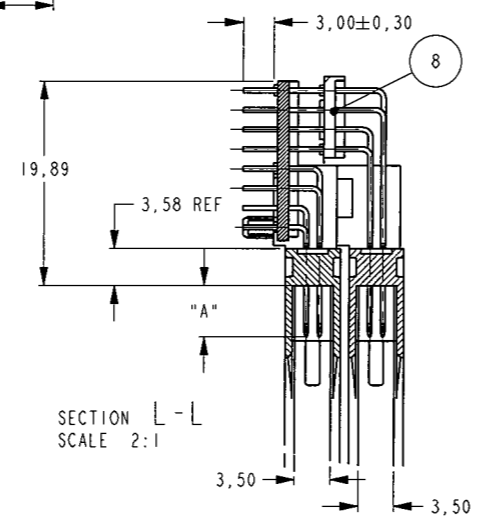
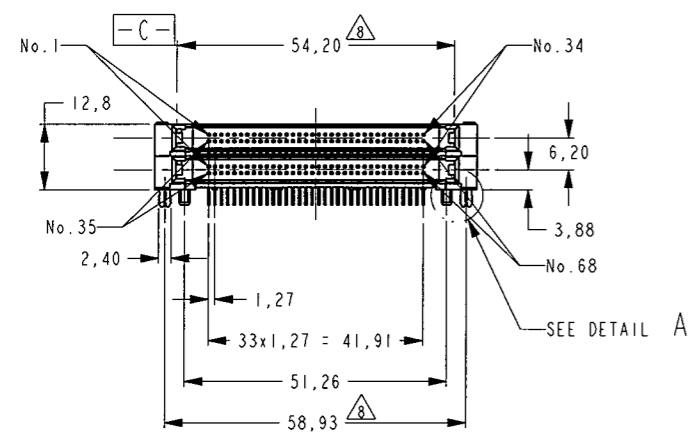
DIM "A"	POSITION No.
5	1, 17, 34, 35, 51, 68
3.5	36, 67
4.25	THE OTHERS

6. PLATING OF CONTACT: Ni: 1.5µm MIN. (OVERALL)
 Au: 0.03µm MIN. (CARD SIDE)
 TIN: 2µm MIN. (PCB SIDE)

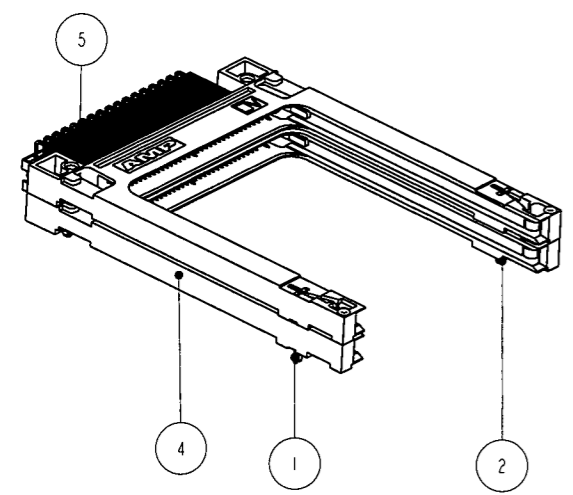
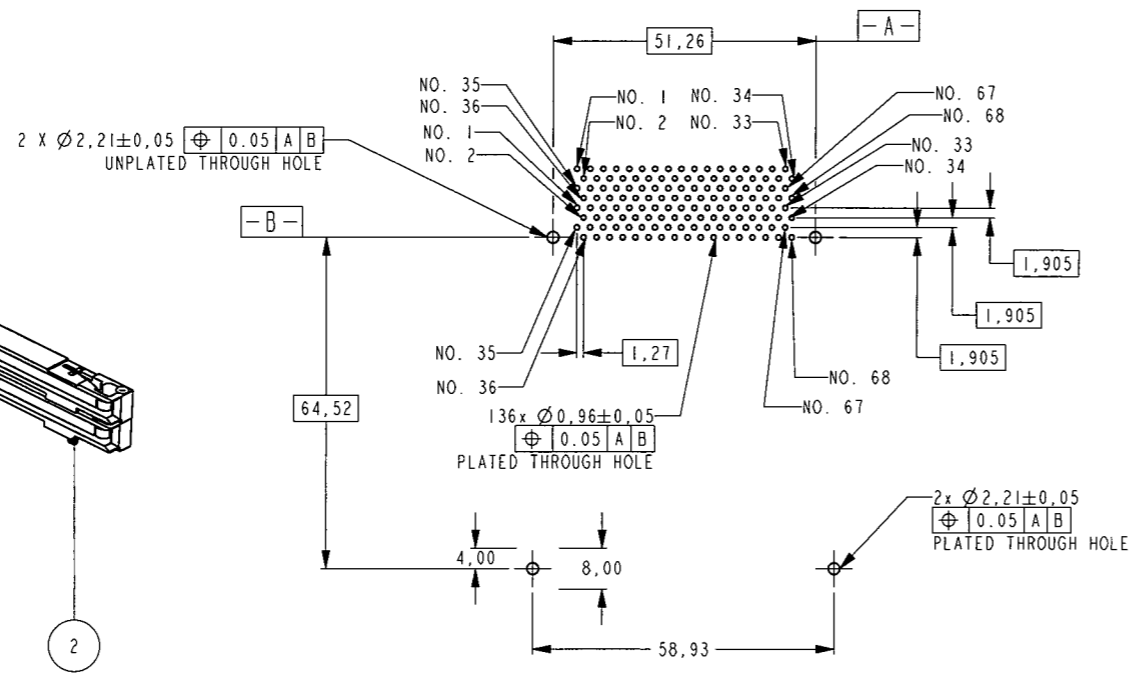
7. ALL PARTS PACKAGED IN TRAYS UNLESS REQUESTED:
 8. MEASURING METHOD: MEASURE THESE DIMENSION, BY FIXING THE CONNECTOR TO THE STANDARD GAUGE.

CONNECTOR TO PRINTED CIRCUIT BOARD ASSEMBLY:

- PLACE THE CONNECTOR ON THE PRINTED CIRCUIT BOARD. THE SOLDER TAILS, RETENT CLIPS & PLASTIC LEGS SHOULD BE SEATED IN THE RESPECTIVE HOLES
- PUSH FIRMLY DOWN ON CENTER OF PLASTIC LEGS THEN SOLDER RETENTS. A SLIGHT SNAP IS FELT WHEN THE CONTACT IS FULLY SEATED.
- SOLDER PROCESS ENTIRE PRINTED CIRCUIT BOARD ASSEMBLY



RECOMMENDED PCB LAYOUT (THICKNESS: 1,60mm ±0,1mm)



	3.3V	5338948-2
OBSOLETE	5V	5338948-1
	VOLTAGE IDENTIFICATION	PARTNUMBER

ITEM NO	QTY	DESCRIPTION	MATERIAL	FINISH
8	1	ORGANISER	THERMOPLASTIC UL 94 VO	COLOR: BLACK
7	2	RIVET SHORT	BRASS	
6	2	RIVET LONG	BRASS	
5	136	CONTACT	COPPER ALLOY	
4	2	HOUSING	THERMOPLASTIC UL 94 VO	COLOR: BLACK
3	1	ORGANISER	THERMOPLASTIC UL 94 VO	COLOR: BLACK
2	1	GROUND CONTACT	PHOSPHOR BRONZE	TIN: 2µm MIN
1	1	GROUND CONTACT	PHOSPHOR BRONZE	TIN: 2µm MIN

THIS DRAWING IS A CONTROLLED DOCUMENT.

DWN: P. Willems 28-DEC-05
 CHR: P. Willems 28-DEC-05
 APVD: J. Broeksteeg 28-DEC-05

TE Connectivity

NAME: STACKED PC CARD HEADER FLUSH VERSION

PRODUCT SPEC: 108-19201

APPLICATION SPEC: -

SIZE: A2 CAGE CODE: 00779 DRAWING NO: C-5338948 RESTRICTED TO: -

WEIGHT: -

CUSTOMER DRAWING SCALE: 1:1 SHEET: 1 OF 1 REV: D