



Chipsmall Limited consists of a professional team with an average of over 10 year of expertise in the distribution of electronic components. Based in Hongkong, we have already established firm and mutual-benefit business relationships with customers from,Europe,America and south Asia,supplying obsolete and hard-to-find components to meet their specific needs.

With the principle of “Quality Parts,Customers Priority,Honest Operation,and Considerate Service”,our business mainly focus on the distribution of electronic components. Line cards we deal with include Microchip,ALPS,ROHM,Xilinx,Pulse,ON,Everlight and Freescale. Main products comprise IC,Modules,Potentiometer,IC Socket,Relay,Connector.Our parts cover such applications as commercial,industrial, and automotives areas.

We are looking forward to setting up business relationship with you and hope to provide you with the best service and solution. Let us make a better world for our industry!



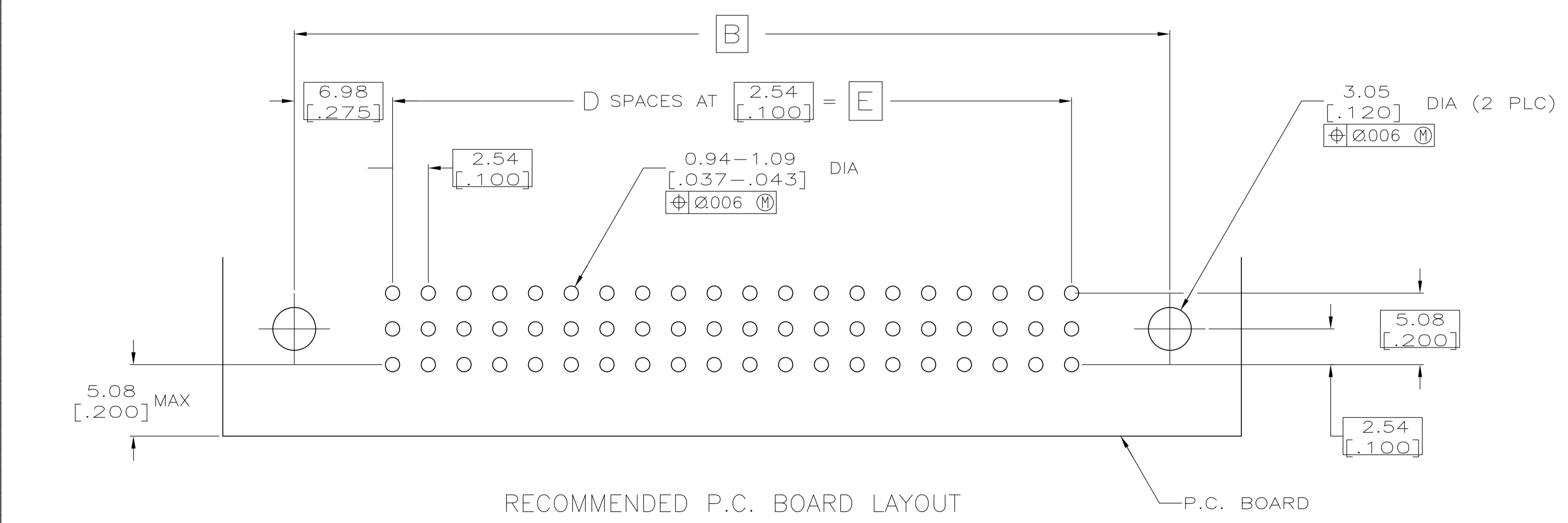
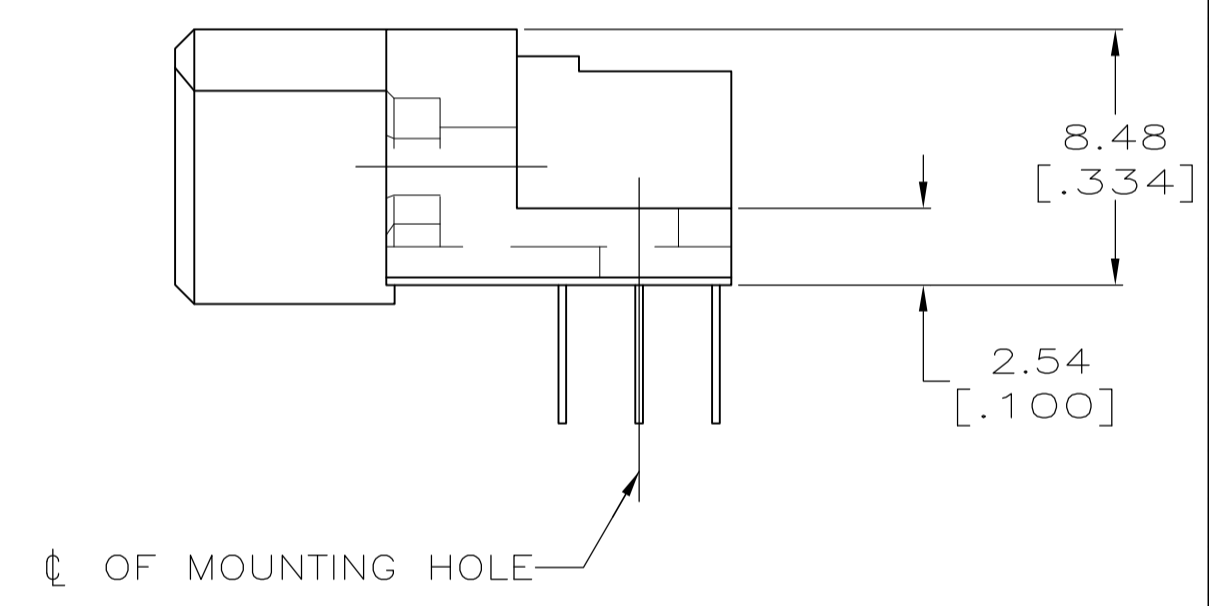
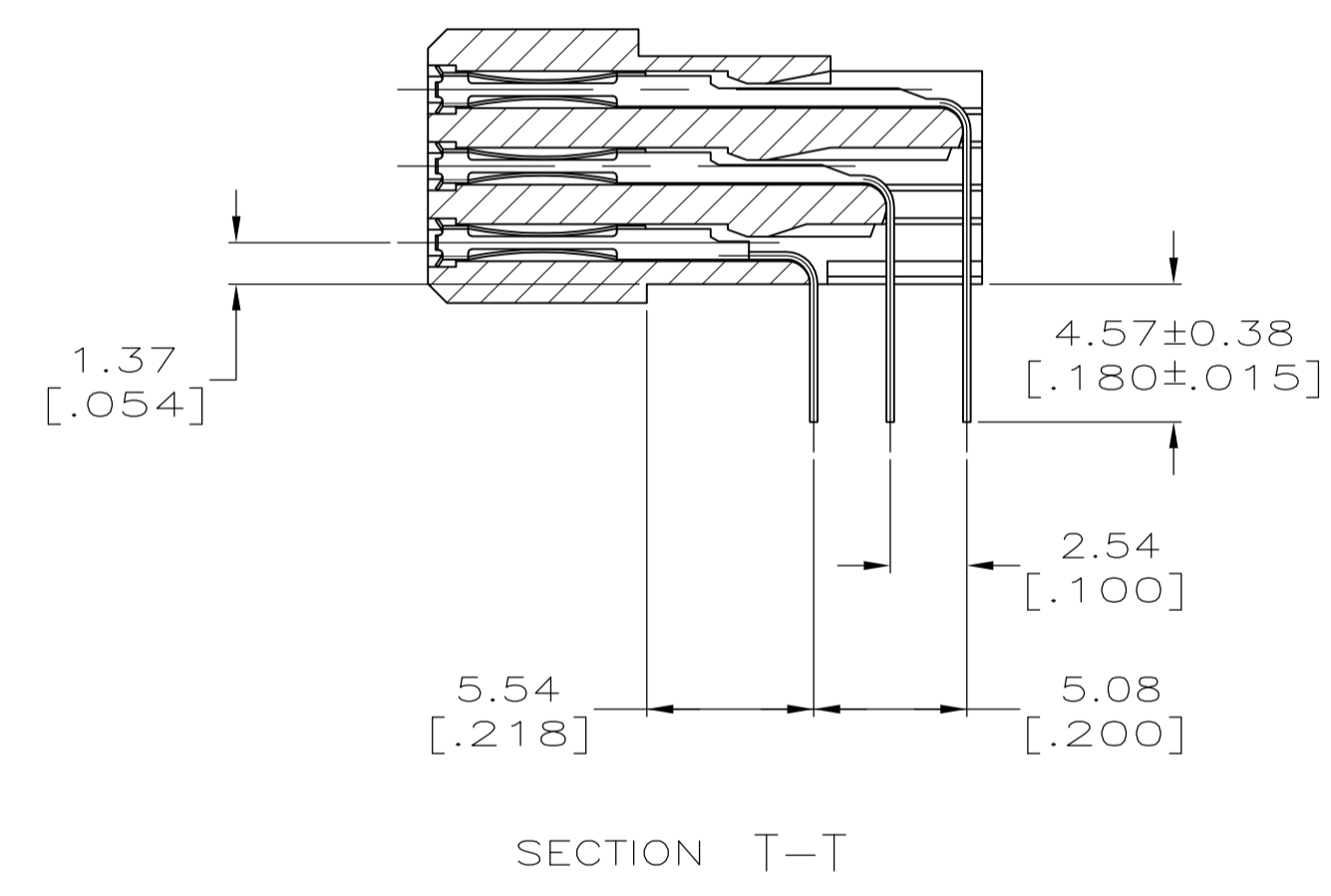
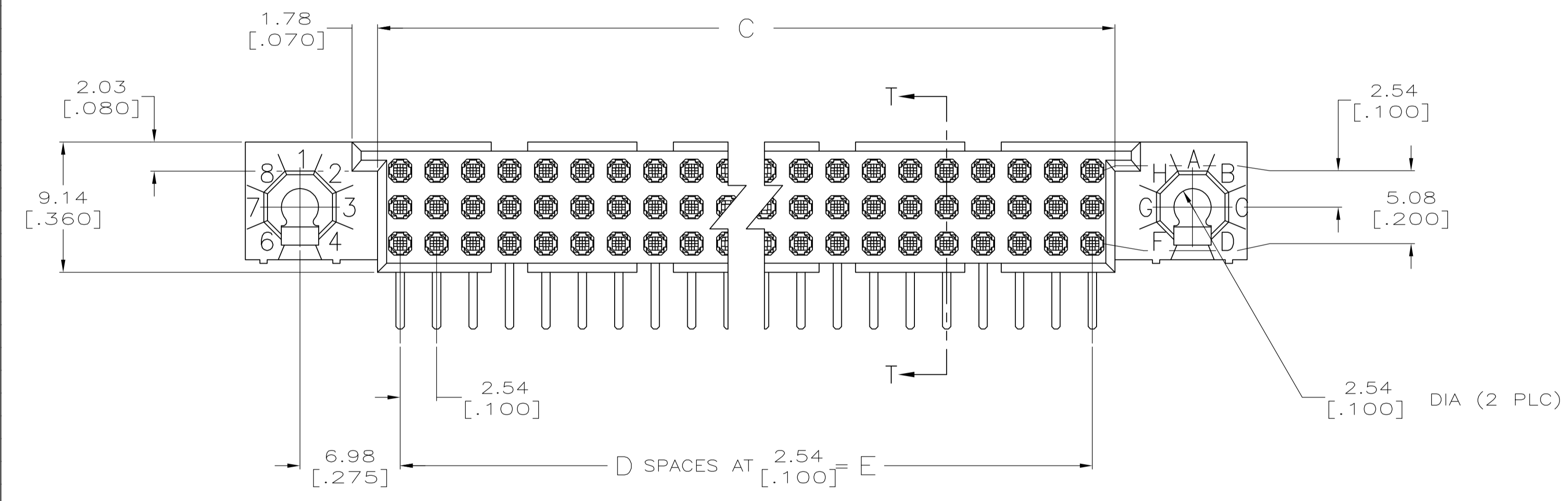
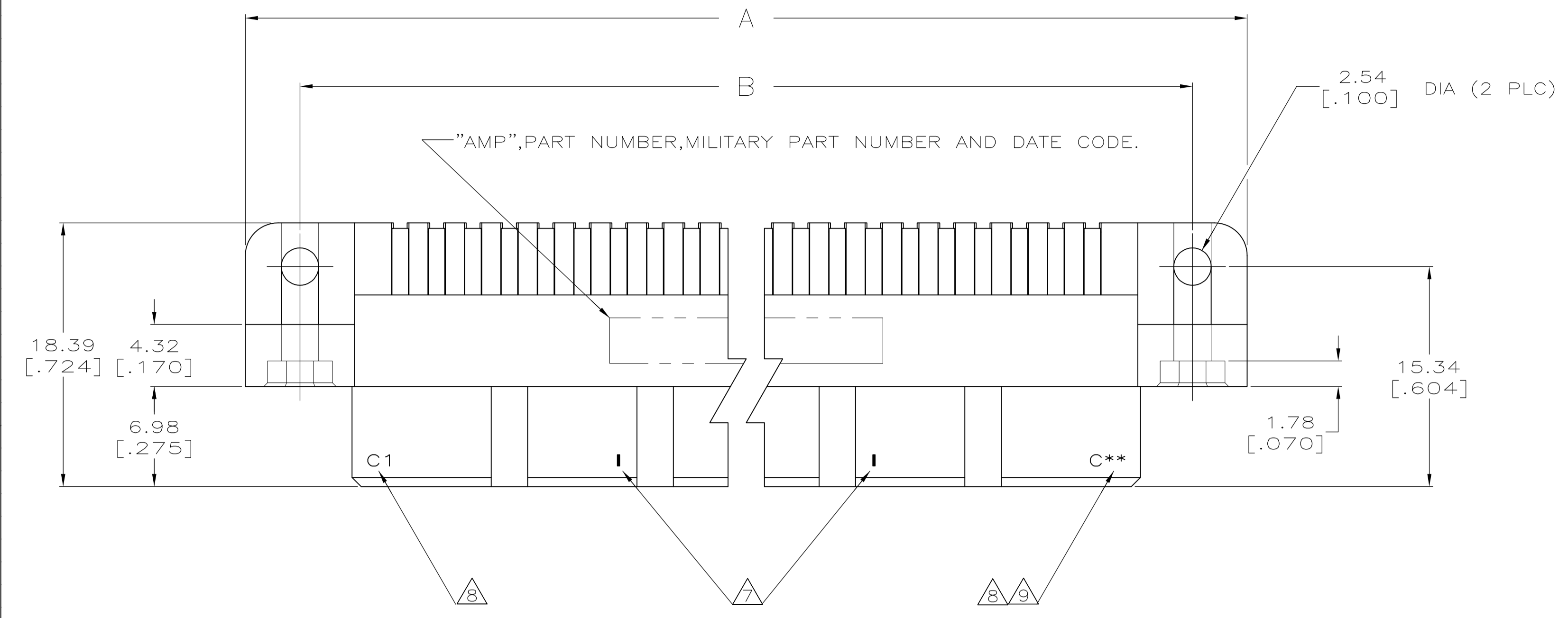
## Contact us

Tel: +86-755-8981 8866 Fax: +86-755-8427 6832

Email & Skype: info@chipsmall.com Web: www.chipsmall.com

Address: A1208, Overseas Decoration Building, #122 Zhenhua RD., Futian, Shenzhen, China





THIS DRAWING IS A CONTROLLED DOCUMENT.		DIN T. HOFFMAN 3/13/92	TE Connectivity
DIMENSIONS: INCHES		CHK G. SKIPPER 7/14/92	
TOLERANCES UNLESS OTHERWISE SPECIFIED:		APVD	NAME
0 PLC ± -	1 PLC ± -	HDI, 3 ROW, RECEPTACLE ASSEMBLY, 4.57 [.180] LONG SOLDER TAILS, 0.00127 [.000050] GOLD PLATE	
2 PLC ± -	3 PLC ± 0.13 [.005]	PRODUCT SPEC	
4 PLC ± -	ANGLES ± -	APPLICATION SPEC	
MATERIAL		SIZE	CAGE CODE DRAWING NO. RESTRICTED TO
FINISH		WEIGHT	A1 00779 C=533914
CUSTOMER DRAWING		SCALE 4:1	SHEET 1 OF 2 REV G1

- 1 HOUSING MATERIAL: THERMOPLASTIC, COLOR-NATURAL.
- 2 CONTACT MATERIAL: BERYLLIUM COPPER.
- 3 CONTACT FINISH: .00127-.00254 [.000050-.000100] NICKEL UNDERPLATE ALL OVER; .00127 [.000050] GOLD PLATE IN CONTACT AREA, TIN-LEAD PLATED SOLDER TAILS.
- 4 SOLDER TAILS MUST FIT HOLE PATTERN AS SHOWN ON THE RECOMMENDED P.C. BOARD LAYOUT.
- 5 DIMENSIONS IN BRACKETS ARE IN INCHES.
- 6 HOUSINGS WITH CENTER MOUNTING IS RECOMMENDED FOR ASSEMBLIES HAVING 75 CONTACTS PER ROW OR MORE.
- 7 MARK EVERY TENTH POST POSITION.
- 8 MARK ROW C AND FIRST-LAST POSITION IDENTIFICATION.
- 9 TOTAL NUMBER OF POSITIONS PER ROW \*.
- 10 MIL-C-55302 A AND B INSPECTION REQUIRED.

149.86 [5.900]	59	153.01 [6.024]	163.83 [6.450]	171.45 [6.750]	180	M55302/177-33	533914-6
137.16 [5.400]	54	140.31 [5.524]	151.13 [5.950]	158.75 [6.250]	165	M55302/177-29	533914-5
124.46 [4.900]	49	127.61 [5.024]	138.43 [5.450]	146.05 [5.750]	150	M55302-177-25	533914-4
99.06 [3.900]	39	102.21 [4.024]	113.03 [4.450]	120.65 [4.750]	120	M55302/177-17	533914-3
78.74 [3.100]	31	81.89 [3.224]	92.71 [3.650]	100.33 [3.950]	96	M55302/177-09	533914-2
60.96 [2.400]	24	64.11 [2.524]	74.93 [2.950]	82.55 [3.250]	75	M55302/177-01	533914-1
E	D	C	B	A	POSN	MILITARY	AMP
PART NUMBERS							

THIS DRAWING IS A CONTROLLED DOCUMENT.		DIN	T. HOFFMAN	3/13/92
DIMENSIONS: INCHES		CHK	G. SKIPPER	7/14/92
TOLERANCES UNLESS OTHERWISE SPECIFIED:		APVD		
0 PL	± .005	NAME		
1 PL	± .005	HDI, 3 ROW, RECEPTACLE ASSEMBLY,		
2 PL	± .005	4.57 [.180] LONG SOLDER TAILS,		
3 PL	± .013 [.005]	.00127 [.000050] GOLD PLATE		
4 PL	± .005	SIZE	CAGE CODE	DRAWING NO
ANGLES	± .005	A1	00779	533914
MATERIAL		WEIGHT		RESTRICTED TO
CUSTOMER DRAWING		SCALE	4:1	SHEET 2 OF 2
		REV	G1	