



Chipsmall Limited consists of a professional team with an average of over 10 year of expertise in the distribution of electronic components. Based in Hongkong, we have already established firm and mutual-benefit business relationships with customers from,Europe,America and south Asia,supplying obsolete and hard-to-find components to meet their specific needs.

With the principle of “Quality Parts,Customers Priority,Honest Operation,and Considerate Service”,our business mainly focus on the distribution of electronic components. Line cards we deal with include Microchip,ALPS,ROHM,Xilinx,Pulse,ON,Everlight and Freescale. Main products comprise IC,Modules,Potentiometer,IC Socket,Relay,Connector.Our parts cover such applications as commercial,industrial, and automotives areas.

We are looking forward to setting up business relationship with you and hope to provide you with the best service and solution. Let us make a better world for our industry!



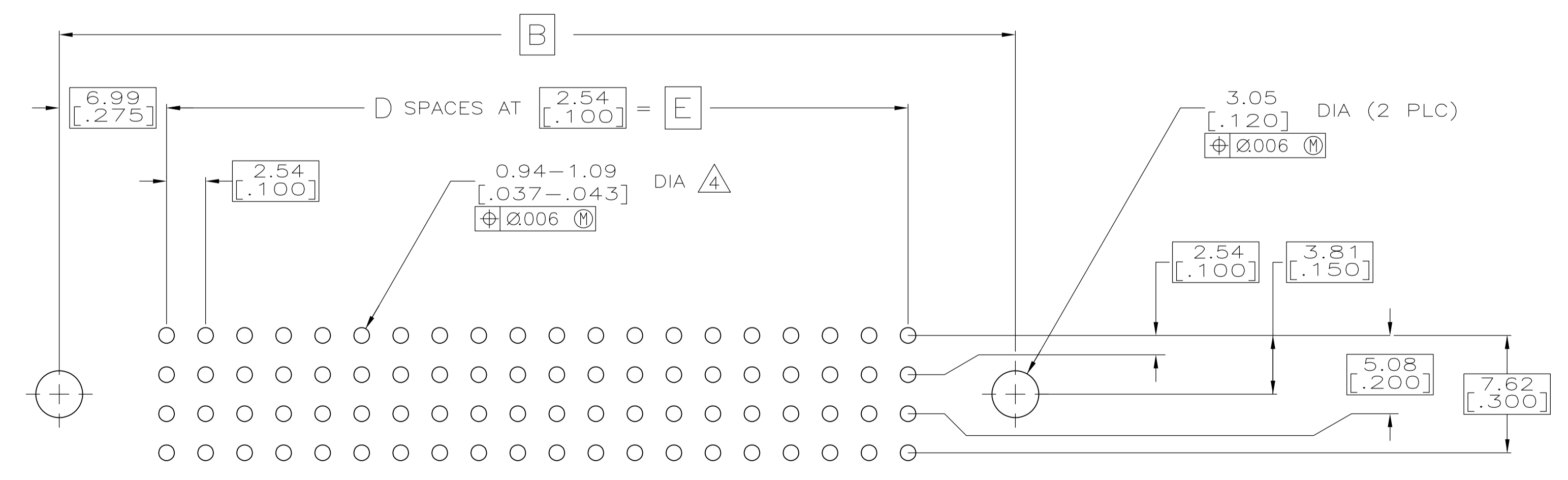
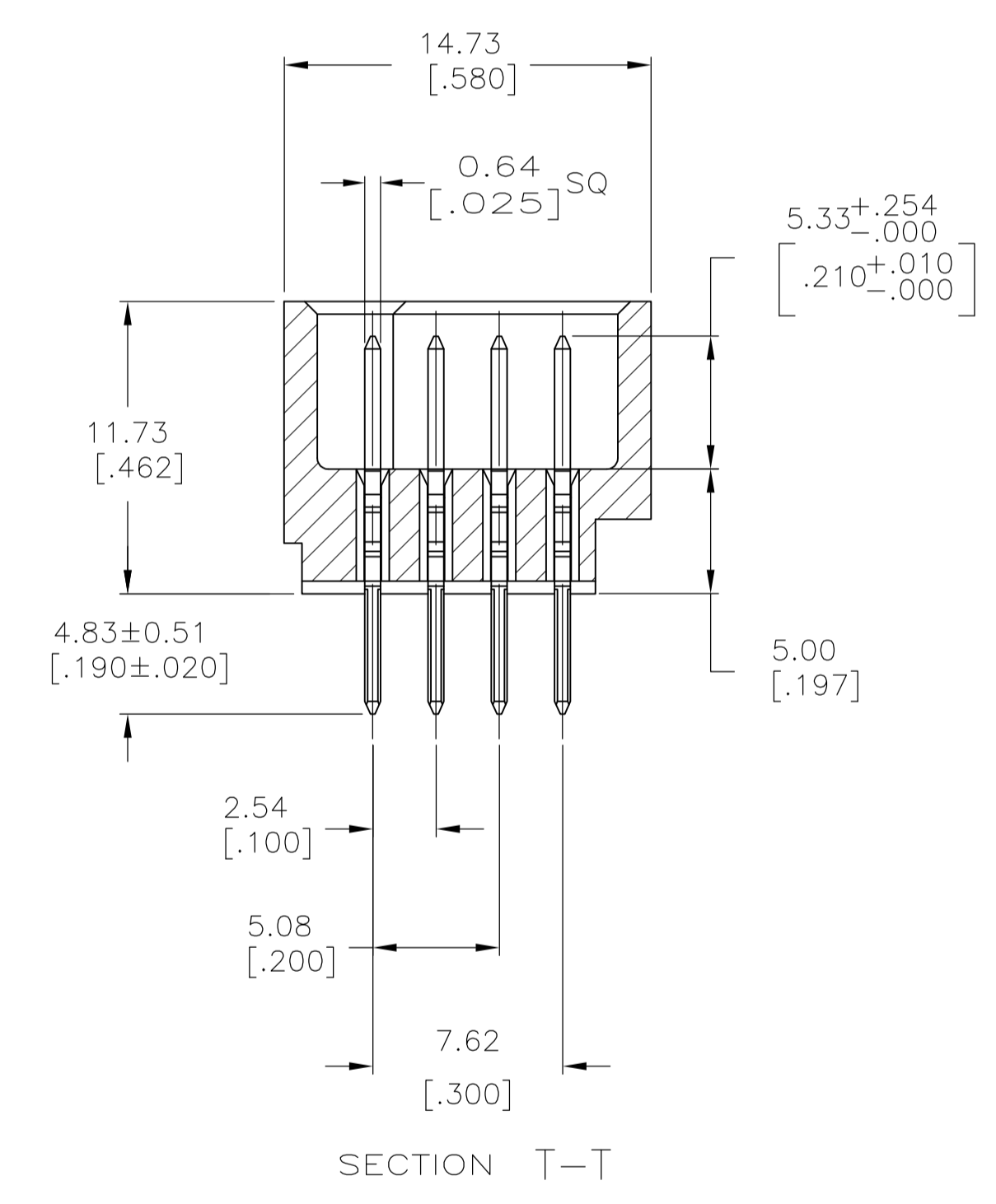
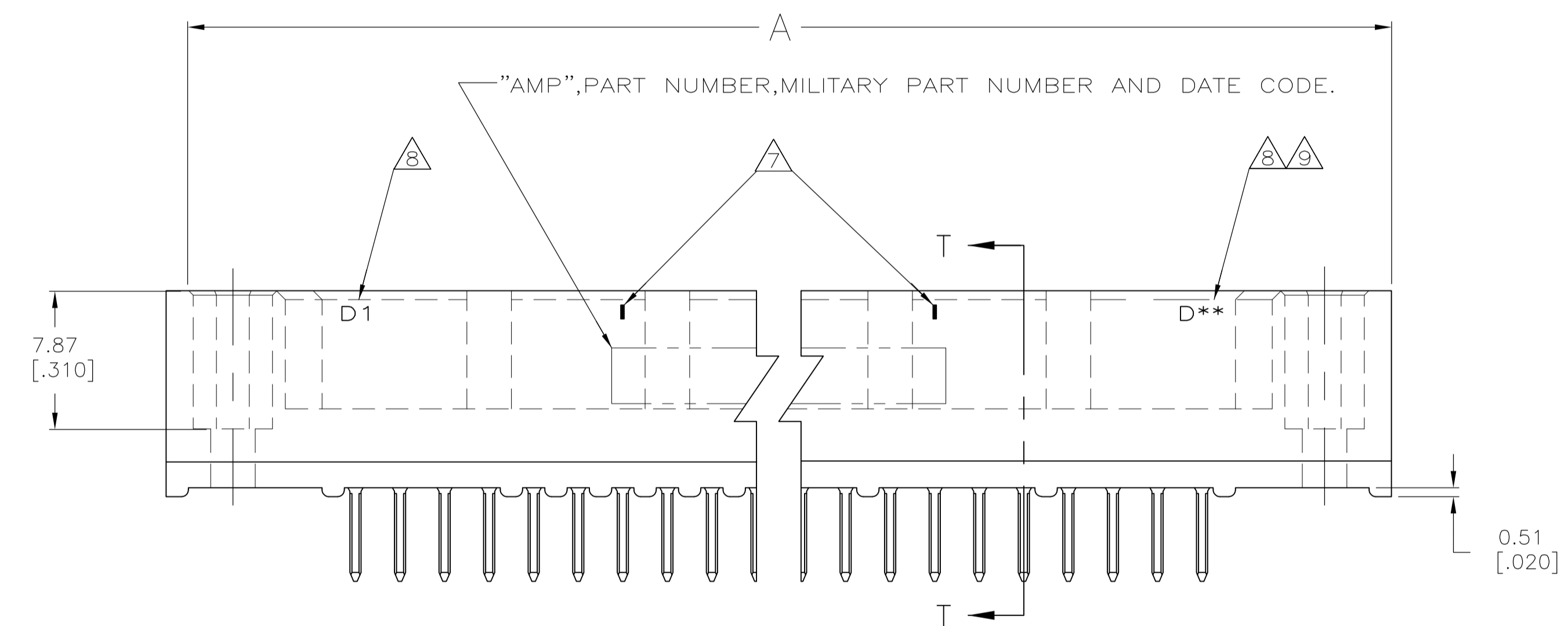
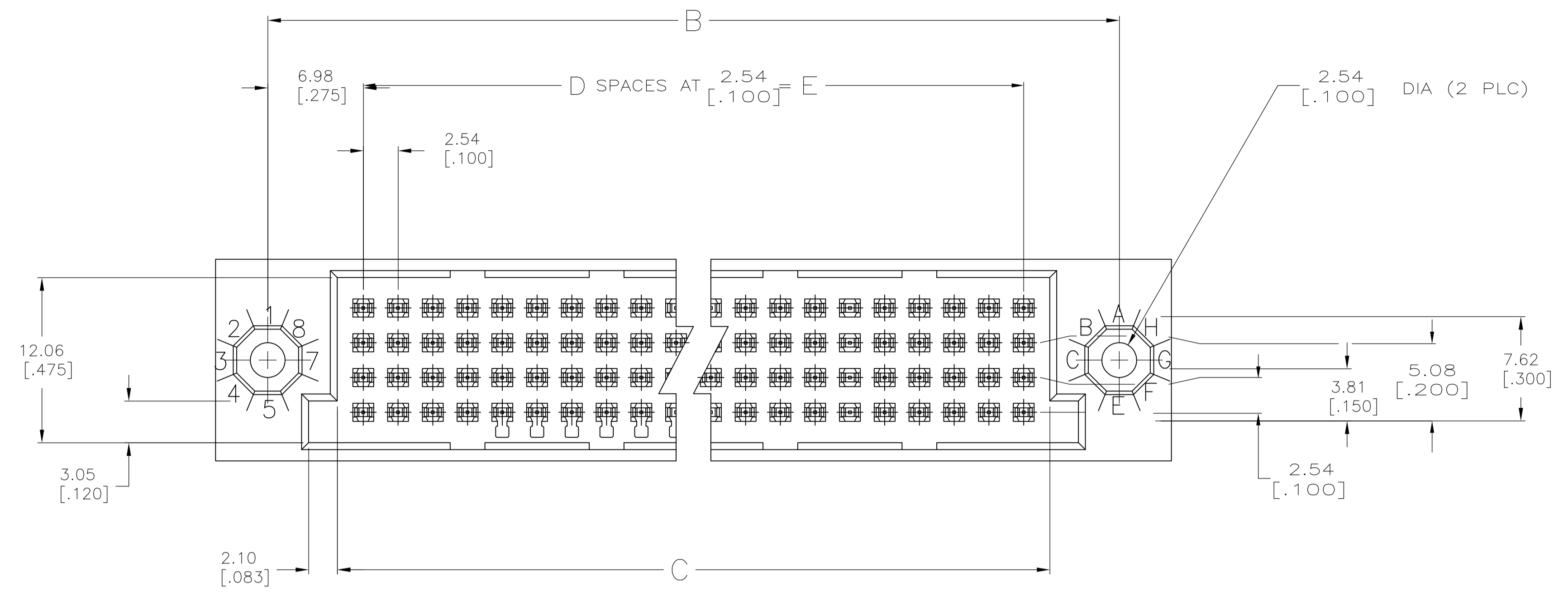
Contact us

Tel: +86-755-8981 8866 Fax: +86-755-8427 6832

Email & Skype: info@chipsmall.com Web: www.chipsmall.com

Address: A1208, Overseas Decoration Building, #122 Zhenhua RD., Futian, Shenzhen, China






RECOMMENDED P.C. BOARD LAYOUT

THIS DRAWING IS A CONTROLLED DOCUMENT.		DIN T. HOFFMAN 6/30/92		TE Connectivity	
DIMENSIONS: mm [INCHES]		CHK G. SKIPPER 7/14/92			
TOLERANCES UNLESS OTHERWISE SPECIFIED:		APVD		NAME	
0 PLC ± -		PRODUCT SPEC		HDI, 4 ROW, PIN ASSEMBLY, 4.83 [.190] LONG ACTION PINS, 0.00127 [.000050] GOLD PLATE	
1 PLC ± -		APPLICATION SPEC		SIZE CAGE CODE DRAWING NO. RESTRICTED TO	
2 PLC ± -		WEIGHT		A1 00779 C=533935	
3 PLC ± 0.13 [.005]		CUSTOMER DRAWING		SCALE 4:1 SHEET 1 OF 2 REV L1	
4 PLC ± -					
ANGLES ± -					
MATERIAL		FINISH			

LOC	DIST	REVISIONS			
AD	25	REV	DATE	BY	APPV
-	-	1	SEE SHEET 1	-	-

- 1 HOUSING MATERIAL: THERMOPLASTIC, COLOR-NATURAL.
- 2 CONTACT MATERIAL: PHOSPHOR BRONZE.
- 3 CONTACT FINISH: .00127-.00254 [.000050-.000100] NICKEL UNDERPLATE ALL OVER; .00127 [.000050] GOLD PLATE IN CONTACT AREA, TIN-LEAD PLATED POSTS.
- 4 SOLDER PIN POST RECOMMENDED P.C. BOARD HOLE SIZES ARE 0.94-1.09 [.037-.043]; RECOMMENDED PAD DIA IS 1.52 [.060].
- 5 DIMENSIONS IN BRACKETS ARE IN INCHES.
- 6 HOUSINGS WITH CENTER MOUNTING IS RECOMMENDED FOR ASSEMBLIES HAVING 75 CONTACTS PER ROW OR MORE.
- 7 MARK EVERY TENTH POST POSITION.
- 8 MARK ROW D AND FIRST-LAST POSITION IDENTIFICATION.
- 9 TOTAL NUMBER OF POSITIONS PER ROW.

144.78 [5.700]	57	148.59 [5.850]	158.75 [6.250]	166.37 [6.550]	232	-	1-533935-4
111.76 [4.400]	44	115.57 [4.550]	125.73 [4.950]	133.35 [5.250]	180	-	1-533935-3
86.36 [3.400]	34	90.17 [3.550]	100.33 [3.950]	107.95 [4.250]	140	-	1-533935-2
73.66 [2.900]	29	77.47 [3.050]	87.63 [3.450]	95.25 [3.750]	120	-	1-533935-1
187.96 [7.400]	74	191.77 [7.550]	201.93 [7.950]	209.55 [8.250]	300	M55302/179-114	1-533935-0
175.26 [6.900]	69	179.07 [7.050]	189.23 [7.450]	196.85 [7.750]	280	M55302/179-105	533935-9
-	-	-	-	-	-	-	533935-8
162.56 [6.400]	64	166.37 [6.550]	176.53 [6.950]	184.15 [7.250]	260	M55302/179-87	533935-7
149.86 [5.900]	59	153.67 [6.050]	163.83 [6.450]	171.45 [6.750]	240	M55302/179-78	533935-6
137.16 [5.400]	54	140.97 [5.550]	151.13 [5.950]	158.75 [6.250]	220	M55302/179-69	533935-5
124.46 [4.900]	49	128.27 [5.050]	138.43 [5.450]	146.05 [5.750]	200	M55302/179-60	533935-4
99.06 [3.900]	39	102.87 [4.050]	113.03 [4.450]	120.65 [4.750]	160	M55302/179-42	533935-3
78.74 [3.100]	31	82.55 [3.250]	92.71 [3.650]	100.33 [3.950]	128	M55302/179-24	533935-2
60.96 [2.400]	24	64.77 [2.550]	74.93 [2.950]	82.55 [3.250]	100	M55302/179-06	533935-1
E	D	C	B	A	POSN	MILITARY AMP	PART NUMBERS

THIS DRAWING IS A CONTROLLED DOCUMENT.		DIN T. HOFFMAN 6/30/92	 TE Connectivity	
DIMENSIONS: mm [INCHES]		CHK G. SKIPPER 7/14/92	NAME	
TOLERANCES UNLESS OTHERWISE SPECIFIED:		APVD	HDI, 4 ROW, PIN ASSEMBLY, 4.83 [.190] LONG ACTION PINS, .00127 [.000050] GOLD PLATE	
0 PLC ± -	1 PLC ± -	PRODUCT SPEC	SIZE	
2 PLC ± -	3 PLC ± 0.13 [.005]	APPLICATION SPEC	CAGE CODE DRAWING NO	
4 PLC ± -	ANGLES ± -	WEIGHT	A1 00779 C=533935	
MATERIAL	FINISH	CUSTOMER DRAWING	SCALE	SHEET
1 2	3		4:1	2 OF 2
			REV	1