



Chipsmall Limited consists of a professional team with an average of over 10 year of expertise in the distribution of electronic components. Based in Hongkong, we have already established firm and mutual-benefit business relationships with customers from,Europe,America and south Asia,supplying obsolete and hard-to-find components to meet their specific needs.

With the principle of “Quality Parts,Customers Priority,Honest Operation,and Considerate Service”,our business mainly focus on the distribution of electronic components. Line cards we deal with include Microchip,ALPS,ROHM,Xilinx,Pulse,ON,Everlight and Freescale. Main products comprise IC,Modules,Potentiometer,IC Socket,Relay,Connector.Our parts cover such applications as commercial,industrial, and automotives areas.

We are looking forward to setting up business relationship with you and hope to provide you with the best service and solution. Let us make a better world for our industry!



Contact us

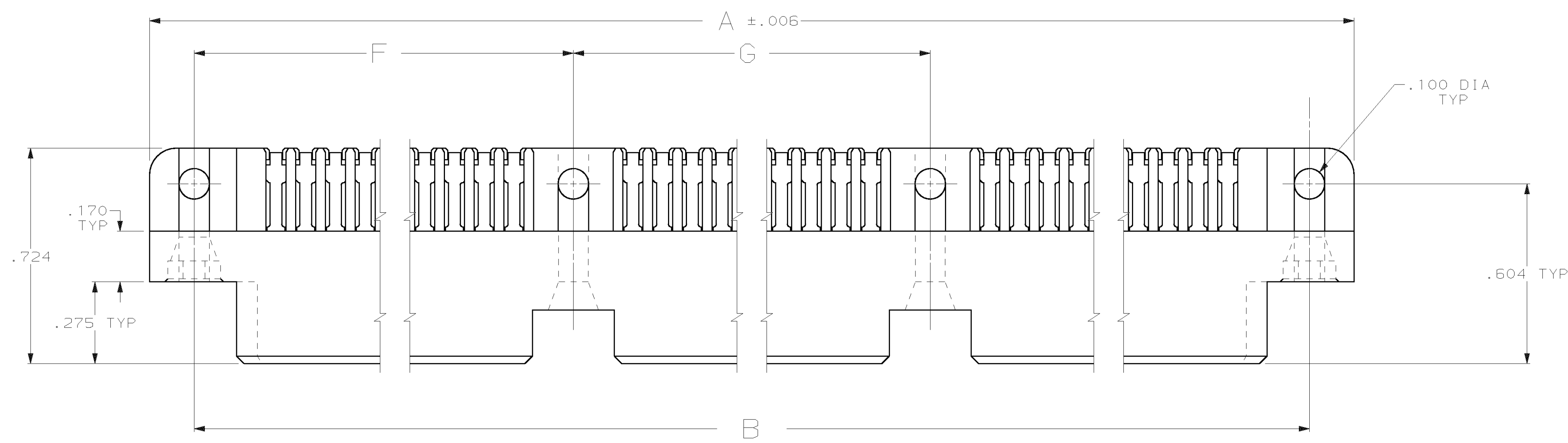
Tel: +86-755-8981 8866 Fax: +86-755-8427 6832

Email & Skype: info@chipsmall.com Web: www.chipsmall.com

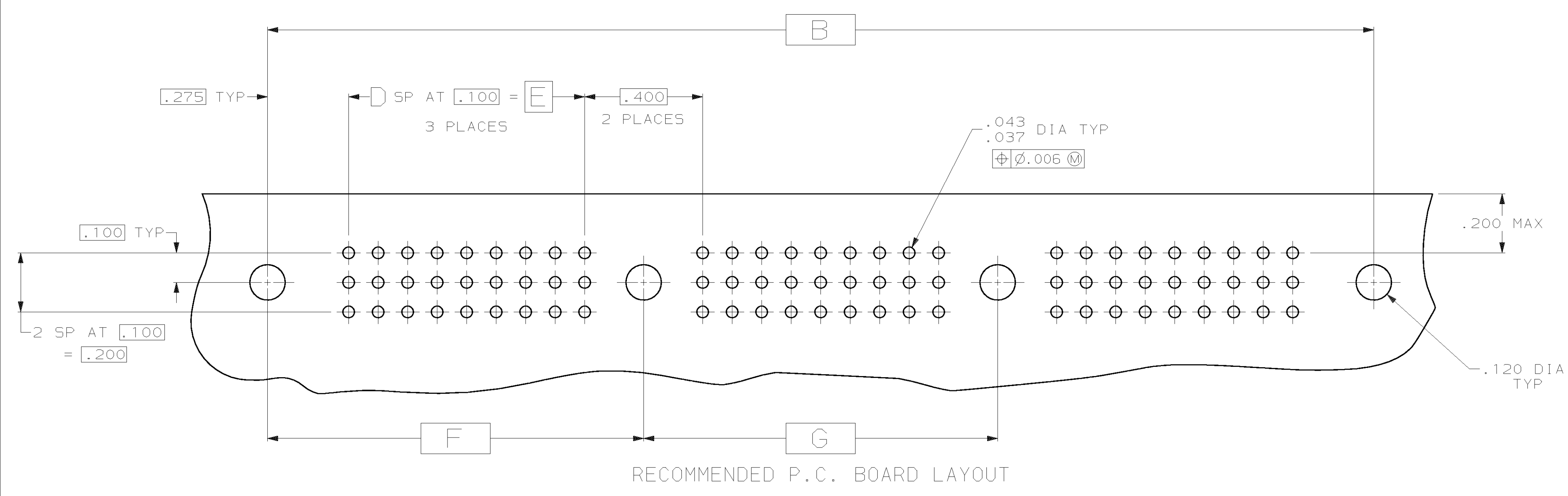
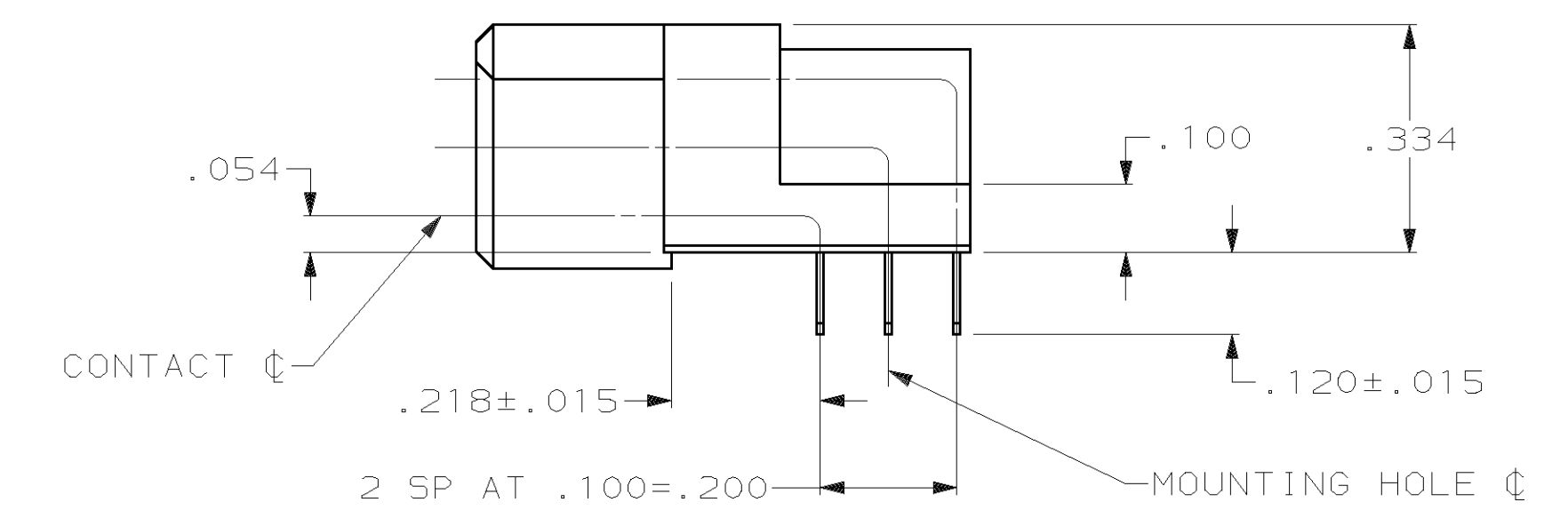
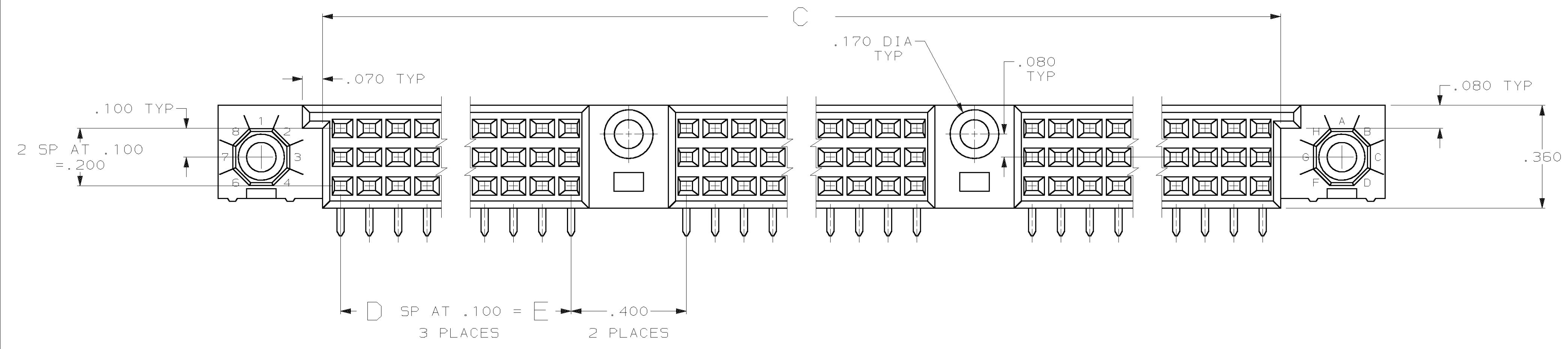
Address: A1208, Overseas Decoration Building, #122 Zhenhua RD., Futian, Shenzhen, China



LOC		DIST		REV		REVISIONS		
AD	25	P	F	ZONE	LTR	DESCRIPTION	DATE	APPD
					C	REDRAWN ON CAD PER ECN AD5477	6-13-91	-
					D	ADDED -3	8/6/92	TH
					E	REVISED PER ECN 0010-1013-93 T.S.	6-23-93	JW
					F	ECN. 0010-1684-94	11/17/94	NFS
					G	REV PER EC 001B-0199-01	14 NOV 01	WM



- ① HOUSING MATERIAL: THERMOPLASTIC, BLACK.
- ② CONTACT MATERIAL: BERYLLIUM COPPER.
- ③ CONTACT FINISH: .000050-.000100 NICKEL UNDERPLATE ALL OVER WITH .000030 GOLD IN CONTACT AREA AND .000100-.000200 TIN-LEAD PLATED POSTS.



	4.800	4.875	4.400	44	14.124	14.550	14.850	405	534042-3
	5.000	5.075	4.600	46	14.724	15.150	15.450	423	534042-2
OBSOLETE	4.600	4.675	4.200	42	13.524	13.950	14.250	387	534042-1
	G	F	E	D	C	B	A	NO OF POSN	PART NUMBER

DO NOT SCALE PRINT. UNLESS SPECIFIED DIMENSIONS IN INCHES TOLERANCES ON: 2 PLC DEC ± - 3 PLC DEC ± .005 ANGLES ± -	DR 6-13-91 J GALLUCCI B6 CHK 12/10/91 DAVID HOFFMAN APPD 12/10/91 WAYNE MILLHIMES APPD 12/10/91 VAN WEBSTER	AMP Incorporated Harrisburg, PA 17105-3608
MATERIAL	PRODUCT SPEC 108-1098	
FINISH	APPLICATION SPEC -	SIZE D
WEIGHT		CAGE CODE 00779
		DRAWING NO 534042
		SCALE 4:1
		SHEET 1 OF 1