



Chipsmall Limited consists of a professional team with an average of over 10 year of expertise in the distribution of electronic components. Based in Hongkong, we have already established firm and mutual-benefit business relationships with customers from,Europe,America and south Asia,supplying obsolete and hard-to-find components to meet their specific needs.

With the principle of "Quality Parts,Customers Priority,Honest Operation,and Considerate Service",our business mainly focus on the distribution of electronic components. Line cards we deal with include Microchip,ALPS,ROHM,Xilinx,Pulse,ON,Everlight and Freescale. Main products comprise IC,Modules,Potentiometer,IC Socket,Relay,Connector.Our parts cover such applications as commercial,industrial, and automotives areas.

We are looking forward to setting up business relationship with you and hope to provide you with the best service and solution. Let us make a better world for our industry!



Contact us

Tel: +86-755-8981 8866 Fax: +86-755-8427 6832

Email & Skype: info@chipsmall.com Web: www.chipsmall.com

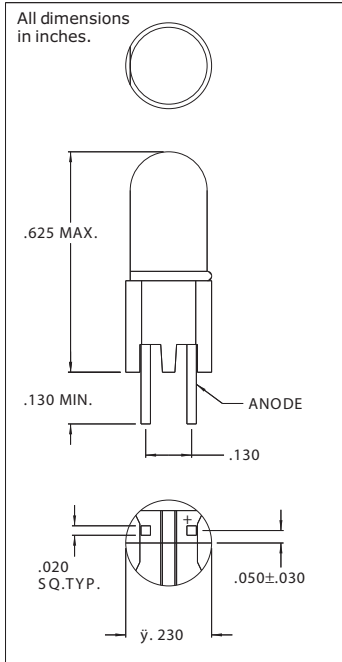
Address: A1208, Overseas Decoration Building, #122 Zhenhua RD., Futian, Shenzhen, China





5340 Series T-1 3/4 Vertical LED Assembly

DESCRIPTION AND FEATURES



Features

- Block mounting design assures height and side-by-side spacing alignment saves assembly costs.
- Super Brite T-1 3/4 LED Lamp, diffused wide angle viewing.
- Standoffs prevent flux entrapment.

Housing: Black Nylon, UL94V-O

ELECTRO-OPTICAL CHARACTERISTICS AND RATINGS

Part Number	Emitted Color	Typical Intensity (mcd)	Rated Current (mA)	Continuous Forward Current Max. (mA)	Reverse Breakdown Voltage Min. (V)	Forward Voltage		Peak Wavelength (nm)
						Typ. (V)	Max. (V)	
5340H1	Red	6.3	10	60	5	2.0	3.0	650
5340H3	Amber	10	10	60	5	2.0	3.0	608
5340H5	Green	10	10	60	5	2.2	3.0	563
5340H7	Yellow	6.3	10	60	5	2.2	3.0	585
5340H1LC	Red	2.3	2	7	5	1.8	2.2	635
5340H5LC	Green	2.3	2	7	5	1.8	2.2	562
5340H7LC	Yellow	2.1	2	7	5	1.9	2.7	585
5340H1-5V	Red	8	10	15	5	5	7.5	635
5340H3-5V	Amber	8	10	15	5	5	7.5	583
5340H5-5V	Green	8	10	15	5	5	7.5	565

147 Central Avenue
 Hackensack, NJ 07601
 Phone: (201) 489-8989
 Fax: (201) 489-6911

18703 Dix Toledo Road
 Brownstown, MI 48193

Saret Zone Franca, Edificio B
 Alajuela Costa Rica

E-mail: sales@chml.com • Web Site: www.chml.com