



Chipsmall Limited consists of a professional team with an average of over 10 year of expertise in the distribution of electronic components. Based in Hongkong, we have already established firm and mutual-benefit business relationships with customers from,Europe,America and south Asia,supplying obsolete and hard-to-find components to meet their specific needs.

With the principle of “Quality Parts,Customers Priority,Honest Operation,and Considerate Service”,our business mainly focus on the distribution of electronic components. Line cards we deal with include Microchip,ALPS,ROHM,Xilinx,Pulse,ON,Everlight and Freescale. Main products comprise IC,Modules,Potentiometer,IC Socket,Relay,Connector.Our parts cover such applications as commercial,industrial, and automotives areas.

We are looking forward to setting up business relationship with you and hope to provide you with the best service and solution. Let us make a better world for our industry!



Contact us

Tel: +86-755-8981 8866 Fax: +86-755-8427 6832

Email & Skype: info@chipsmall.com Web: www.chipsmall.com

Address: A1208, Overseas Decoration Building, #122 Zhenhua RD., Futian, Shenzhen, China



4

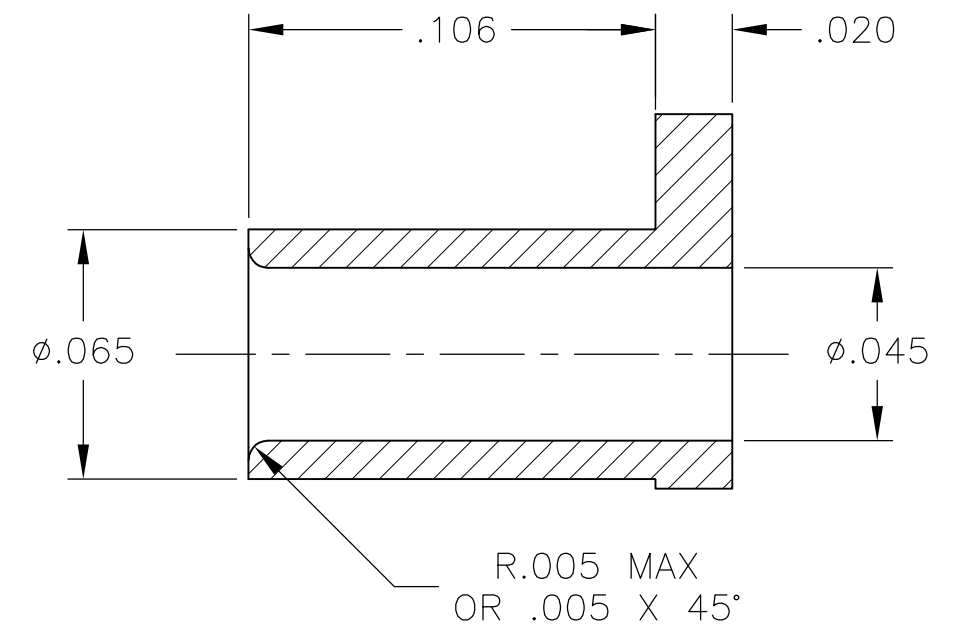
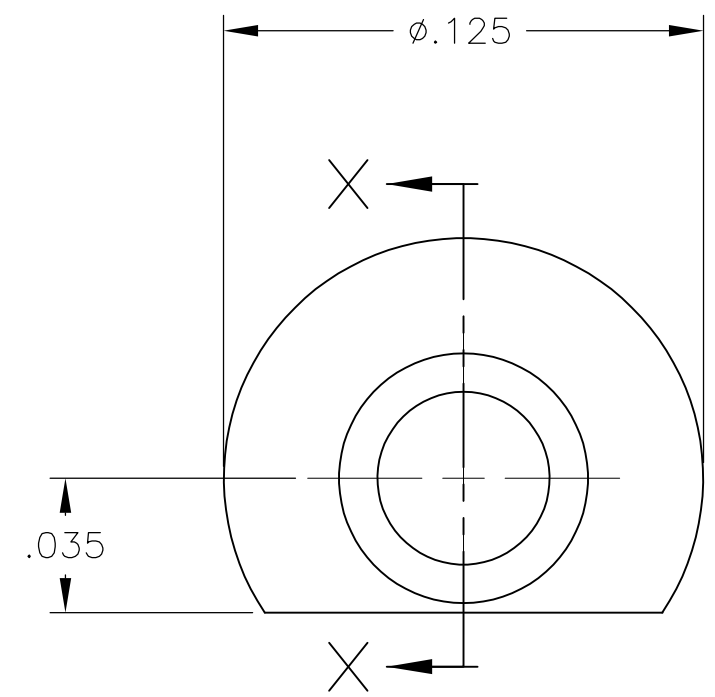
3

2

1

THIS DRAWING IS UNPUBLISHED. RELEASED FOR PUBLICATION
 © COPYRIGHT - By - ALL RIGHTS RESERVED.

LOC		DIST		REVISIONS			
P	LTR	DESCRIPTION		DATE	DWN	APVD	
	C	REV PER ECO 11-015051		7-22-11	CT	DH	



SECTION X-X

- 1 MATL: BRASS
- 2 FINISH: .000030 MIN NICKEL PLATED.

1	2	534164-2
AS SHOWN		534164-1
DESCRIPTION		PART NUMBER

THIS DRAWING IS A CONTROLLED DOCUMENT.		DWN	T. THOMPSON	01-10-95	STE TE Connectivity		
DIMENSIONS: INCHES		CHK	D. GUTTER	01-23-94			
TOLERANCES UNLESS OTHERWISE SPECIFIED:		APVD	D. GUTTER	01-23-94	NAME		
0 PLC ± -		PRODUCT SPEC		KEY, RIVET, MINI-BOX PIN HEADER CONNECTOR			
1 PLC ± -		APPLICATION SPEC		RESTRICTED TO			
2 PLC ± -		WEIGHT		-			
3 PLC ± .005		CUSTOMER DRAWING		SCALE	20:1	SHEET	1 OF 1
4 PLC ± -		MATERIAL		A3 00779 C-534164		REV	C
ANGLES ± -		FINISH		-			