



Chipsmall Limited consists of a professional team with an average of over 10 year of expertise in the distribution of electronic components. Based in Hongkong, we have already established firm and mutual-benefit business relationships with customers from,Europe,America and south Asia,supplying obsolete and hard-to-find components to meet their specific needs.

With the principle of "Quality Parts,Customers Priority,Honest Operation,and Considerate Service",our business mainly focus on the distribution of electronic components. Line cards we deal with include Microchip,ALPS,ROHM,Xilinx,Pulse,ON,Everlight and Freescale. Main products comprise IC,Modules,Potentiometer,IC Socket,Relay,Connector.Our parts cover such applications as commercial,industrial, and automotives areas.

We are looking forward to setting up business relationship with you and hope to provide you with the best service and solution. Let us make a better world for our industry!



Contact us

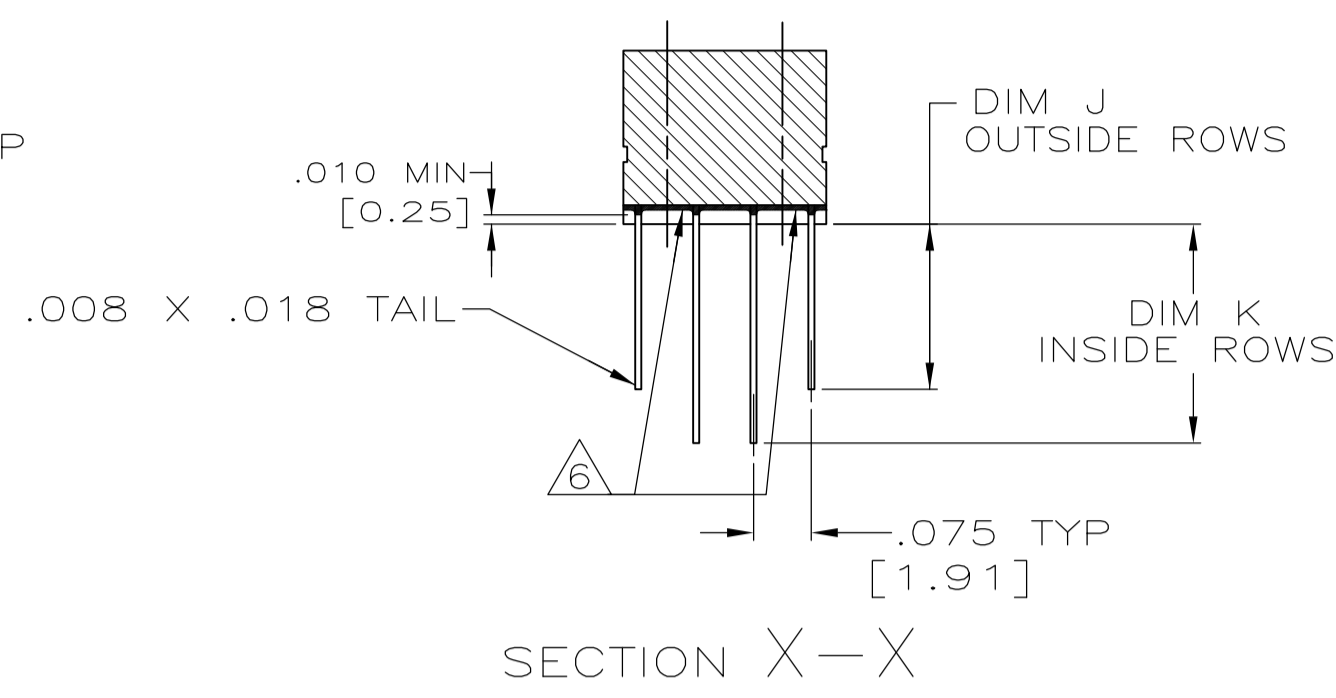
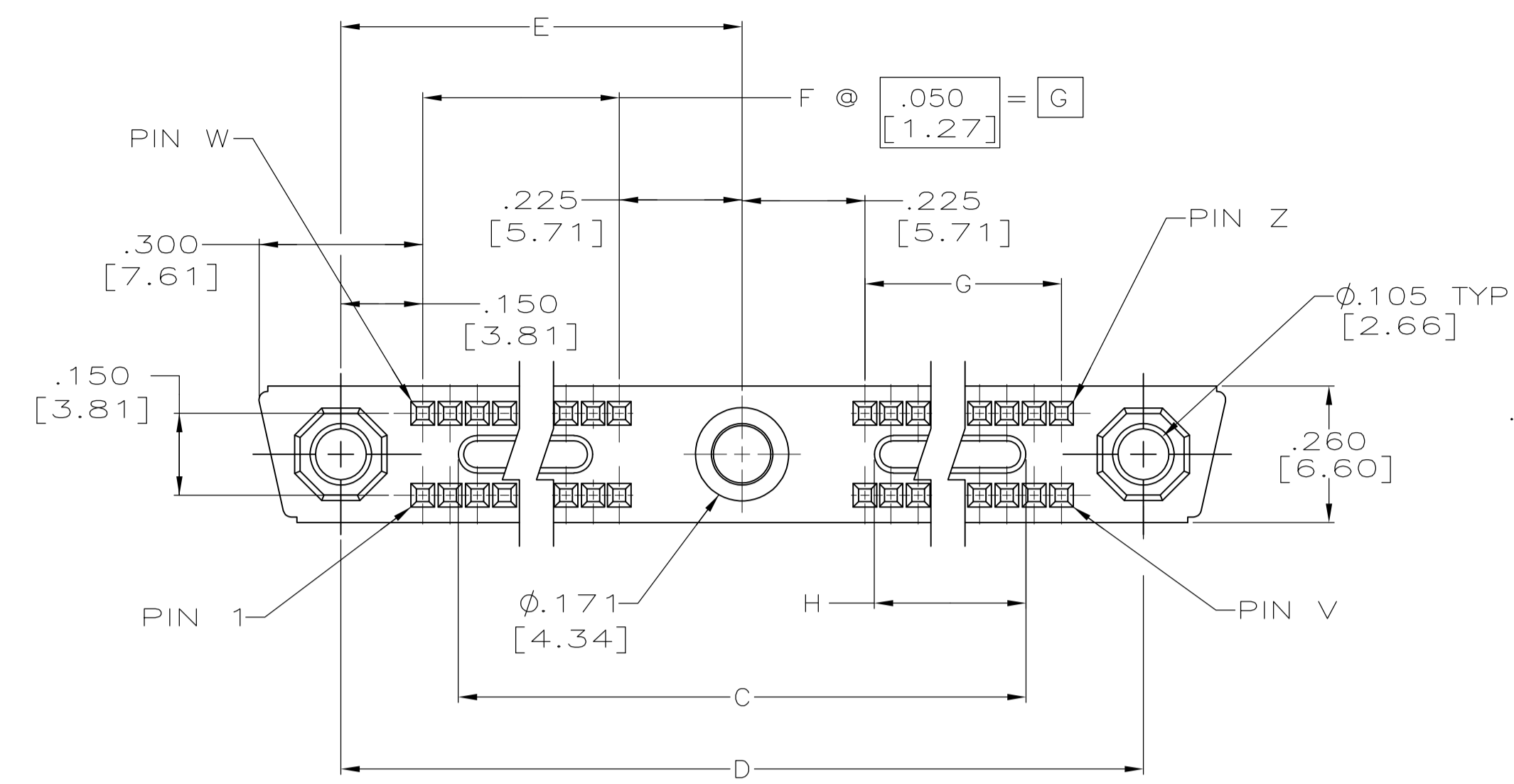
Tel: +86-755-8981 8866 Fax: +86-755-8427 6832

Email & Skype: info@chipsmall.com Web: www.chipsmall.com

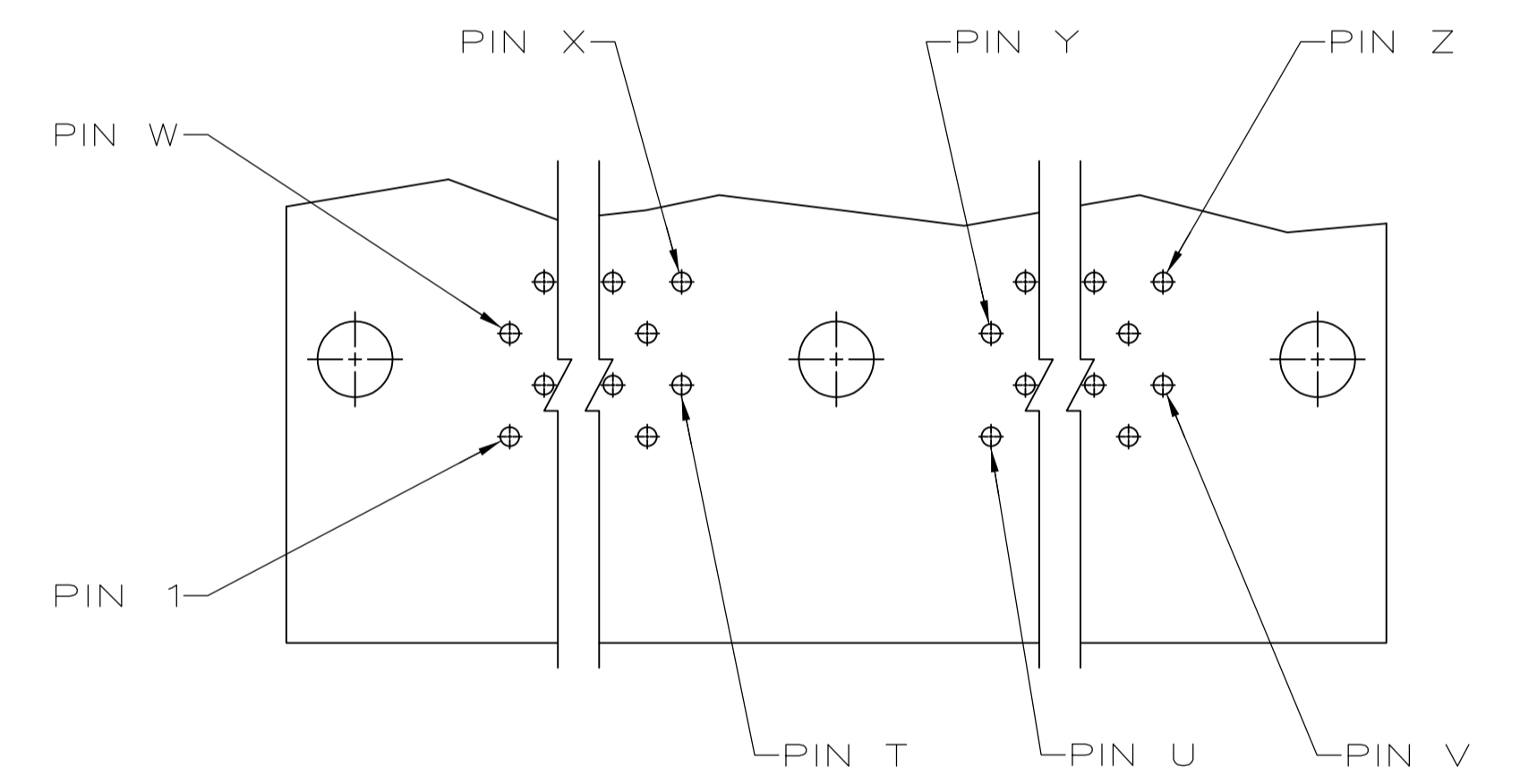
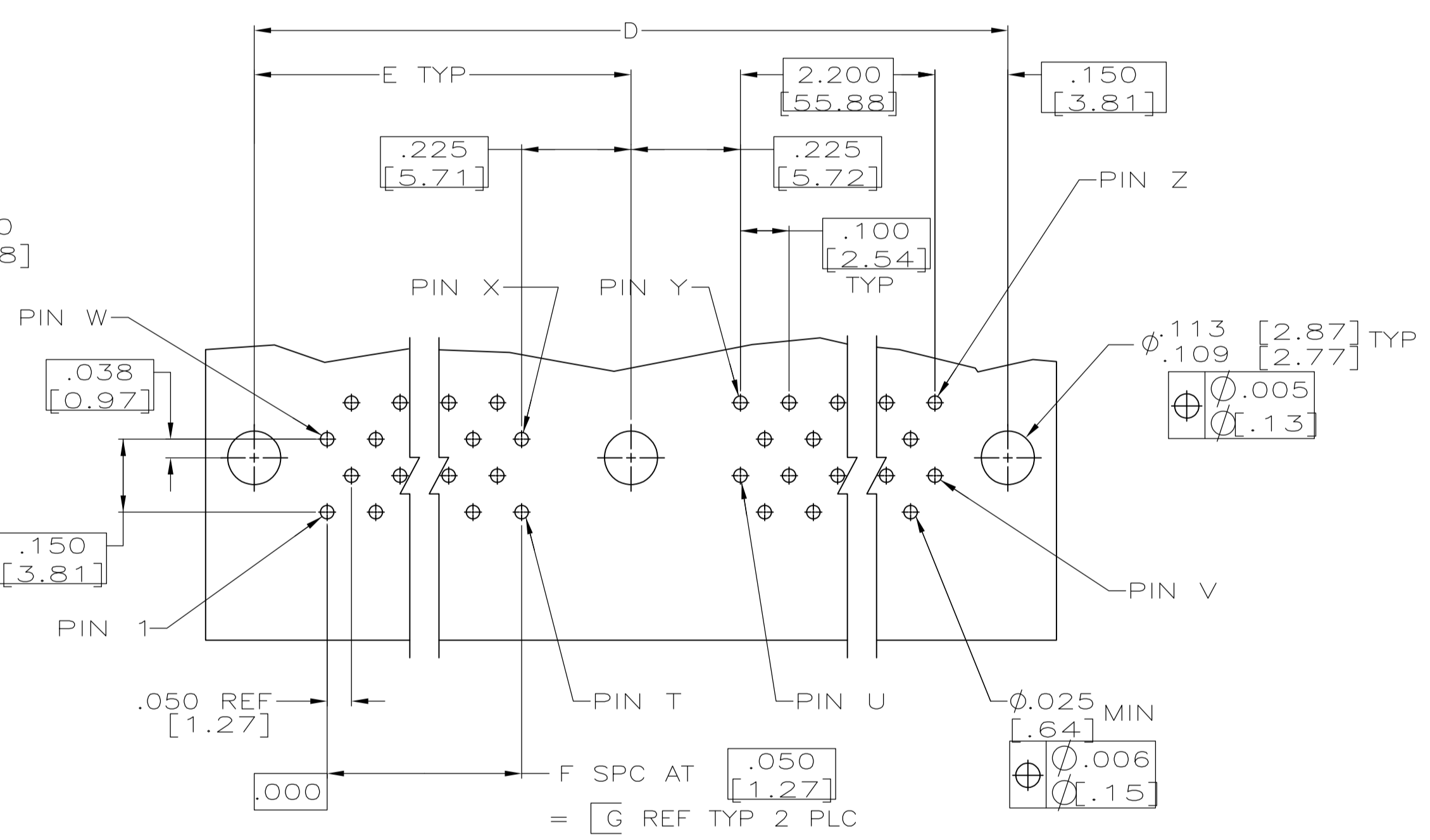
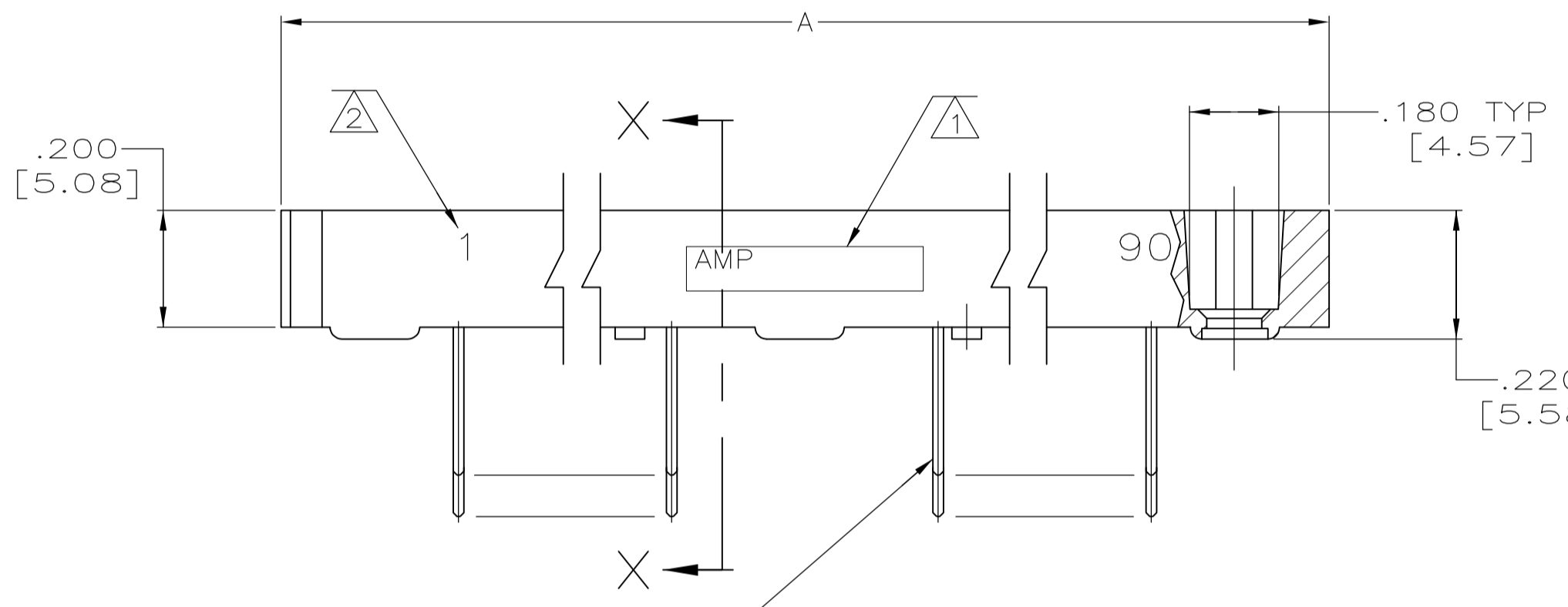
Address: A1208, Overseas Decoration Building, #122 Zhenhua RD., Futian, Shenzhen, China



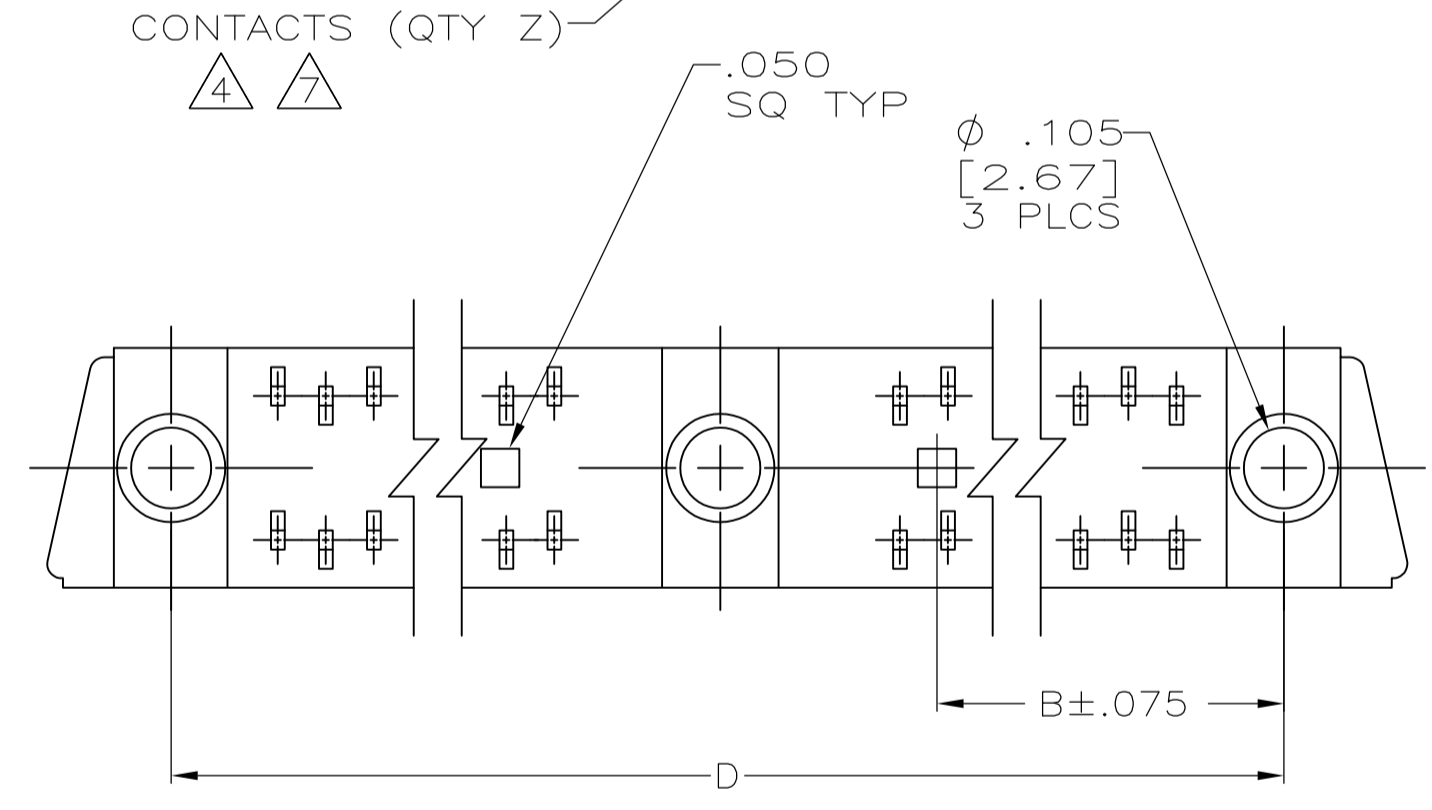
LOC		DIST		REVISIONS			
P	LTR	DESCRIPTION	DATE	DWN	APVD		
P	REV PER ECO-09-025771		14DEC09	PY	DW		



- ① AMP, AMP PART NO. AND DATE CODE MARKED IN THIS APPROXIMATE AREA.
- ② NUMBERS INDICATING END POSITIONS MARKED THIS SIDE ONLY.
- ③ MEETS ALL APPLICABLE REQUIREMENTS OF MIL-C-55302.
- ④ FINISH: .000050[0.0012] GOLD PER MIL-G-45204 OVER NICKEL PER QQ-N-290 IN CONTACT AREA. REMAINDER OF CONTACT TIN-LEAD OVER NICKEL.
- ⑤ HOUSING MATERIAL: LIQUID CRYSTAL POLYMER PER MIL-M-24519, GLCP-30F; COLOR: GRAY.
- ⑥ EPOXY IS ADDED TO BOTTOM OF HOUSING FOR INCREASED CONTACT RETENTION.
- ⑦ CONTACT MATERIAL: PHOS BRONZE PER QQ-B-750



RECOMMENDED PRINTED CIRCUIT BOARD LAYOUT
 (CONNECTOR SIDE)
 FOOT PRINT STYLE II
 (SEE TABLE)



RECOMMENDED PRINTED CIRCUIT BOARD LAYOUT
 (CONNECTOR SIDE)
 FOOT PRINT STYLE I
 (SEE TABLE)

OBS		I	I	160	121	120	81	80	41	40	1 & 80	.190 [4.83]	.140 [3.56]	1.800 [45.72]	1.950 [49.53]	39	2.325 [59.06]	4.650 [118.11]	4.200 [106.68]	1.162 [29.51]	4.950 [125.73]	160	534179-9
⑤	I	I	I	200	151	150	101	100	51	50	1 & 100	.300 [7.62]	.230 [5.84]	2.300 [58.42]	2.450 [62.23]	49	2.825 [71.76]	5.650 [143.51]	5.200 [132.08]	1.413 [35.89]	5.950 [151.13]	200	534179-8
⑥	I	I	I	192	145	144	97	96	49	48	1 & 96	.300 [7.62]	.230 [5.84]	2.200 [55.88]	2.350 [59.69]	47	2.725 [69.22]	5.450 [138.43]	5.000 [127.00]	1.362 [34.59]	5.750 [146.05]	192	534179-7
⑦	I	I	I	180	136	135	91	90	46	45	1 & 90	.300 [7.62]	.230 [5.84]	2.050 [52.07]	2.200 [55.88]	44	2.575 [65.41]	5.150 [130.81]	4.700 [119.38]	1.287 [32.69]	5.450 [138.43]	180	534179-6
⑧	I	I	I	172	130	129	87	86	44	43	1 & 86	.300 [7.62]	.230 [5.84]	1.950 [49.53]	2.100 [53.34]	42	2.475 [62.87]	4.950 [125.73]	4.500 [114.30]	1.237 [31.42]	5.250 [133.35]	172	534179-5
⑨	I	I	I	160	121	120	81	80	41	40	1 & 80	.300 [7.62]	.230 [5.84]	1.800 [45.72]	1.950 [49.53]	39	2.325 [59.06]	4.650 [118.11]	4.200 [106.68]	1.162 [29.51]	4.950 [125.73]	160	534179-4
⑩	I	I	I	152	115	114	77	76	39	38	1 & 76	.300 [7.62]	.230 [5.84]	1.700 [43.18]	1.850 [46.99]	37	2.225 [56.52]	4.450 [113.03]	4.000 [101.60]	1.062 [26.97]	4.750 [120.65]	152	534179-3
⑪	I	I	I	140	106	105	71	70	36	35	1 & 70	.300 [7.62]	.230 [5.84]	1.550 [39.37]	1.700 [43.18]	34	2.075 [52.71]	4.150 [105.41]	3.700 [93.98]	1.037 [26.34]	4.450 [113.03]	140	534179-2
⑫	I	I	I	132	100	99	67	66	34	33	1 & 66	.300 [7.62]	.230 [5.84]	1.450 [36.83]	1.600 [40.64]	32	1.975 [50.17]	3.950 [100.33]	3.500 [88.90]	.987 [25.07]	4.250 [107.95]	132	534179-1
REMARKS	FOOT PRINT STYLE	Z	Y	X	W	V	U	T	CONTACT IDENT NUMBERS		K ± .015 [±0.38]	J ± .015 [±0.38]	H	G	F	E	D	C	B	A	NUMBER OF CONTACTS	PART NUMBER	

THIS DRAWING IS A CONTROLLED DOCUMENT.

DIMENSIONS: INCHES	TOLERANCES UNLESS OTHERWISE SPECIFIED:	DIN T. ALEXANDER 9-16-94	Tyco Electronics Corporation Harrisburg, PA 17105-3608
0 PLC ± -	1 PLC ± -	9-20-94	
2 PLC ± -	3 PLC ± .010 [0.13]	9-20-94	RECEPTACLE ASSEMBLY, EXTENDED MINI-BOX WITH LOW FORCE CONTACTS, SPECIAL
4 PLC ± -	ANGLES ± 0°30'		SIZE: A1
MATERIAL	FINISH	APPROVED: D. GUTTER	NAME: D. GUTTER
⑤	⑦	④	RECEIVED TO

SCALE: 4:1 SHEET 1 OF 1 REV P