



Chipsmall Limited consists of a professional team with an average of over 10 year of expertise in the distribution of electronic components. Based in Hongkong, we have already established firm and mutual-benefit business relationships with customers from,Europe,America and south Asia,supplying obsolete and hard-to-find components to meet their specific needs.

With the principle of “Quality Parts,Customers Priority,Honest Operation,and Considerate Service”,our business mainly focus on the distribution of electronic components. Line cards we deal with include Microchip,ALPS,ROHM,Xilinx,Pulse,ON,Everlight and Freescale. Main products comprise IC,Modules,Potentiometer,IC Socket,Relay,Connector.Our parts cover such applications as commercial,industrial, and automotives areas.

We are looking forward to setting up business relationship with you and hope to provide you with the best service and solution. Let us make a better world for our industry!



## Contact us

Tel: +86-755-8981 8866 Fax: +86-755-8427 6832

Email & Skype: info@chipsmall.com Web: www.chipsmall.com

Address: A1208, Overseas Decoration Building, #122 Zhenhua RD., Futian, Shenzhen, China



# Board Level Cooling – Channel 5342

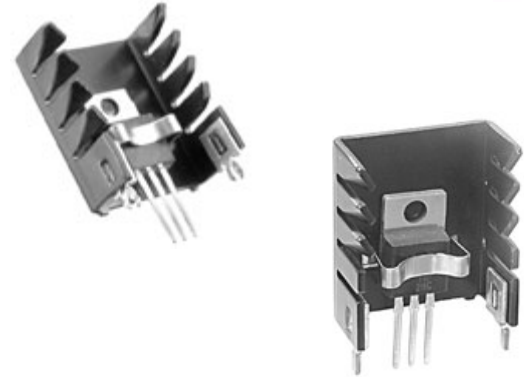


## BOARD LEVEL COOLING – Channel 5342

Channel 5342 is a series of channel board level heat sinks designed to cool TO-220 and TO-220-single gauge devices. Representative image only.

## ORDERING INFORMATION

Part Number	Device Type
534202B02853G	TO-220, TO-220-single gauge
534202B03453G	TO-220, TO-220-single gauge
534202B33453G	TO-220, TO-220-single gauge



## HEAT SINK DETAILS

Property	Details
Material	Aluminum
Finishing	Black Anodize
Device Attachment Options	Kool Clip (Included)
Thermal Interface Material	-

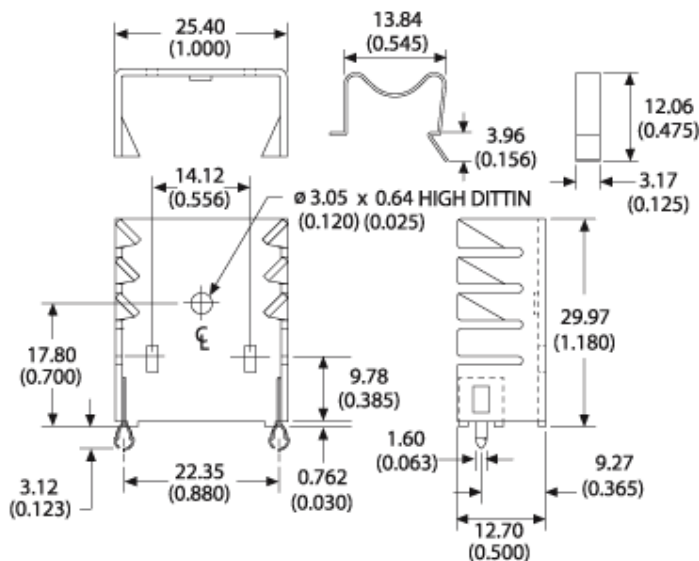
Property	Details
Heat Sink Width (mm)	25.40
Heat Sink Length (mm)	12.70
Heat Sink Height (mm)	29.97
Heat Sink Mounting Direction	Vertical

## MECHANICAL & PERFORMANCE

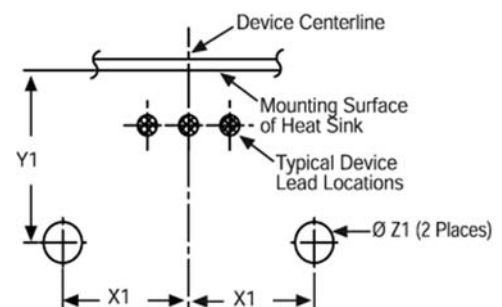
Drawing dimensions are shown in mm, (in)

Part Number	"X" Dim	"Y" Dim	"Z" Dim
534202B02853G	11.18 (0.440)	8.00 (0.315)	2.39 (0.094)
534202B03453G	11.96 (0.471)	8.89 (0.350)	2.39 (0.094)
534202B33453G	11.84 (0.466)	8.89 (0.350)	2.39 (0.094)

Part Number: 534202B02853G

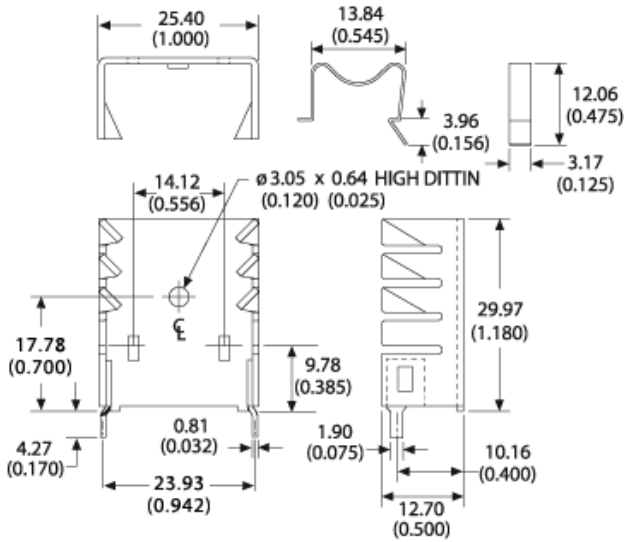


Mounting Details:

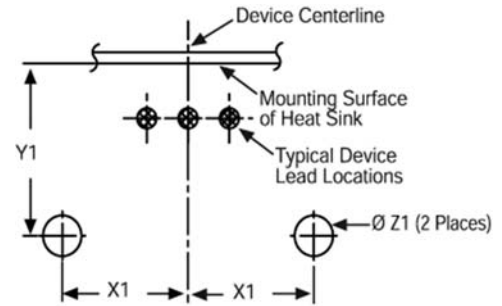


# Board Level Cooling – Channel 5342

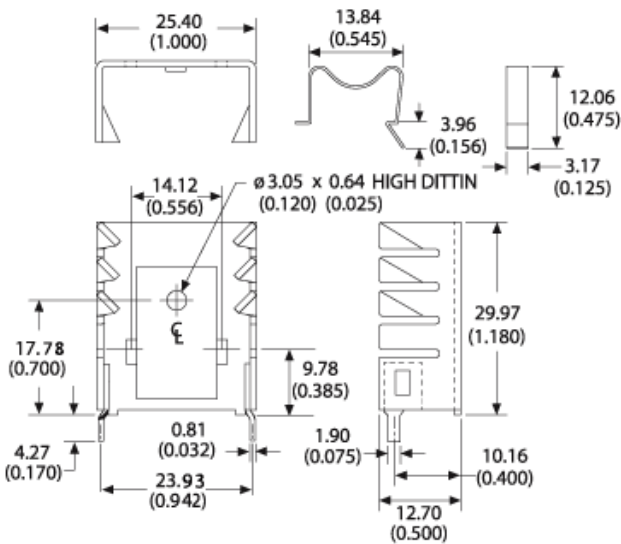
Part Number: 534202B03453G



Mounting Details:



Part Number: 534202B33453G



Mounting Details:

