



Chipsmall Limited consists of a professional team with an average of over 10 year of expertise in the distribution of electronic components. Based in Hongkong, we have already established firm and mutual-benefit business relationships with customers from,Europe,America and south Asia,supplying obsolete and hard-to-find components to meet their specific needs.

With the principle of “Quality Parts,Customers Priority,Honest Operation,and Considerate Service”,our business mainly focus on the distribution of electronic components. Line cards we deal with include Microchip,ALPS,ROHM,Xilinx,Pulse,ON,Everlight and Freescale. Main products comprise IC,Modules,Potentiometer,IC Socket,Relay,Connector.Our parts cover such applications as commercial,industrial, and automotives areas.

We are looking forward to setting up business relationship with you and hope to provide you with the best service and solution. Let us make a better world for our industry!



Contact us

Tel: +86-755-8981 8866 Fax: +86-755-8427 6832

Email & Skype: info@chipsmall.com Web: www.chipsmall.com

Address: A1208, Overseas Decoration Building, #122 Zhenhua RD., Futian, Shenzhen, China



THIS DRAWING IS A CONTROLLED DOCUMENT FOR AMP INCORPORATED.
IT IS SUBJECT TO CHANGE AND THE CONTROLLING ENGINEERING
ORGANIZATION SHOULD BE CONTACTED FOR THE LATEST REVISION.

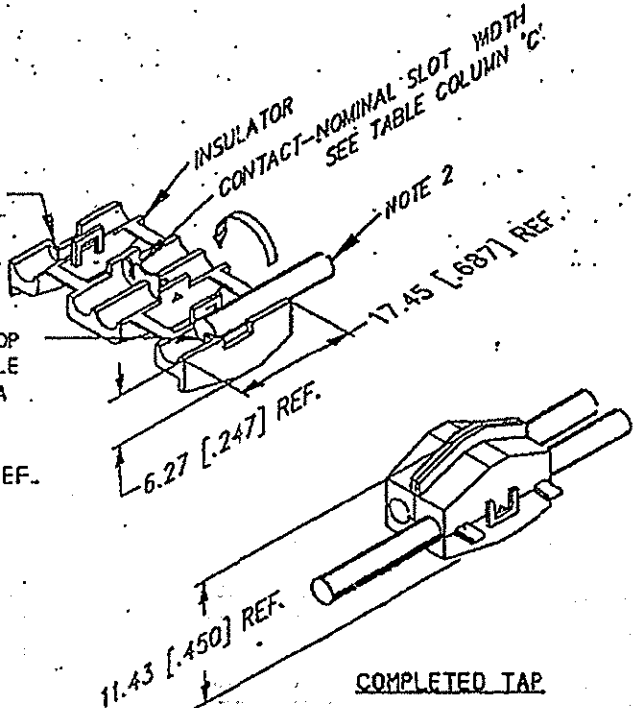
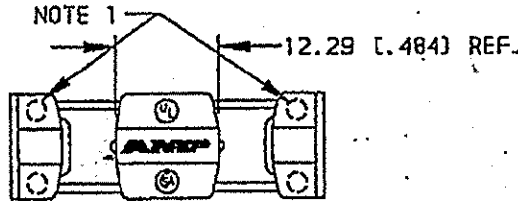
DRAWING MADE IN THIRD ANGLE PROJECTION

LOC		DIST		REVISIONS			
LTR	DESCRIPTION	DATE	APPROVED				
G	25	P	F	L	REV; EC 0230-0327-95	03SEPT96	DS/EH
				M	REV PER 033A-0255-03	23APR03	JR/TM

- NOTES:
1. DOTTED CIRCLES SHOW APPROX. LOCATION OF WIRE RANGE IDENTIFIERS.
 2. 4.06 (.160) MAX. INSULATION DIA.
 3. UL AND CSA LOGOS TO APPEAR ON HOUSING AS SHOWN.
 4. * PART NUMBER OBSOLETE.
 5. 100 PIECES IN A BOX.
 6. 5 PIECES IN A PRINTED POLY BAG WITH A PEG HOLE.

WIRE STOP
SEE TABLE
COLUMN B.

WIRE STOP
SEE TABLE
COLUMN A.



53440-2 PER NOTE 6	0.51	[.020]	NO	YES	RED	0.5-0.8	[20-18]	1-53440-0* OBS.
53440-2 PER NOTE 5	0.51	[.020]	NO	YES	RED	0.5-0.8	[20-18]	53440-9
53440-1 PER NOTE 6	0.71	[.020]	NO	YES	BLUE	0.8-2	[18-14]	53440-8* OBS.
53440-1 PER NOTE 5	0.71	[.028]	NO	YES	BLUE	0.8-2	[18-14]	53440-7
OBSOLETE	0.51	[.020]	NO	NO	RED	0.5-0.8	[20-18]	53440-6*
OBSOLETE	0.71	[.028]	NO	NO	BLUE	0.8-2	[18-14]	53440-5*
OBSOLETE	0.71	[.028]	YES	YES	BLUE	0.8-2	[18-14]	53440-4*
OBSOLETE	0.51	[.020]	YES	YES	RED	0.5-0.8	[20-18]	53440-3*
	0.51	[.020]	NO	YES	RED	0.5-0.8	[20-18]	53440-2
	0.71	[.028]	NO	YES	BLUE	0.8-2	[18-14]	53440-1

PACKAGING	C	B	A	COLOR	mm ² WIRE SIZE	ANG	PART NO
-----------	---	---	---	-------	---------------------------	-----	---------

DO NOT SCALE PRINT.
UNLESS SPECIFIED
DIMENSIONS IN mm (IN)
TOLERANCES ON:
2 PLC DEC ±
3 PLC DEC ±
ANGLES ±

DR MIDDLETOWN CAD
8/23/90
CHK B.J.H.
4-20-92
APPD

AMP AMP Incorporated
Harrisburg, PA 17105-3608

MATERIAL
BRASS (MIL-C-50)
ON (MIL-M-20693A)

APPD F. HARRIS
8/90
PRODUCT SPEC

NAME
ELECTRO - TAP

FINISH
AMP SPEC 112-16

APPLICATION SPEC
WEIGHT 2.18 g

SIZE **A** CAGE CODE 00779 DRAWING NO C-53440
SCALE NTS SHEET 1 of 1