



Chipsmall Limited consists of a professional team with an average of over 10 year of expertise in the distribution of electronic components. Based in Hongkong, we have already established firm and mutual-benefit business relationships with customers from,Europe,America and south Asia,supplying obsolete and hard-to-find components to meet their specific needs.

With the principle of “Quality Parts,Customers Priority,Honest Operation,and Considerate Service”,our business mainly focus on the distribution of electronic components. Line cards we deal with include Microchip,ALPS,ROHM,Xilinx,Pulse,ON,Everlight and Freescale. Main products comprise IC,Modules,Potentiometer,IC Socket,Relay,Connector.Our parts cover such applications as commercial,industrial, and automotives areas.

We are looking forward to setting up business relationship with you and hope to provide you with the best service and solution. Let us make a better world for our industry!



Contact us

Tel: +86-755-8981 8866 Fax: +86-755-8427 6832

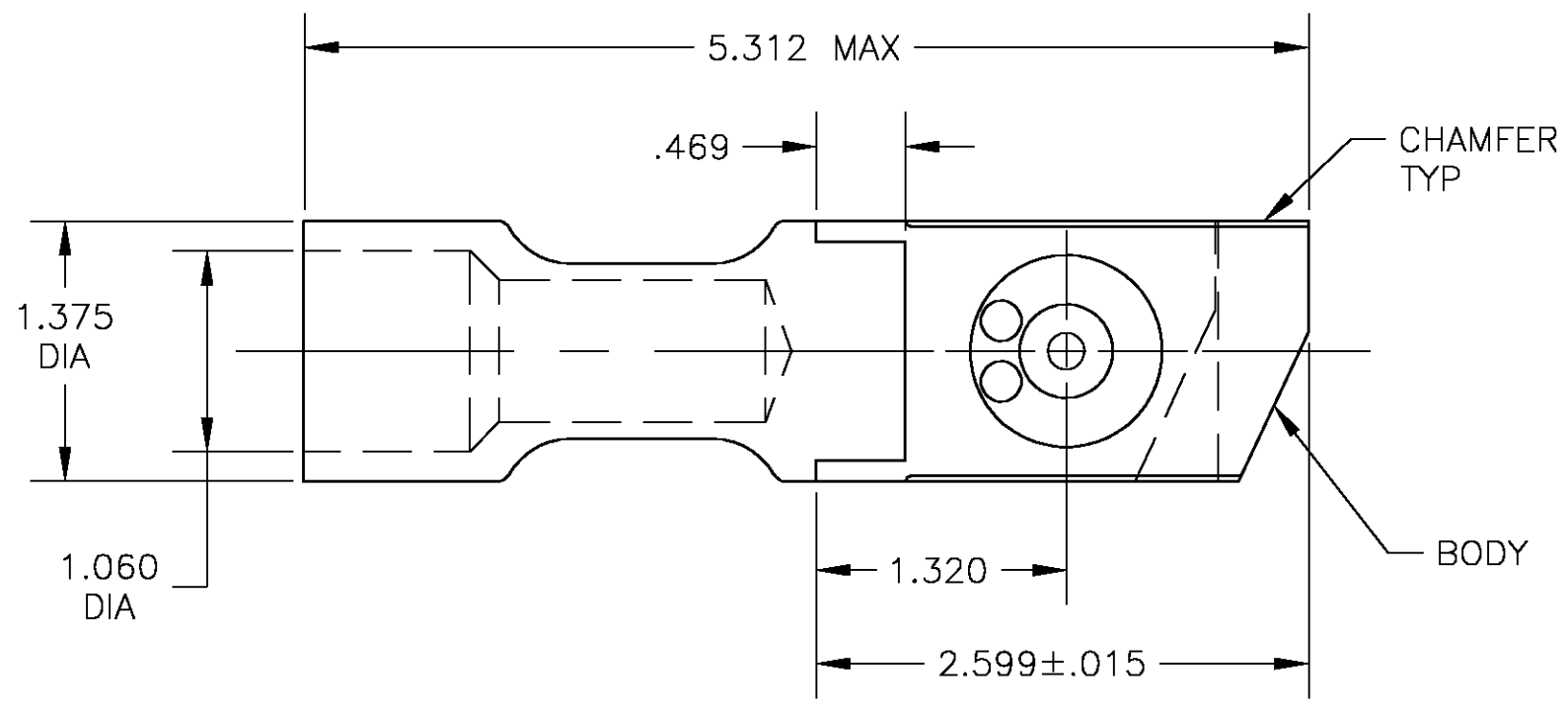
Email & Skype: info@chipsmall.com Web: www.chipsmall.com

Address: A1208, Overseas Decoration Building, #122 Zhenhua RD., Futian, Shenzhen, China

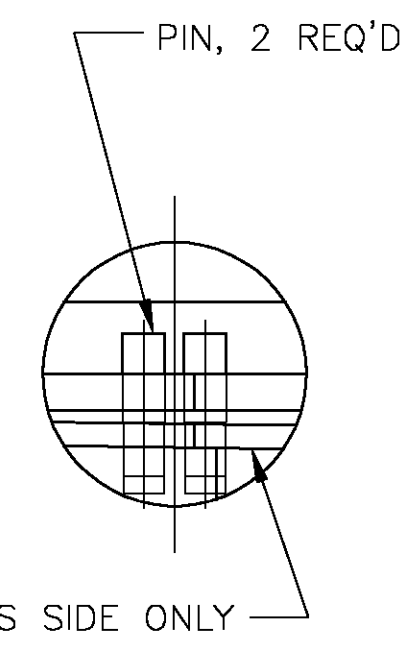
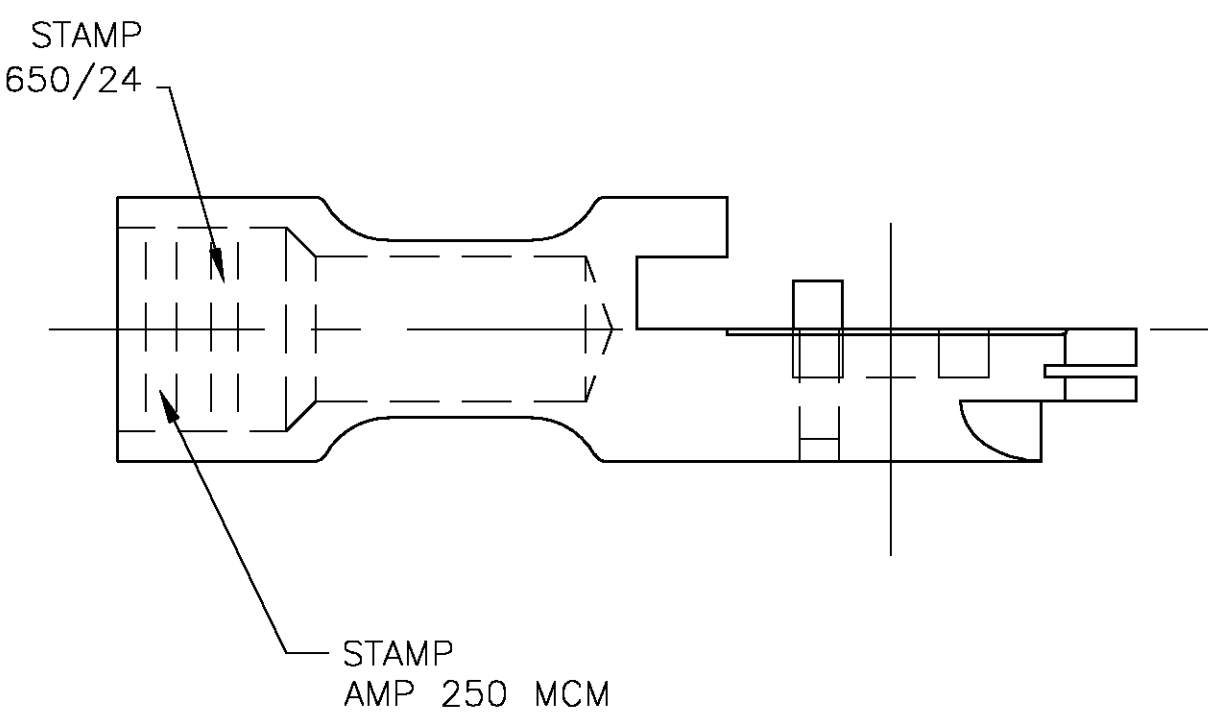


THIS DRAWING IS UNPUBLISHED. RELEASED FOR PUBLICATION
 © COPYRIGHT BY TYCO ELECTRONICS CORPORATION. ALL RIGHTS RESERVED.

LOC	DIST	REVISIONS			
P	LTR	DESCRIPTION	DATE	DWN	APVD
G	14	H	REV PER 0G3A-0356-04	10MAY04	JR MS



- 1 MATERIAL:
BODY & PIN: BRASS PER ASTM B36
- 2 FINISH:
BODY & PIN: .000100 MIN SILVER PLATE PER QQ-S-365.



53446-1
PART NO

THIS DRAWING IS A CONTROLLED DOCUMENT.		DWN jr_ruth 10MAY04	Tyco Electronics Corporation Harrisburg, PA 17105		
DIMENSIONS: INCHES		CHK M SPICER 10MAY04			
TOLERANCES UNLESS OTHERWISE SPECIFIED:		APVD M SPICER 10MAY04	NAME AMPOWER, QUICK-DISCONNECT WIRE SIZE: 250 MCM		
		PRODUCT SPEC	SIZE A3		
MATERIAL SEE NOTES		FINISH SEE NOTES	CAGE CODE 00779	DRAWING NO C-53446	RESTRICTED TO -
		APPLICATION SPEC	SCALE 1:1		
		WEIGHT -	SHEET 1 OF 1		
		CUSTOMER DRAWING	REV H		