



Chipsmall Limited consists of a professional team with an average of over 10 year of expertise in the distribution of electronic components. Based in Hongkong, we have already established firm and mutual-benefit business relationships with customers from,Europe,America and south Asia,supplying obsolete and hard-to-find components to meet their specific needs.

With the principle of “Quality Parts,Customers Priority,Honest Operation,and Considerate Service”,our business mainly focus on the distribution of electronic components. Line cards we deal with include Microchip,ALPS,ROHM,Xilinx,Pulse,ON,Everlight and Freescale. Main products comprise IC,Modules,Potentiometer,IC Socket,Relay,Connector.Our parts cover such applications as commercial,industrial, and automotives areas.

We are looking forward to setting up business relationship with you and hope to provide you with the best service and solution. Let us make a better world for our industry!



Contact us

Tel: +86-755-8981 8866 Fax: +86-755-8427 6832

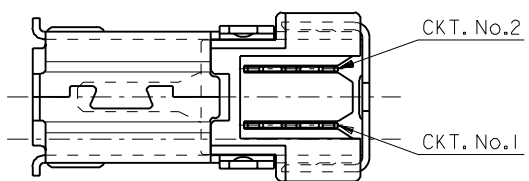
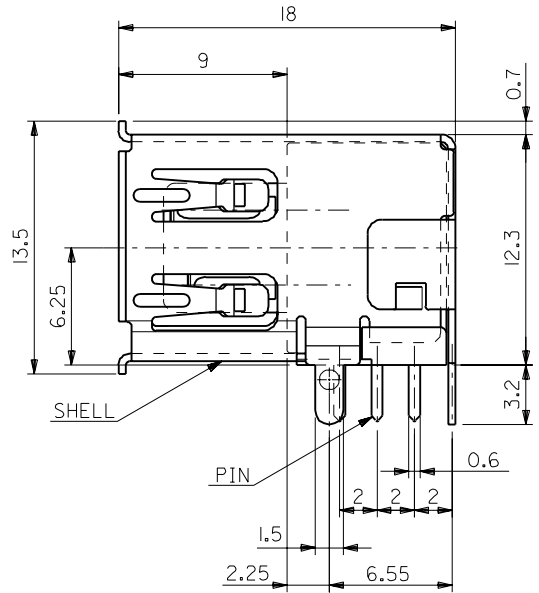
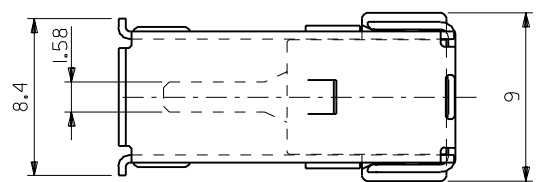
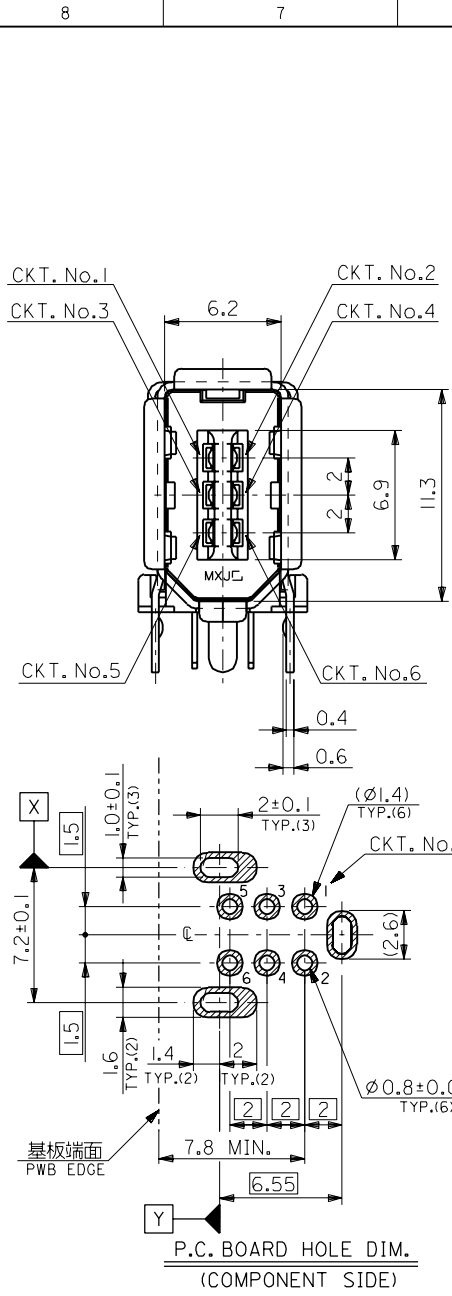
Email & Skype: info@chipsmall.com Web: www.chipsmall.com

Address: A1208, Overseas Decoration Building, #122 Zhenhua RD., Futian, Shenzhen, China

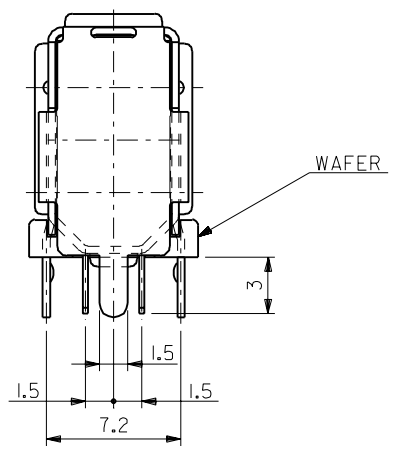


DWG. NO. SD-53460-0611

MM DIMENSIONS IN METRIC DO NOT SCALE DRAWING



部品名 PARTS NAME	材質 MATERIAL	注記 NOTES
ウエハー WAFER	ガラス入り46ナイロン NYLON46 G.F.	G.F.30%, UL94V-0, 色:黒 G.F.30%, UL94V-0, COLOR:BLACK
ピン PIN	黄銅 t0.25 BRASS t0.25	接点部 : 金メッキ0.76µmMIN. CONTACT AREA : GOLD 0.76µmMIN. 半田付け部 : 半田メッキ3µmMIN. SOLDER TAIL AREA : TIN-LEAD 3µmMIN. 下地メッキ : ニッケルメッキ2µmMIN. UNDER-PLATING : NICKEL 2µmMIN.
シェル SHELL	りん青銅 t0.4 PHOSPHOR BRONZE t0.4	半田メッキ : 3~6µm TIN-LEAD : 3~6µm 下地メッキ : ニッケルメッキ1.27µmMIN. UNDER-PLATING : NICKEL 1.27µmMIN.



角度 ANGLE	公差 TOLERANCE	記号 LTR	変更内容 REVISION RECORD	DR. DATE	CHK. DATE	APP'D BY	CHK'D BY	材料 MATERIAL	表参照 SEE TABLE
30以上 OVER	+3	D	変更 REVISION (J071114)	G.A.	A.N.	97/03/14		仕上げ FINISH	表参照 SEE TABLE
10以上 30未満 OVER UNDER	+0.25	C	変更 REVISION (J071066)	G.A.	A.N.	97/03/08		適用電線範囲 WIRE RANGE	---
10未満 UNDER	+0.2	B	変更 REVISION (J060556)	G.A.	J.M.	96/10/25		被覆外径 INS. RANGE	---
新規作成 RELEASED		A	新規作成 RELEASED (150530)	J.M.	Y.i	95/06/15		DRAWN BY	S. Akizawa
公差 GENERAL TOLERANCES		O	新規作成 RELEASED (140979)	G.A.	J.M.	94/12/21		CHK'D BY	Y. Ota
								APP'D BY	S. Akizawa
								尺度 SCALE	4-1

MOLEX-JAPAN CO.,LTD. 日本モレックス株式会社	
REVISE ONLY ON CAD SYSTEM	
TITLE 名称 2.0 I/O CONN. SOCKET RIGHT-ANGLE UPRIGHT	
DWG. NO. SD-53460-0611	REV D

THIS DRAWING CONTAINS INFORMATION THAT IS PROPRIETARY TO MOLEX(JAPAN) AND SHOULD NOT BE USED WITHOUT WRITTEN PERMISSION
本図面は日本モレックス(株)の所有する情報を含むので 当社の許可なく複製を禁止する。 EN-01(C032)MXJ-32