



Chipsmall Limited consists of a professional team with an average of over 10 year of expertise in the distribution of electronic components. Based in Hongkong, we have already established firm and mutual-benefit business relationships with customers from,Europe,America and south Asia,supplying obsolete and hard-to-find components to meet their specific needs.

With the principle of “Quality Parts,Customers Priority,Honest Operation,and Considerate Service”,our business mainly focus on the distribution of electronic components. Line cards we deal with include Microchip,ALPS,ROHM,Xilinx,Pulse,ON,Everlight and Freescale. Main products comprise IC,Modules,Potentiometer,IC Socket,Relay,Connector.Our parts cover such applications as commercial,industrial, and automotives areas.

We are looking forward to setting up business relationship with you and hope to provide you with the best service and solution. Let us make a better world for our industry!



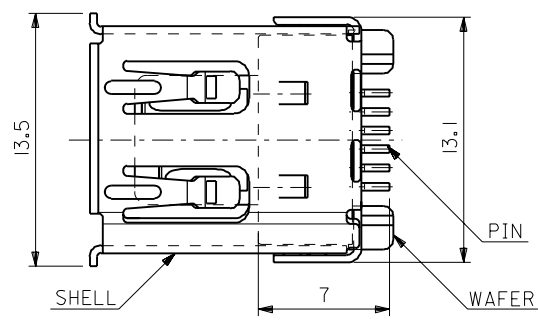
Contact us

Tel: +86-755-8981 8866 Fax: +86-755-8427 6832

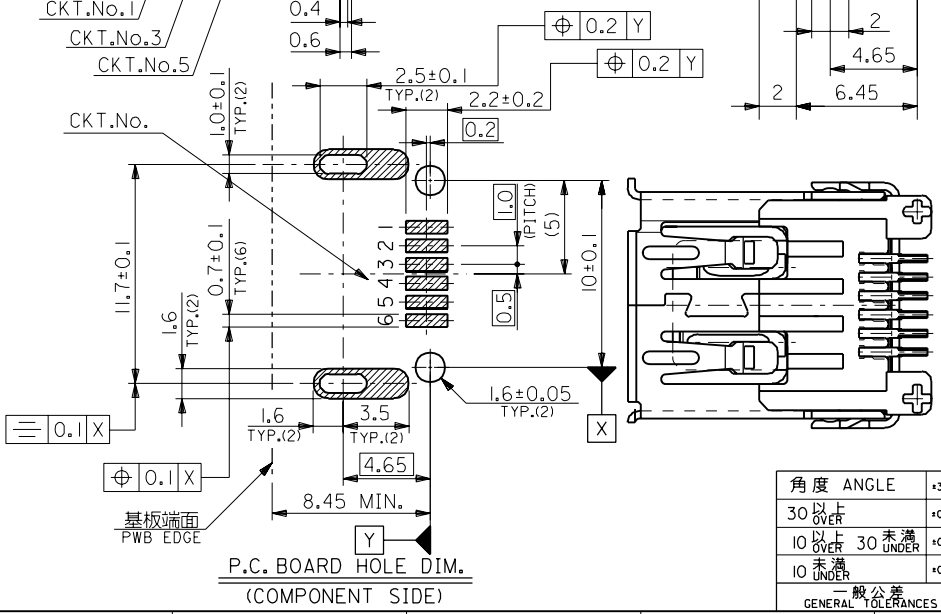
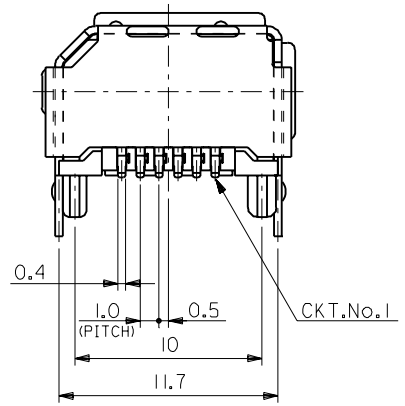
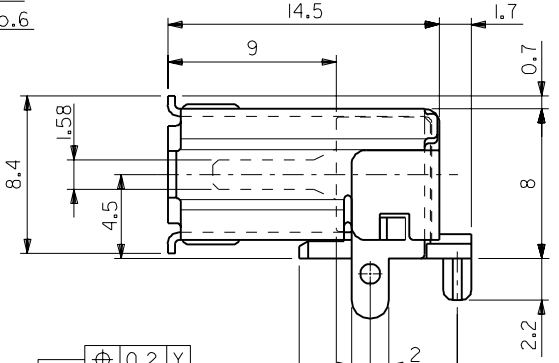
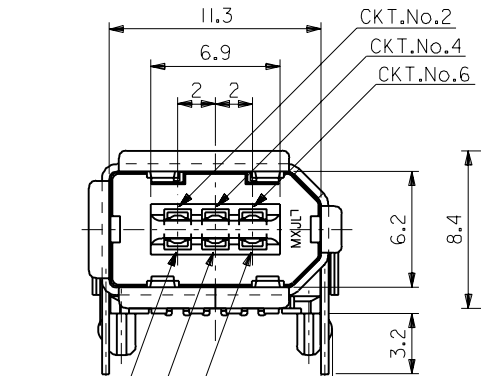
Email & Skype: info@chipsmall.com Web: www.chipsmall.com

Address: A1208, Overseas Decoration Building, #122 Zhenhua RD., Futian, Shenzhen, China





部品名 PARTS NAME	材質 MATERIAL	注記 NOTES
ウエハー WAFER	ガラス入り46ナイロン NYLON46 G.F.	G.F.30%, UL94V-0, 色:黒 G.F.30%, UL94V-0, COLOR:BLACK
ピン PIN	黄銅 t0.25 BRASS t0.25	接点部:金メッキ0.76µmMIN. CONTACT AREA:GOLD 0.76µmMIN. 半田付け部:半田メッキ3µmMIN. SOLDER TAIL AREA:TIN-LEAD 3µmMIN. 下地メッキ:ニッケルメッキ2µmMIN. UNDER-PLATING:NICKEL 2µmMIN.
シェル SHELL	りん青銅 t0.4 PHOSPHOR BRONZE t0.4	半田メッキ:3~6µm TIN-LEAD:3~6µm 下地メッキ:ニッケルメッキ1.27µmMIN. UNDER-PLATING:NICKEL 1.27µmMIN.



角度 ANGLE	公差
30°以上 OVER	+3°
10°以上 30°未満 OVER	+0.25
10°未満 UNDER	+0.2

記号 LTR	変更内容 REVISION RECORD	DR. CHK.	日付 DATE	APP'D BY DATE	尺度 SCALE
D	変更 (J071114)	G.A.	97/03/14		
C	変更 (J071066)	G.A.	97/03/06		
B	変更 (J060556)	G.A.	96/01/25		
A	変更 (150530)	J.M.	95/06/15		
O	新規作成 RELEASED (140979)	G.A.	94/12/21		

材料 MATERIAL	表参照 SEE TABLE
仕上げ FINISH	表参照 SEE TABLE
適用電線範囲 WIRE RANGE	---
被覆外径 INS. RANGE	---

MOLEX-JAPAN CO.,LTD.
 日本モレックス株式会社
REVISE ONLY ON CAD SYSTEM
 TITLE 名称
 2.0 I/O CONN. SOCKET
 RIGHT-ANGLE FLAT
 DWG. NO. SD-53462-0611
 REV D