



Chipsmall Limited consists of a professional team with an average of over 10 year of expertise in the distribution of electronic components. Based in Hongkong, we have already established firm and mutual-benefit business relationships with customers from,Europe,America and south Asia,supplying obsolete and hard-to-find components to meet their specific needs.

With the principle of "Quality Parts,Customers Priority,Honest Operation,and Considerate Service",our business mainly focus on the distribution of electronic components. Line cards we deal with include Microchip,ALPS,ROHM,Xilinx,Pulse,ON,Everlight and Freescale. Main products comprise IC,Modules,Potentiometer,IC Socket,Relay,Connector.Our parts cover such applications as commercial,industrial, and automotives areas.

We are looking forward to setting up business relationship with you and hope to provide you with the best service and solution. Let us make a better world for our industry!



Contact us

Tel: +86-755-8981 8866 Fax: +86-755-8427 6832

Email & Skype: info@chipsmall.com Web: www.chipsmall.com

Address: A1208, Overseas Decoration Building, #122 Zhenhua RD., Futian, Shenzhen, China



DRAWING MADE IN THIRD ANGLE PROJECTION

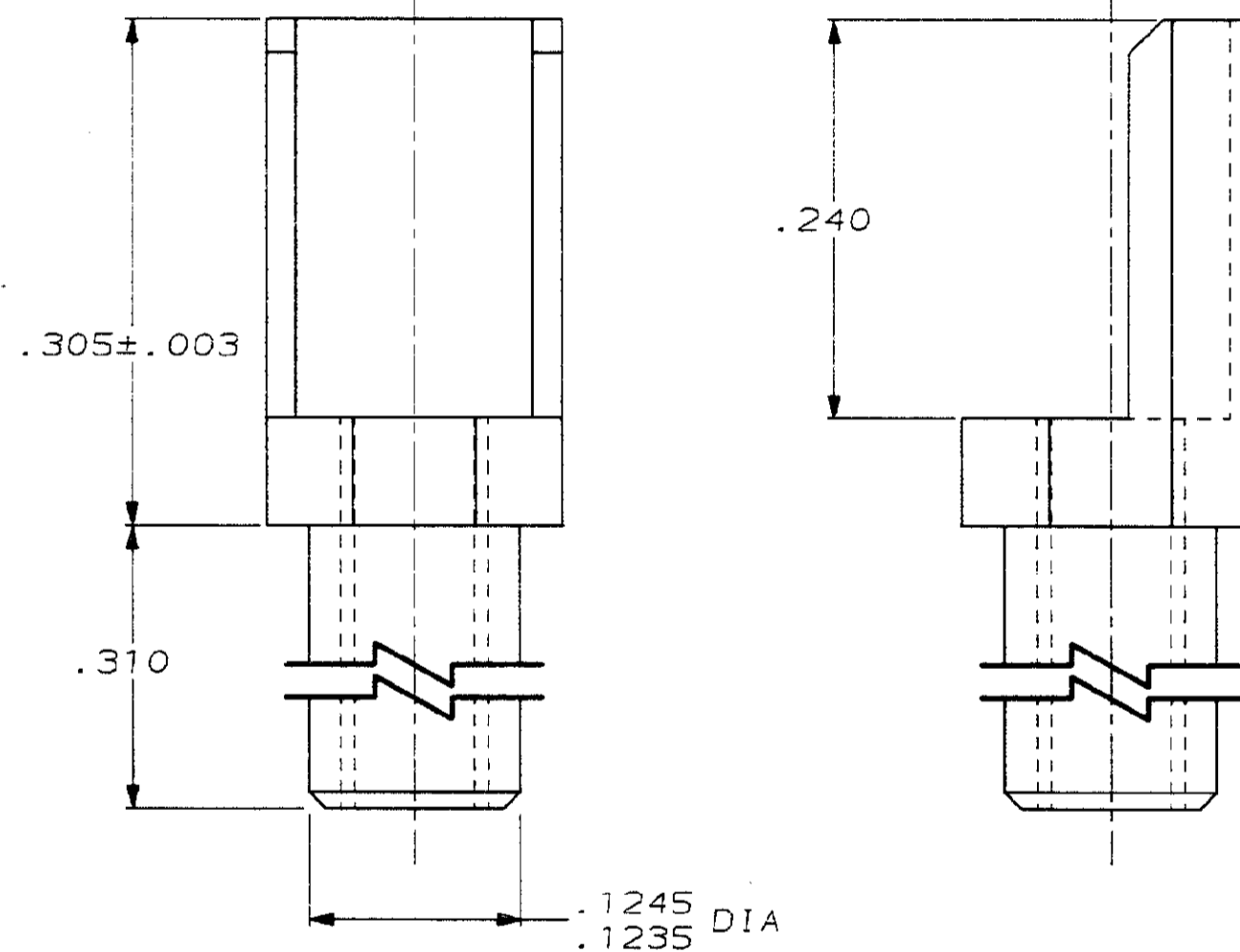
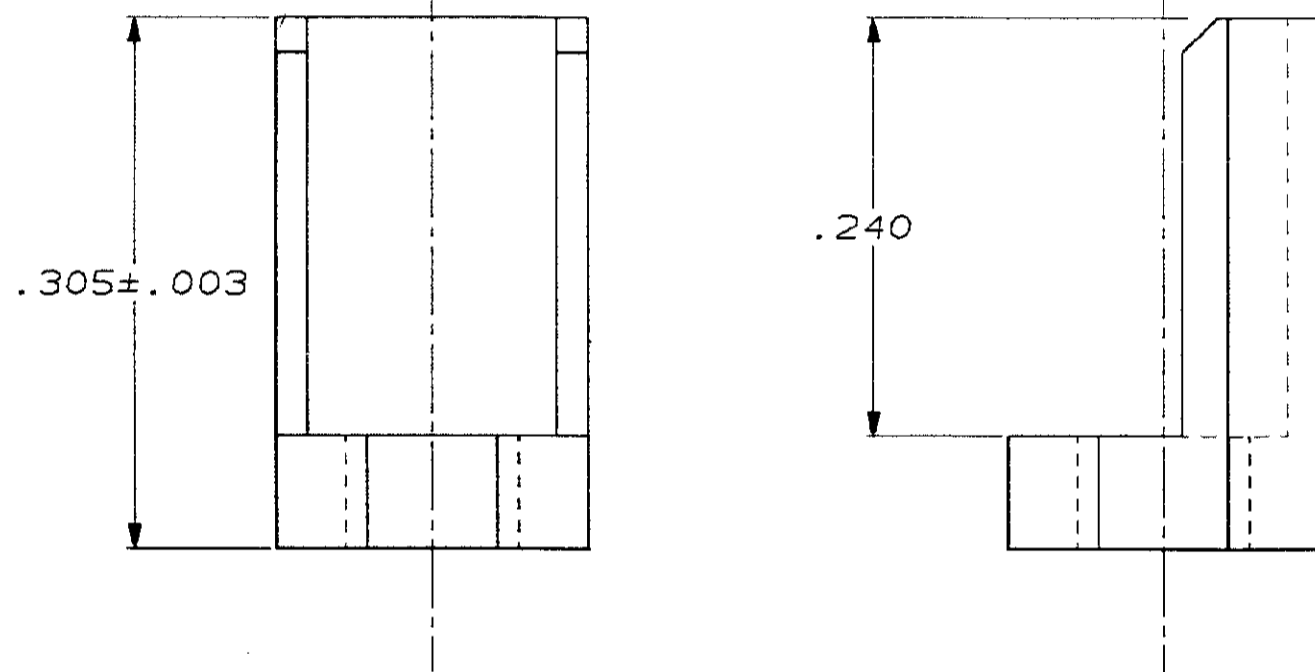
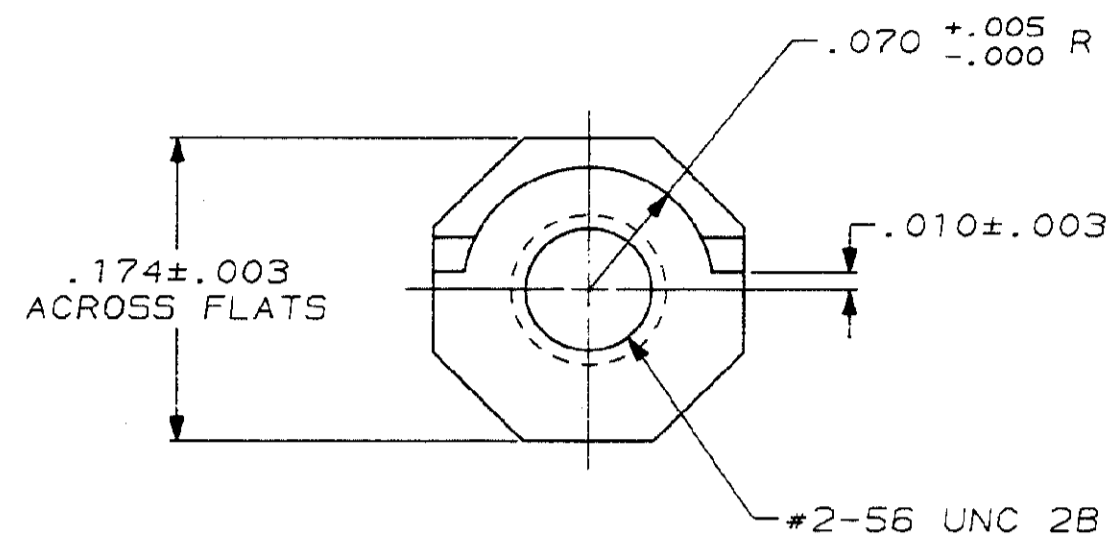
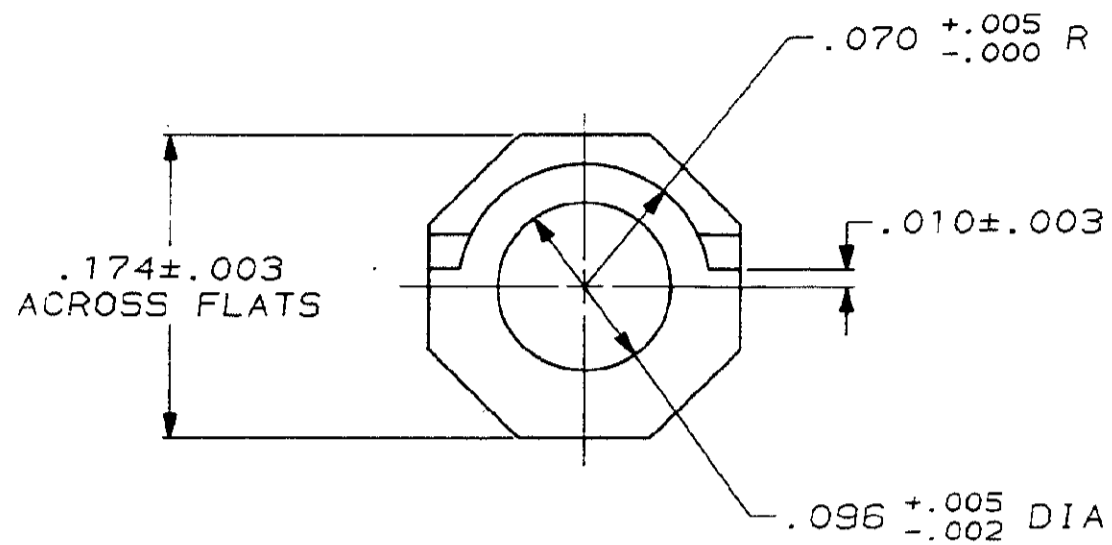
3

2

LOC DIST
AB 4

THIS DRAWING IS UNPUBLISHED. RELEASED FOR PUBLICATION
 © COPYRIGHT 19 BY AMP INCORPORATED, HARRISBURG, PA. ALL INTERNATIONAL RIGHTS RESERVED. AMP PRODUCTS MAY BE COVERED BY U.S. AND FOREIGN PATENTS AND/OR PATENTS PENDING.

REVISIONS						
P	F	ZONE	LTR	DESCRIPTION	DATE	APPROVED
✓	✓		0	WAS 86-5485-020	10/06/86	KEW



534763-1 AS SHOWN
TYPE 1

534763-3 AS SHOWN
TYPE 2

PROTOTYPE STATUS
PACOM DEVELOPMENT ENGINEERING

UNLESS OTHERWISE SPECIFIED DIMENSIONS ARE IN INCHES. TOLERANCES ON: DECIMALS ±.005 ANGLES ±		CONTRACT NO		PART NO	
MATERIAL STAINLESS STEEL PER QQ-S-763 CLASS 303		DR <i>QBH</i>		AMP INCORPORATED Harrisburg, Pa.	
FINISH PASSIVATED PER QQ-P-35		CHK <i>DJM</i> 10-9-86		NAME HDI SERIES 25, EXTERNAL KEY	
		APPD <i>DJM</i> 10-9-86		DRAWING NO 534763	
		DSGN APPD		SIZE C FSCM NO 00779	
		OTHER APPD		DRAWING NO 534763	
				SCALE 10:1 SHEET 1 of 1	