



Chipsmall Limited consists of a professional team with an average of over 10 year of expertise in the distribution of electronic components. Based in Hongkong, we have already established firm and mutual-benefit business relationships with customers from,Europe,America and south Asia,supplying obsolete and hard-to-find components to meet their specific needs.

With the principle of “Quality Parts,Customers Priority,Honest Operation,and Considerate Service”,our business mainly focus on the distribution of electronic components. Line cards we deal with include Microchip,ALPS,ROHM,Xilinx,Pulse,ON,Everlight and Freescale. Main products comprise IC,Modules,Potentiometer,IC Socket,Relay,Connector.Our parts cover such applications as commercial,industrial, and automotives areas.

We are looking forward to setting up business relationship with you and hope to provide you with the best service and solution. Let us make a better world for our industry!



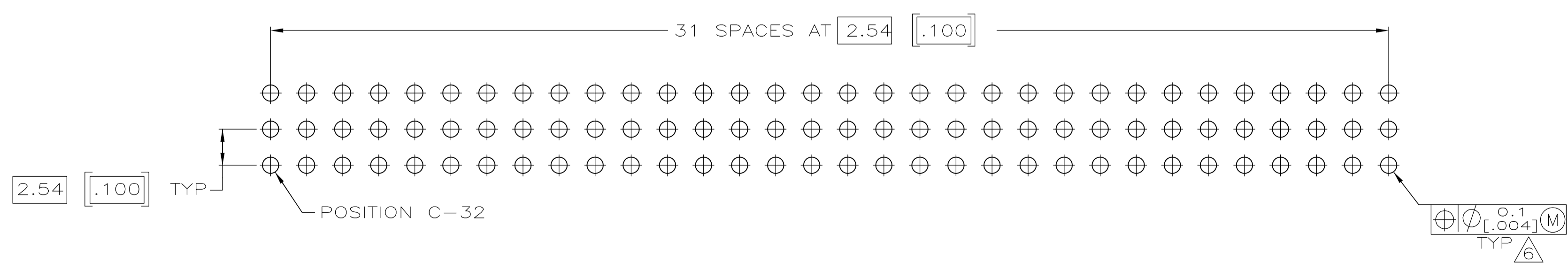
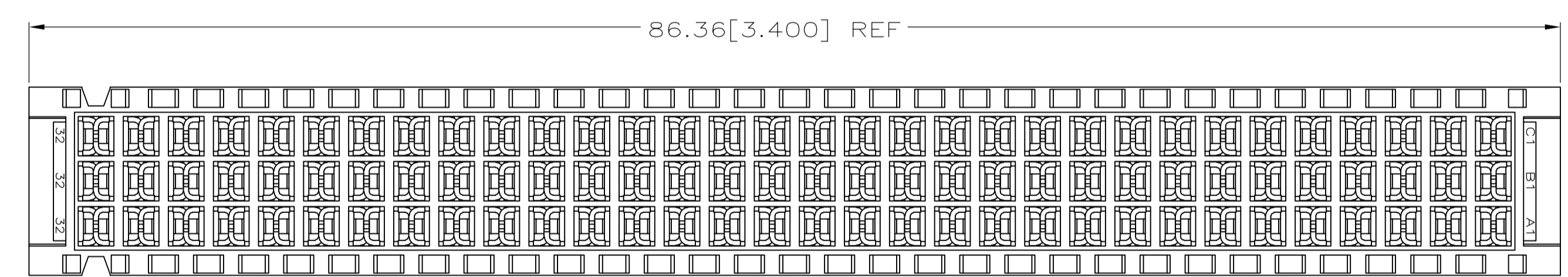
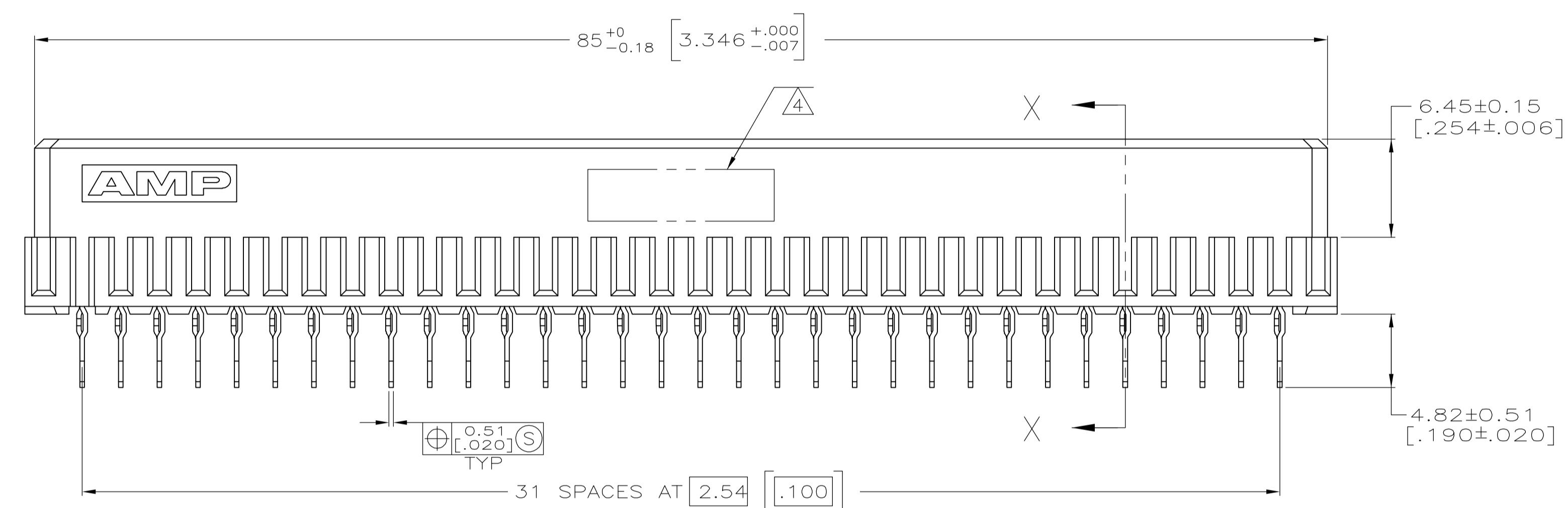
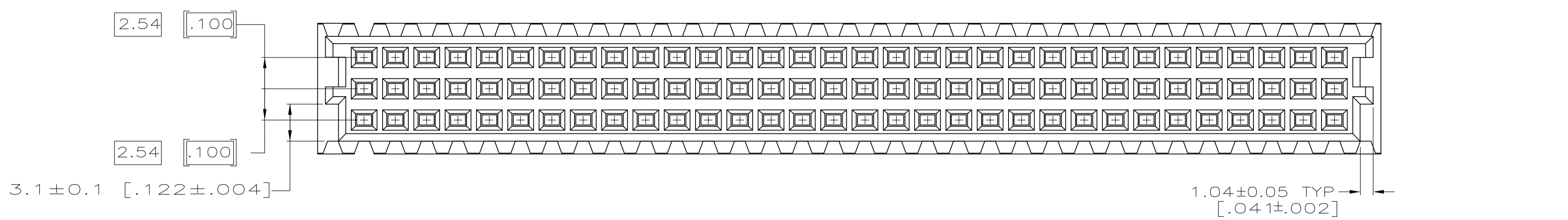
## Contact us

Tel: +86-755-8981 8866 Fax: +86-755-8427 6832

Email & Skype: info@chipsmall.com Web: www.chipsmall.com

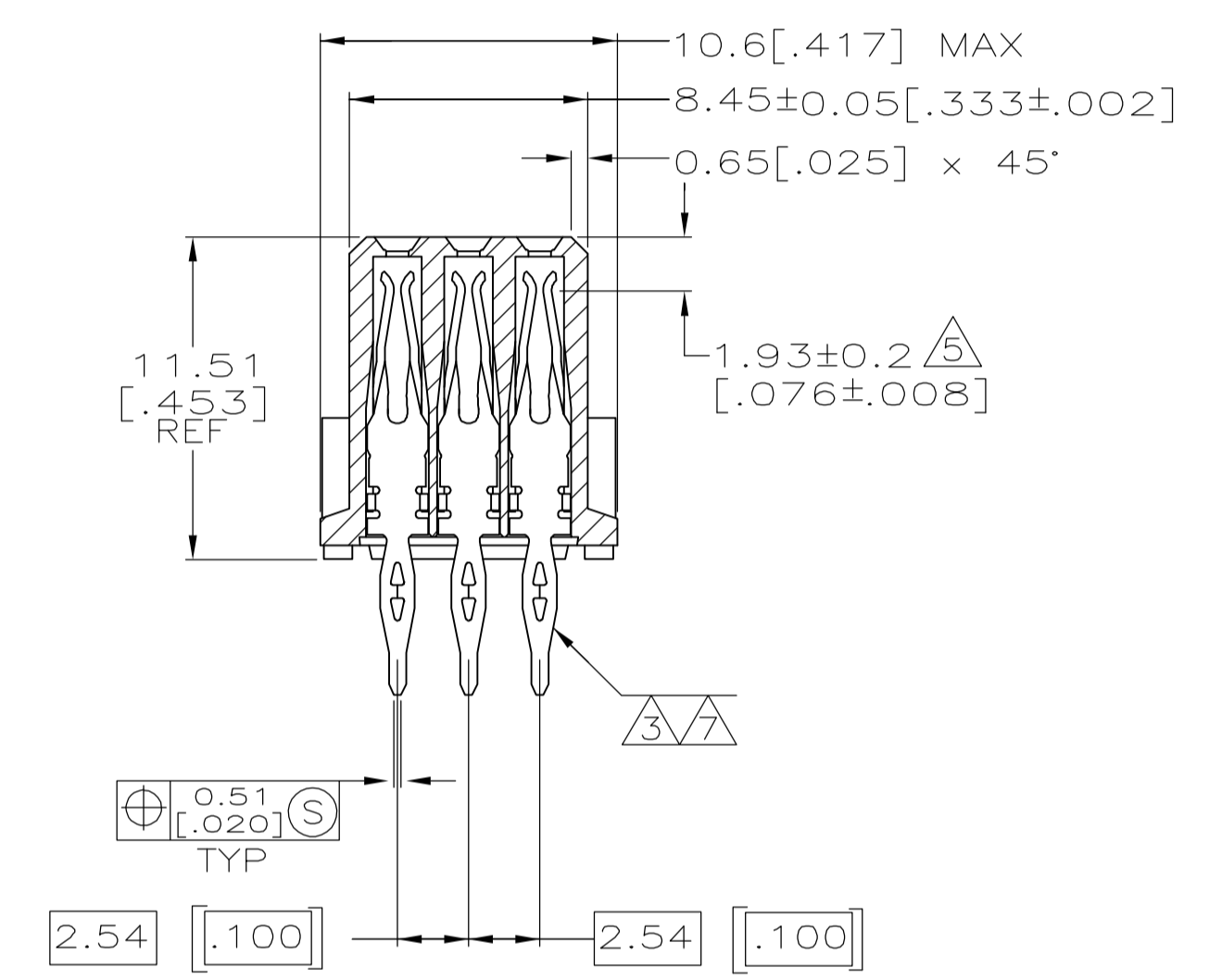
Address: A1208, Overseas Decoration Building, #122 Zhenhua RD., Futian, Shenzhen, China





PC BOARD LAYOUT

- △ HOUSING MATERIAL: GLASS-FILLED POLYESTER. COLOR: GRAY.
- △ CONTACT MATERIAL: PHOSPHOR BRONZE.
- △ CONTACT FINISH: 0.00076[.000030] GOLD IN CONTACT AREA. 0.00127[.000050] NICKEL UNDERPLATE ALL OVER. TIN-LEAD ON POSTS.
- △ PART NUMBER, DATE CODE IDENTIFICATION, CSA LOGO HOT-STAMPED IN THIS APPROXIMATE AREA.
- △ POINT OF MEASUREMENT FOR GOLD.
- △ ACTION PIN POSTS REQUIRE 1.57[.062] MIN THICK PC BOARD. RECOMMENDED PC BOARD HOLES ARE Ø1.151±0.02 [.0453±.001] DRILLED HOLE WITH 0.02-0.07[.001-.003] COPPER AND 0.008[.0003] MIN TIN-LEAD PLATING. FINISHED HOLE AFTER PLATING, Ø0.94-1.09 [.037-.043].
- △ CONTACT FINISH: DIN 41612 CLASS 2 IN CONTACT AREA. TIN-LEAD ON POSTS.



SECTION X-X

OBSOLETE	1 THRU 32	X	X	X	96	535056-5
	1 THRU 32	X	X	X	96	535056-4
POSITIONS LOADED		C	B	A	NO. OF LOADED POSITIONS	ASSY PART NUMBER
		ROWS LOADED				

THIS DRAWING IS A CONTROLLED DOCUMENT.		DIN	L. BRINER	3/30/89	Tyco Electronics Corporation Harrisburg, PA 17105-3608
DIMENSIONS: mm [INCHES]		CHK	R. PATTERSON	1/18/96	
TOLERANCES UNLESS OTHERWISE SPECIFIED:		APVD	R. PATTERSON	1/18/96	NAME
0 PLC	± -	PRODUCT SPEC		ASSEMBLY, RECEPTACLE EUROCARD, TOOLLESS PRESSFIT, 96 POSITION WITHOUT MOUNTING EARS	
1 PLC	± -	APPLICATION SPEC		SIZE	CAGE CODE
2 PLC	± -	MATERIAL		A1	00779
3 PLC	± 0.13[.005]	FINISH		SCALE	4:1
4 PLC	± -	WEIGHT		SHEET	1 OF 1
ANGLES	± -	CUSTOMER DRAWING		REV	G